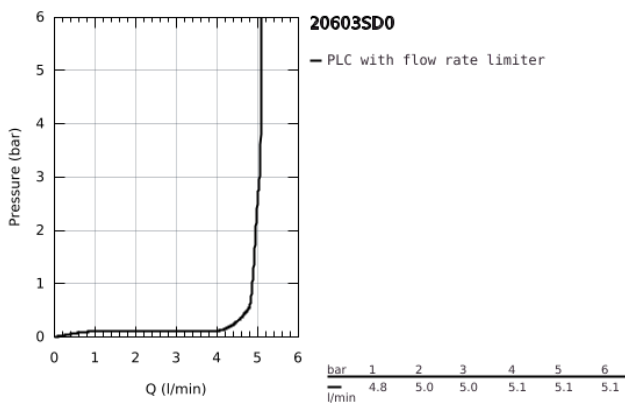
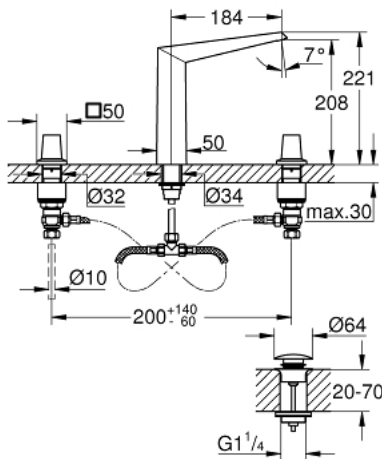


20 603 SD0 ALLURE BRILLIANT ICON 3D 3-HOLE DECK-MOUNT BASIN MIXER

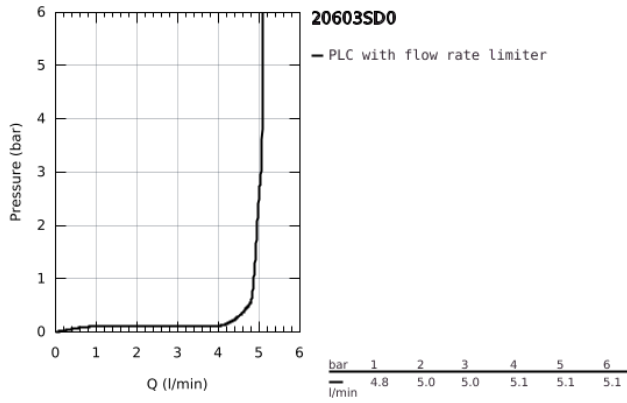


PRODUCT DESCRIPTION

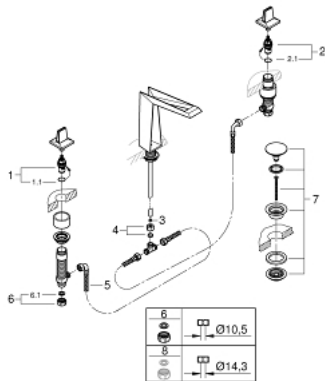
- Colour: stainless steel
- GROHE Water Saving 5.0 l/min. flow limiter
- spout with integrated mousseur
- red and blue markings on handles for hot and cold water
- valves hot/cold with ceramic headparts
- Push-open waste set 1 1/4"
- pressure-proof, flexible connection hoses between spout and side valves
- technical data
- flow pressure min 0.5 bar
- recommended pressure 1.0 - 5.0 bar
- if static pressure is more than 5 bar fit pressure reducer
- avoid major pressure differences between cold and hot water supply
- flow rate at 3 bar flow pressure: approx. 5 l/min
- max. temperature hot water inlet: 80°C
- recommended temperature hot water inlet (energy saving): 60°C



20 603 SD0 ALLURE BRILLIANT ICON 3D 3-HOLE DECK-MOUNT BASIN MIXER



20 603 SD0 ALLURE BRILLIANT ICON 3D 3-HOLE DECK-MOUNT BASIN MIXER



SPARE PARTS, September 2018 – now

- 1: Ceramic headpart, 1/2" (Spare part-nr. 45882000)
 - 1.1: O-Ring Ø18,2 x Ø1,7 (Spare part-nr. 0392400M)
 - 2: Ceramic headpart, 1/2" (Spare part-nr. 45883000)
 - 2.1: O-Ring Ø18,2 x Ø1,7 (Spare part-nr. 0392400M)
 - 3: Flow limiter (Spare part-nr. 48160000)
 - 4: Compression union 3/8" (Spare part-nr. 12914000)
 - 5: Flexible connection hose (Spare part-nr. 45704000)
 - 6: Coupling nut 1/2" x 10.5 mm (Spare part-nr. 1290100M)
 - 6.1: Fibre seal dia. Ø 18,5 x Ø 12 x 2 (Spare part-nr. 0138900M)
 - 7: Waste set with push-open plug (Spare part-nr. 65807000)
 - 8: Coupling nut 1/2" x 14.5 mm (Spare part-nr. 1290200M)*
- * Optional accessories