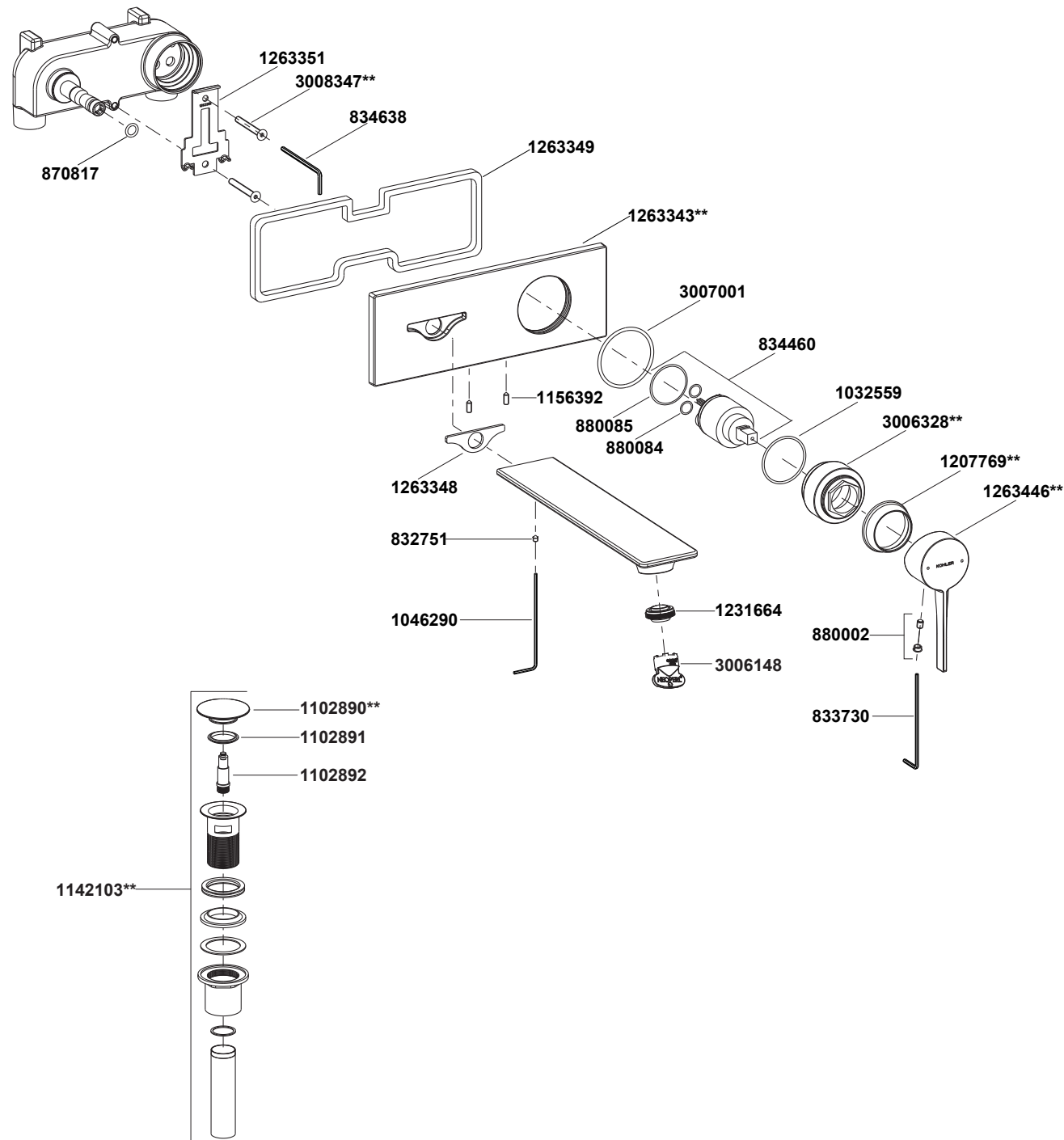


76695T-4 Wall Mount Lavatory Faucet(Mini)



**Color code must be specified when ordering.
NOTE: For all Asia pacific regions (excluding China) add SP (SPxxxxxx**) in front of the part number when ordering.

76695T-4 Wall Mount Lavatory Faucet(Mini)

BEFORE YOU BEGIN

All information is based on the latest product information available at the time of publication. Kohler Co. reserves the right to make changes in product characteristics, packaging, or availability at any time without notice.

Please leave these instructions for the consumer. They contain important information.

NOTES:

1. Flush the water supply pipes thoroughly to remove debris.
2. Inspect the supply tubing for damage. Replace as necessary.
3. Observe local plumbing codes.
4. Check for leaks before covering the pipes, repairs as needed.
5. **Inlet threads of body are Rc1/2".**
6. Please ensure only apply water pressure test on the product, and empty the air in pipe and faucet thoroughly before the test. Please ensure test pressure below 0.8MPa (8 bar) and test duration within 30 minutes.

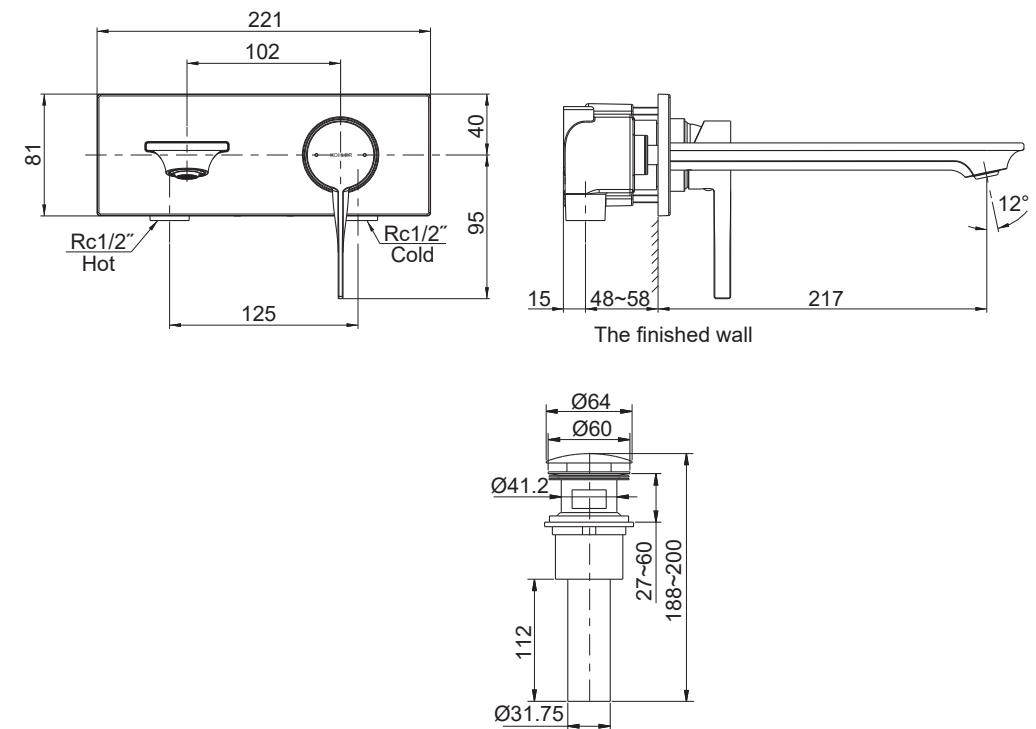
HANDLE OPERATION

Lift the handle gently, turn left for hot water, right for cold water.

STANDARD APPLICABLE

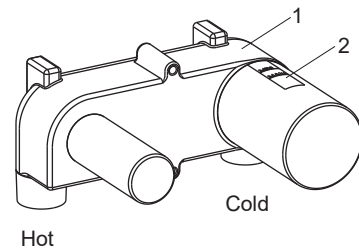
Special model meets or exceeds the following at date of manufacture: TIS

ROUGH-IN DIMENSIONS



INSTALLATION

How to Install the Body



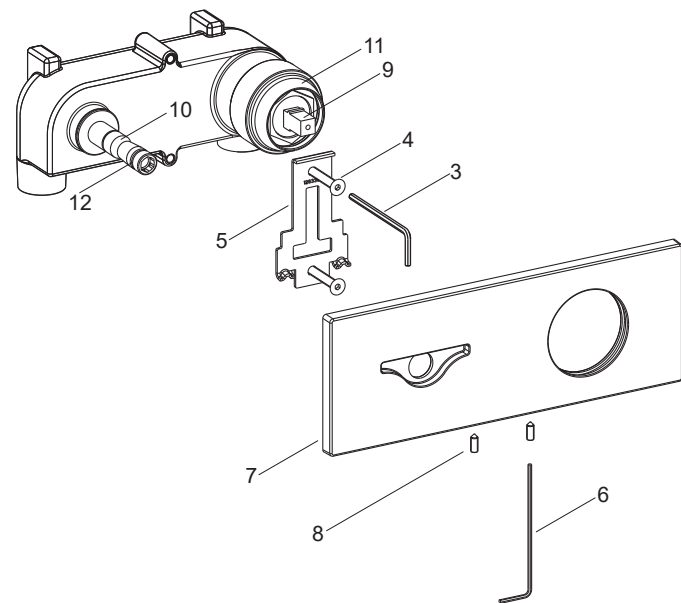
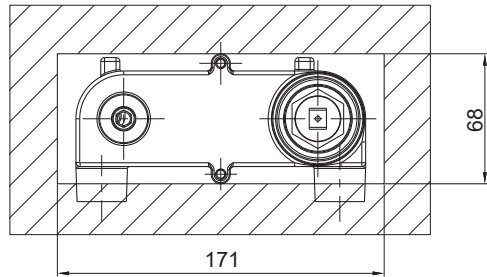
Determine where the valve body(1) will be located on the wall. Be sure the protectors(2) face front and inlet of the valve body with red mark is on the left.

The out surface of the finished wall should be between the MAX and MIN marks on the protectors(2). The size of opening in finished wall is as figure shown.

NOTE: Ensure the centerline of valve is perpendicular to the wall, the up plane of valve body is level.

Connect Rc1/2" hot and cold supplies to the body. Connect hot supply to the left with red mark.

During installation, the protectors remain on the valve body.



How to Install the Handle and Spout

Remove the protectors after the wall is finished.

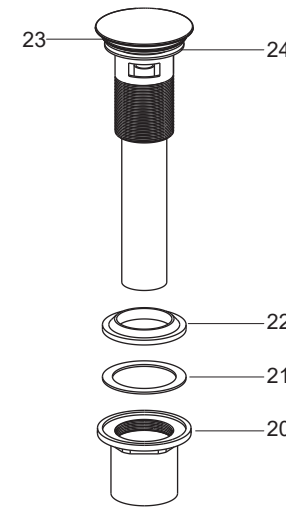
Tighten the screws(4) with 3mm hex wrench(3) to secure the mounting plate(5) until it is against the wall.

Loosen the screws(8) on the faceplate(7) with 2mm hex wrench(6). Slide the faceplate kit through the connector(10) and bonnet(11) until they are against the wall. **NOTE:** Don't damage the o-ring (12) on the connector. Tighten the screws to secure the faceplate kit.

Slide the washer(13) into the groove on the faceplate kit. Loosen the screw(19) on the spout(14) with 2mm hex wrench(6). Slide the spout onto the connector with its outlet downwards. Tighten the screw to secure the spout.

Ensure the valve(9) is closed, and loosen the screw(15) in the handle with 2.5mm hex wrench(18). Install the handle(16) onto the valve body with it downwards. Tighten the screw. Press the plug button(17) into the hole.

How to Install the Drain

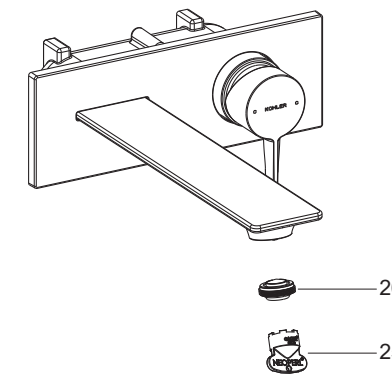


Remove the locknut(20), plastic washer(21) and the rubber gasket(22) from the drain body. Insert the drain body into the lavatory. Install the rubber gasket (Tapered side up), plastic washer and locknut back to the drain body in turn. Tighten the locknut.

NOTE: If needed, apply a ring of plumbers putty or other sealants around the underside of the drain flange(23), instead of using rubber washer(24).

Do not reposition the drain after the locknut is tightened, or you may break the putty or sealant seal.

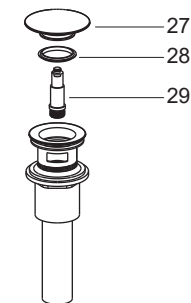
INSTALLATION CHECKOUT



Ensure that all coupling nuts are tight. Ensure that the handle is in the off position.

Turn on the drain and main water supply, and check for leaks. Repair as needed.

Remove the aerator assembly(26) with the key(25) provided. Turn on faucet handle. Run hot and cold water through spout about one minute to remove any debris. Check for leaks at this time. Remove any debris from the aerator assembly. Shut off the faucet. Reinstall the aerator assembly.



Replacing the Washer and Piston Kit

Turn counterclockwise to remove the stopper(27). Take out washer(28). Replace with a new one. Turn counter-clockwise to remove the piston kit(29). Replace with a new one. Reinstall stopper and washer.

CLEANING INSTRUCTIONS

All Finishes: Clean the finish with mild soap and warm water. Wipe entire surface completely dry with clean soft cloth. Many cleaners may contain chemicals, such as ammonia, chlorine, toilet cleaner etc, which could adversely affect the finish and are not recommended for cleaning.

Do not use abrasive cleaners or solvents on Kohler faucets and fittings.