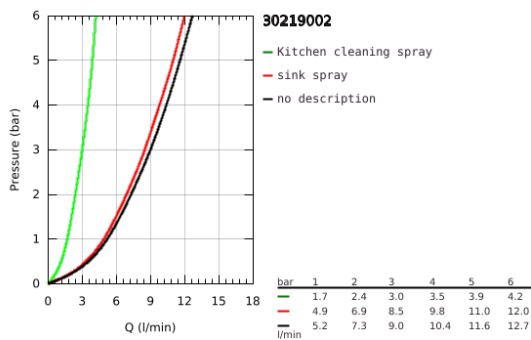
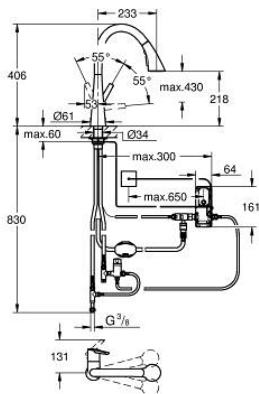


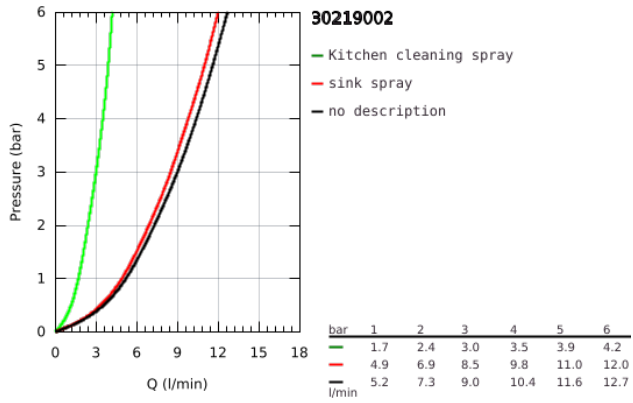
30 219 002 ZEDRA TOUCH ELECTRONIC SINGLE-LEVER SINK MIXER 1/2"



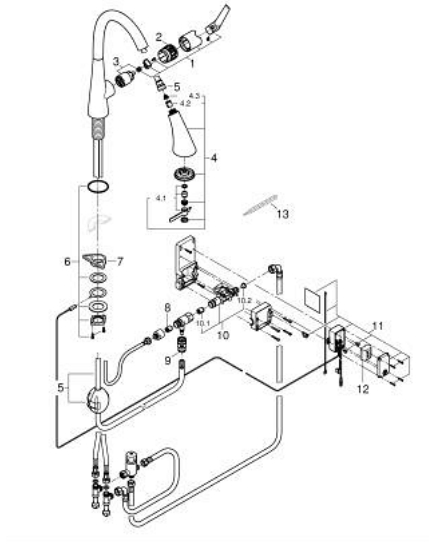
PRODUCT DESCRIPTION

- Colour: Chrome
- Touch: activation of water via skin contact
- battery supply 6 V lithium-battery, type CR-P2
- CE approved
- solenoid valve
- fixed value mixing valve
- automatically stops after 60 sec. (factory set)
- type of protection IP 44
- GROHE Long-Life finish
- GROHE SilkMove 35 mm ceramic cartridge
- Lead and Nickel Free Inner Water Ways
- GROHE Magnetic Docking guarantees easy retraction and smooth docking of the spray head back to the starting position
- pull-out spray with 3 spray types
- diverter: laminar spray/SpeedClean shower jet/GROHE Blade spray (reduced water consumption by up to 70 % and even stronger spray performance)
- stop function - pause button to stop the water flow
- automatic return to laminar spray
- adjustable flow rate limiter
- swivel tubular spout
- swivel area 360°
- protected against backflow
- flexible connection hoses
- maximum flow rate (at 3 bar): 9 l/min

30 219 002 ZEDRA TOUCH ELECTRONIC SINGLE-LEVER SINK MIXER 1/2"



30 219 002 ZEDRA TOUCH ELECTRONIC SINGLE-LEVER SINK MIXER 1/2"



SPARE PARTS, July 2017 – February 2021

- 1: Lever (Spare part-nr. 48476000)
- 2: Screw ring (Spare part-nr. 48517000)
- 3: Cartridge (Spare part-nr. 46374000)
- 4: Hand shower (Spare part-nr. 48473000)
- 4.1: Flow straightener (Spare part-nr. 42622000)
- 4.2: Non-return valve (Spare part-nr. 08565000)
- 4.3: Strainer (Spare part-nr. 0676800M)
- 5: Shower hose (Spare part-nr. 48472000)
- 6: Shank fastening assembly (Spare part-nr. 48384000)
- 7: Support plate (Spare part-nr. 05334000)
- 8: Non-return valve (Spare part-nr. 08565000)
- 9: Quick coupling (Spare part-nr. 46338000)
- 10: Solenoid valve (Spare part-nr. 48213000)
- 10.1: Non-return valve (Spare part-nr. 08565000)
- 10.2: Strainer (Spare part-nr. 42395000)
- 11: Control unit (Spare part-nr. 48214000)
- 12: Battery (Spare part-nr. 42886000)
- 13: Adjusting Thermometer (°C) (Spare part-nr. 19001000)*

* Optional accessories