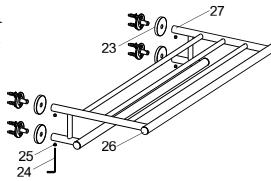


## 如何安装毛巾架

将装饰盖(23)装到托架上。用六角扳手(24)旋松螺钉(25)，将托架装入毛巾杆组件(26)连接件(27)内，保持连接件的螺钉孔向下。锁紧螺钉，固定毛巾杆组件。

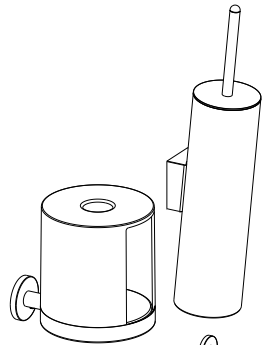


## How To Install The Towel Shelf

Slide the escutcheons(23) onto each bracket. Loosen the screws(25) with hex wrench(24), Insert the brackets into each extension(27) of the towel bar kit(26), orienting the screw holes of each extension downward. Tighten the screws, secure the towel shelf kit.

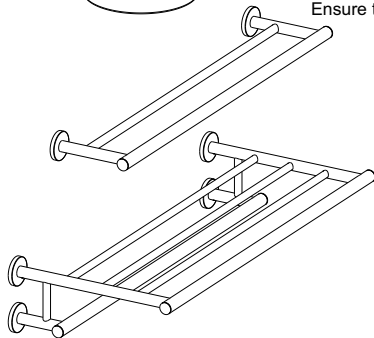
## 安装结果检查

## INSTALLATION CHECKOUT



检查并确保所有连接处已锁紧。

Ensure that all connections are tightened.



## 清洗说明

## CLEANING INSTRUCTIONS

适用于所有加工处理过的表面：以中性肥皂水清洗镀层表面，再以干净的软布彻底擦干整个表面，许多清洁剂，比如氨水、去污粉及洁厕灵等，会对电镀表面造成伤害，切忌使用。

All Finishes: Clean the finish with mild soap and warm water. Wipe entire surface completely dry with a clean soft cloth. Many cleaners may contain chemicals, such as ammonia, chlorine, toilet cleaner etc. Which could adversely affect the finish and are not recommended for cleaning.

有磨损性的清洁用具或清洁剂也不可适用于科勒牌的水龙头及其配件上。

Do not use abrasive cleaners or solvents on Kohler faucets and fittings.

# KOHLER®

## ACCESSORY INSTALLATION INSTRUCTIONS

### 浴室配件 安装说明书

Covered Toilet Paper Holder / Toilet Brush Holder / Double Towel Bar / Towel Shelf

# 斯蒂尼 STILLNESS

14388T  
14389T  
14391T  
14397T

带盖卫生纸架  
马桶刷架  
双层毛巾杆  
毛巾架

## 安装之前

## BEFORE YOU BEGIN

所有的资料是按最新发布的产品资料编写而成。科勒公司保留任何时候不经通知即可改变产品特性、包装或产品可供类型的权利。

All information is based on the latest product information available at the time of publication. Kohler Co. reserves the right to make changes in product characteristics, packaging, or availability at any time without notice.

说明书包括重要的安装、保养及清洁方面的内容，请把这些资料交给用户阅读。

Please leave these instructions for the consumer. They contain important information.

### 注意事项：

本产品为水泥墙面安装或木墙面安装。若安装在其他表面可能影响产品性能。

### NOTE:

These products should be located and mounted to a wall. While it is possible to mount them to any surface, a stud or concrete mounted product will yield the best results.

### 危险警告：(人身伤害)

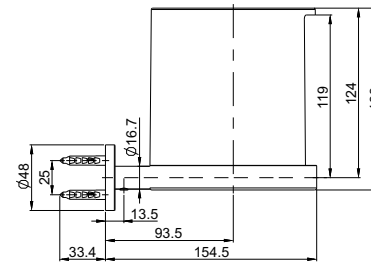
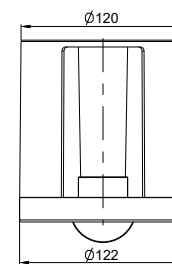
本产品不能作为扶手等支撑物使用，请勿将产品安装在可能被误认为扶手等支撑物的位置。

### DANGER: ( Risk of personal injury)

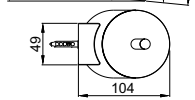
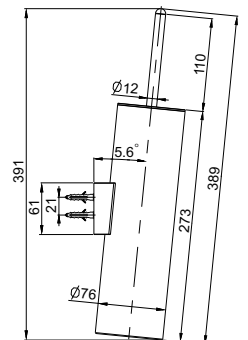
These products are not designed or intended for use as a grab bar or support bar. Do not install any of these products in any area where they are likely to be used inadvertently as a grab bar or support bar.

## 安装尺寸

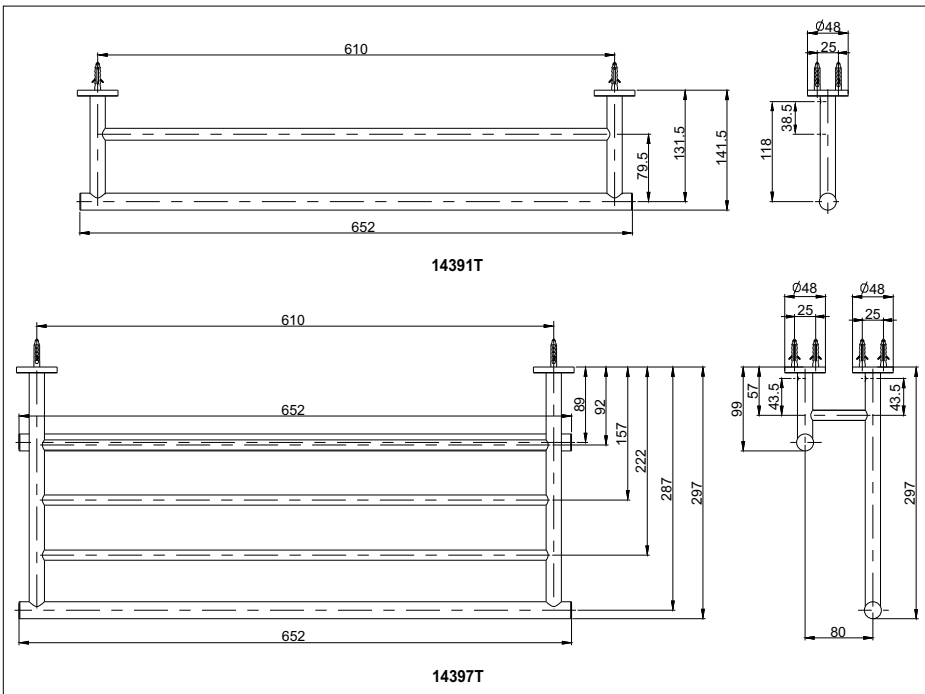
## ROUGH-IN DIMENSIONS



14388T



14389T



## 安装步骤

## INSTALLATION

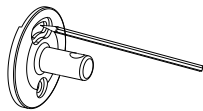
### 如何安装托架

### How To Install The Bracket

#### 仅对于14388T/14391T/14397T

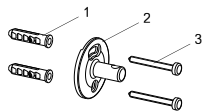
#### Only For 14388T/14391T/14397T

在垂直面的墙壁，选择一个合适的位置。  
如图所示，在墙壁上标记胀塞 (1) 安装孔位置，确保托架 (2) 大安装孔在上，小安装孔在下，两螺钉孔铅锤。根据胀塞直径钻孔。



Select a location on the vertical wall.  
Mark anchor(1) mounting hole locations on wall as shown, ensure the large slotted mounting hole of the bracket(2) up, the smaller hole of the bracket down and two screw holes are vertical. Drill holes in the finished wall as required.

将胀塞(1)塞入孔中，用自攻钉(3)固定托架(2)，保持托架大安装孔在上，小安装孔在下，两螺钉孔铅锤。



Press the anchor(1) into the holes. Orienting the large slotted mounting hole of the bracket up, the smaller hole of the bracket down and two screw holes are vertical, secure the bracket(2) with the self-tapping screws(3).

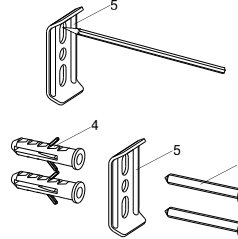
#### 仅对于14389T

#### Only For 14389T

在垂直面的墙壁，选择一个合适的位置。

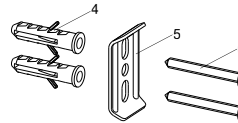
Select a location on the vertical wall.

如图所示，在墙壁上标记胀塞 (4) 安装孔位置，确保托架 (5) 两长直边铅垂。根据胀塞直径钻孔。根据胀塞直径钻孔。



Mark anchors(4) mounting hole locations on wall as shown, ensure two long straight edges of bracket(5) are vertical. Drill holes in the finished wall as required.

将胀塞(4)塞入孔中，用自攻钉(6)固定托架(5)，保持托架两直边铅垂，水平孔在上，竖直孔在下。

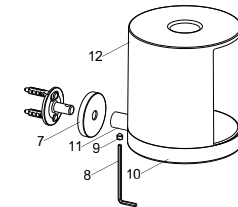


Press the anchors(4) into the holes. Orienting the straight edges of the bracket(5) vertically, keeping the horizontal hole of the bracket up and the vertical hole down, secure the bracket with self-tapping screws(6).

### 如何安装带盖卫生纸架

### How To Install The Covered Toilet Paper Holder

将装饰盖(7)装到托架上。用六角扳手(8)旋松螺钉(9)，将托架装入卫生纸架组件(10)的连接件(11)内，保持连接件的螺钉孔向下。锁紧螺钉，固定卫生纸架组件。根据需要，取下纸盖(12)，装入卫生纸，然后重新装回纸盖。

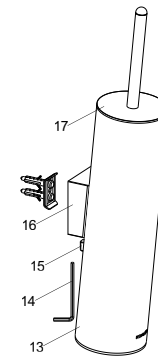


Slide the escutcheon(7) onto the bracket. Loosen the screw(9) with hex wrench(8), Insert the bracket into the extension(11) of the toilet paper kit(10), orienting the screw hole of the extension downward. Tighten the screw, secure the toilet paper kit. If needed, remove the cover(12) install toilet paper, then reinstall the cover.

### 如何安装马桶刷架

### How To Install The Toilet Brush Holder

上下滑动，取下马桶刷架组件(13)。用六角扳手(14)旋松螺钉(15)。保持装饰盖(16)上的螺钉孔向下，内壁凹槽对准托架的凸起，将装饰盖装在托架上，锁紧螺钉，固定装饰盖。上下滑动安装马桶刷架组件。将马桶刷组件(17)装入马桶刷组件。

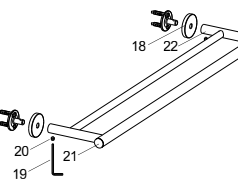


Slide the toilet brush holder kit(13) up and down, and remove it. Loosen the screw(15) with hex wrench(14). Keeping screw hole of the escutcheon(16) downward, aligning bulges of the bracket with slots of the escutcheon, slide the escutcheon onto the bracket, tighten screw, secure the escutcheon. Slide the toilet brush holder kit up and down, and install it onto the escutcheon. Install the toilet brush kit(17) into the toilet brush holder kit.

### 如何安装双层毛巾杆

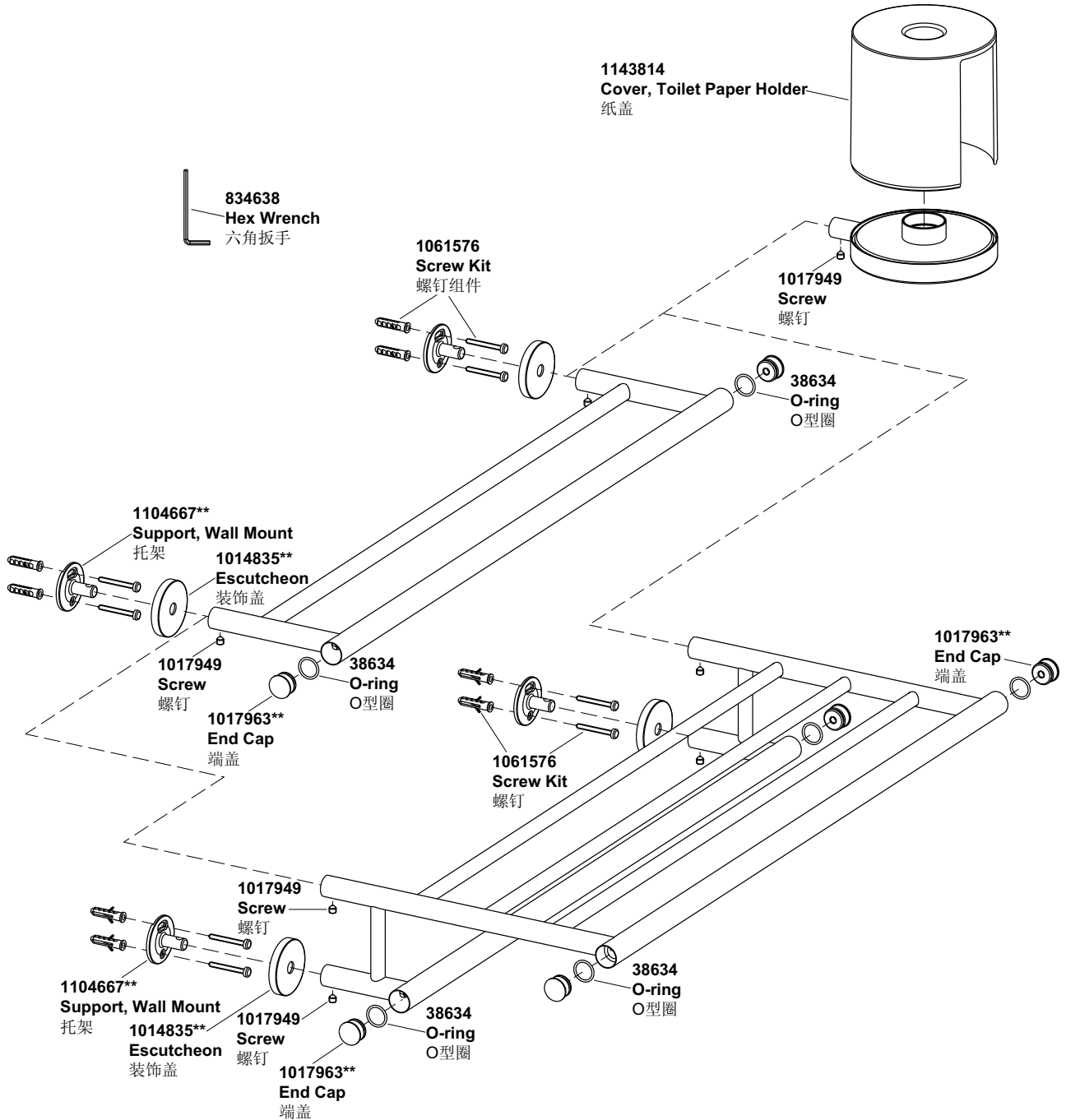
### How To Install The Double Towel Bar

将装饰盖(18)装到托架上。用六角扳手(19)旋松螺钉(20)，将托架装入毛巾杆组件(21)的连接件(22)内，保持连接件的螺钉孔向下。锁紧螺钉，固定毛巾杆组件。



Slide the escutcheons(18) onto each bracket. Loosen the screws(20) with hex wrench(19), Insert the brackets into each extension(22) of the towel bar kit(21), orienting the screw holes of each extension downward. Tighten the screws, secure the towel bar kit.

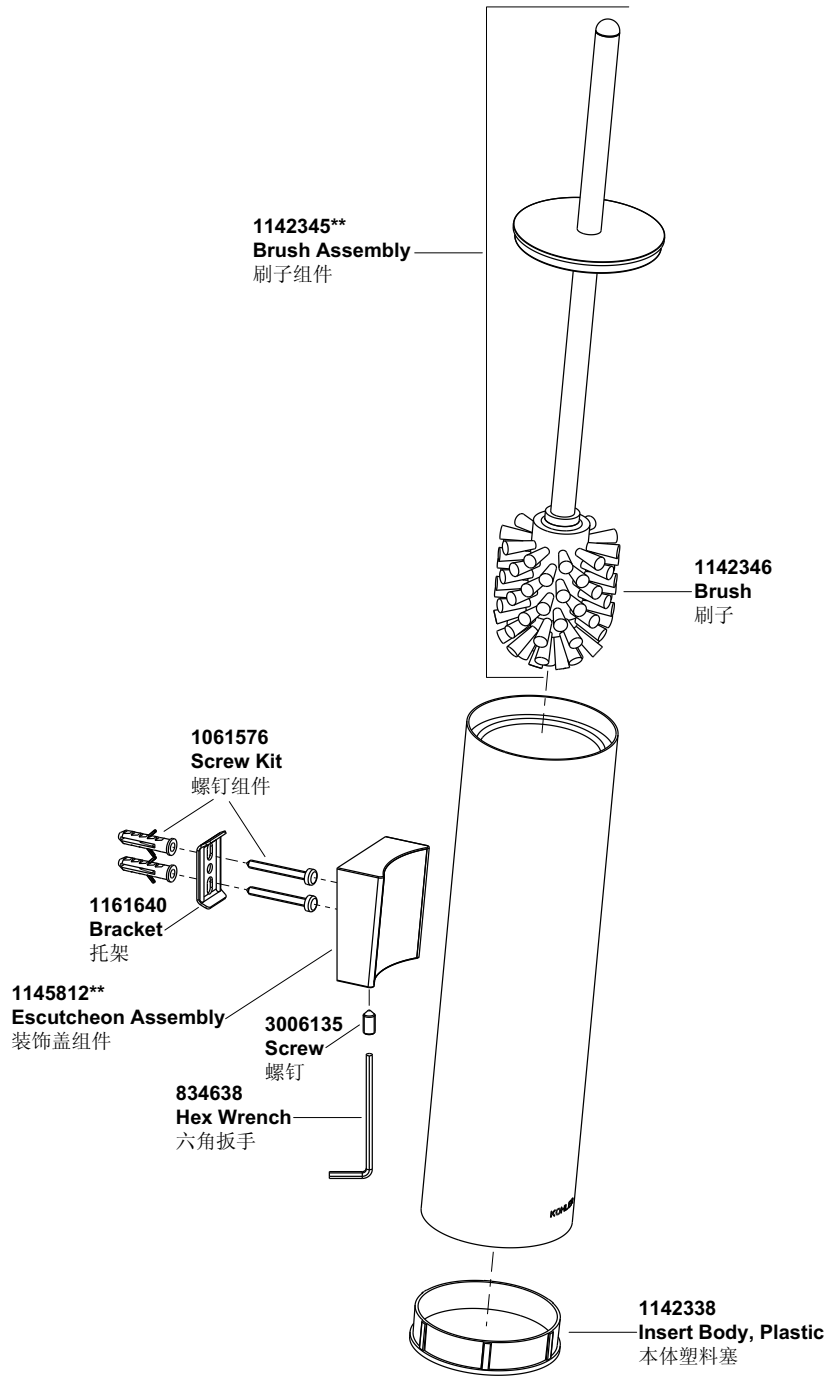
- 14388T 带盖卫生纸架
- 14391T 双层毛巾杆
- 14397T 毛巾架



\*\*订购时请说明颜色编号

\*\*Color code must be specified when ordering

14389T 马桶刷架



\*\*订购时请说明颜色编号

\*\*Color code must be specified when ordering