


## BEFORE YOU BEGIN

## 安装之前

### A. Introduction

- Please read these instructions carefully to familiarize yourself with the required tools, materials, and installation sequences. Follow the sections that pertain to your particular installation. This will help you avoid costly mistakes. In addition to proper installation, read all operating and safety instructions.
- All information is based on the latest product information available at the time of publication. Kohler Co. reserves the right to make changes in product characteristics, packaging, or availability at any time without notice.
- These instructions contain important care, cleaning, and warranty information-**please leave these instructions for the consumer.**


### B. Installer Hazard Notification

-  **CAUTION!!** Risk of personal injury. Cast iron baths are extremely heavy, and need at least 5 persons for help. When installing these products, please wear appropriate safety equipment for the risk of clipping your fingers.

### A. 引言

- 请仔细阅读此说明书以熟悉所需要的工具、材料及安装顺序。遵循适合您的特定安装要求的各项内容，避免昂贵的损失。除了要正确安装外，还应阅读操作及安全说明。
- 所有的资料是按最新出版的产品资料编写而成。科勒公司保留任何时候无须通知即可改变产品特性、包装或产品可供类型的权利。
- 安装说明包括重要的安装、清洁及保养方面的内容，请把这些资料交给用户阅读。

### B. 安装人员危险警告

-  小心!! 避免人员受伤。铸铁浴缸非常重，需要至少5人协助完成。在安装时，有夹手风险，一定要穿戴合适的安全装备。

## PRODUCT REQUIREMENTS

## 产品要求


### A. Summary Of Key Requirements

- Observe all local plumbing codes.
- Install the bath tub to a level floor.
- Provide properly-dimensioned space.
- Make sure the flooring offers adequate support for your bath.
- Observe all local plumbing and building codes.
- Be careful with the painted surfaces of the back of the bath and its wood surround to avoid scratch during transportation and installation.

-  **CAUTION: Risk of product or property damage.** Do not support the bath by the rim.

### A. 关键要求的总结

- 请遵守当地的管道施工规范。
- 在水平地面上安装浴缸。
- 提供适当的空间以安装浴缸。
- 确保安装地面为您的浴缸提供足够的支撑。
- 遵守当地所有给排水和建筑规定。
- 浴缸背面和木质框架为油漆表面，在搬运和安装过程中请注意保护，不要造成划伤。

-  小心：存在产品或财产受损的危险。不要用浴缸边缘支撑浴缸。

## B. Product Inspection

- Uncrate and inspect bath for damage. Leave all materials in the crate during construction to prevent damage.
- Carefully open the accessory cartons and remove the components and hardware pack.
- If you observe any damage, do not install the bath or the accessory. Report the specific problem to your dealer.

## B. 产品检查

- 小心地打开浴缸包装箱并检查浴缸是否损坏。施工期间将所有的材料都留在箱内，以防止损坏。
- 小心地打开配件包装箱并检查其是否损坏，取出组件及五金配件包。
- 如果观察到任何损坏，请勿安装浴缸和配件。将问题告知经销商。

## INSTALLATION REQUIREMENTS

## 安装要求

### A. Tools And Materials Required (Not Supplied)

- Safety glasses
- Tape measure
- Pencil
- Level
- Blade screwdriver
- Phillips screwdriver
- Pliers
- Sealant
- Square
- Knife
- Conventional woodworking tools and materials
- Drop cloth 2 × 4's or 2 × 6's
- Water-resistant wall material
- Metal shims
- Adjustable wrench
- Hex wrench
- Rags

### A. 所需工具及材料(不随货供应)

- 防护眼镜
- 卷尺
- 铅笔
- 水平尺
- 一字螺丝刀
- 十字螺丝刀
- 老虎钳
- 密封胶
- 直尺
- 美工刀
- 木工常用工具和材料
- 罩单 2x4英尺或2x6英尺
- 防水墙面材料
- 金属薄垫片
- 活动扳手
- 六角扳手
- 抹布

### B. Clearance Requirements

Check the rough-in and room dimensions to provide adequate available space for the bath unit.

### B. 预留尺寸

检查产品尺寸及浴室尺寸，确保有充分的空间安装浴缸。

## SITE REQUIREMENTS

## 安装现场要求

### A. Old Bath Removal (if necessary)

### A. 拆除旧浴缸(如有必要)

### B. Preparation

### B. 独立浴缸安装准备

**NOTE:** Adequate floor support must be provided. Refer to roughing-in sheet packed with your bath for specific floor loading requirements.

注：必须确保地面支撑力足够。请参考浴缸随附的尺寸图查看具体的地面负载要求。

- Make sure the floor offers adequate support for your bath and verify that the subfloor is flat and level.

- 确保地面可以完全支撑您的浴缸，并确保地面水平。

## C. Plumbing Preparation

Position the plumbing according to rough-in dimensions. Check the supplies for leaks.

## C. 管道的准备

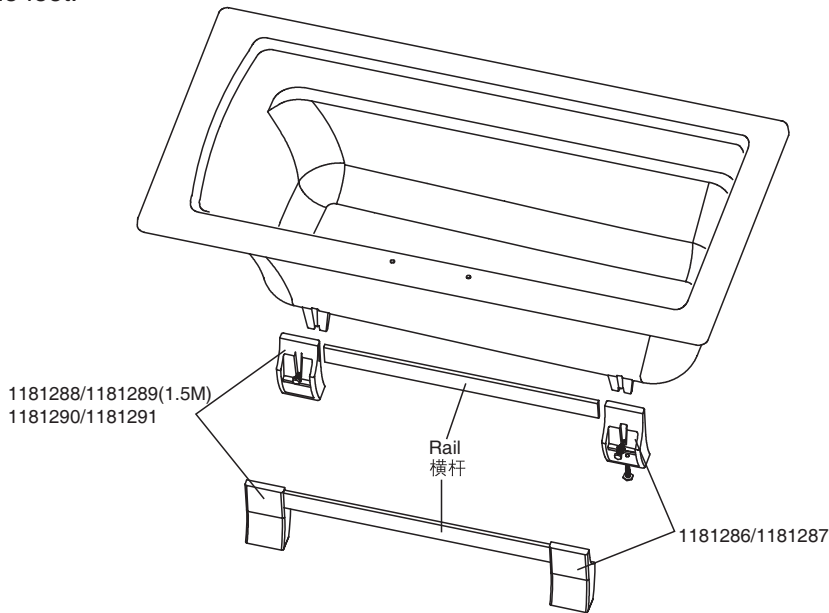
将管道按安装尺寸安置。检查供水管道是否漏水。

## INSTALL THE FREESTANDING BATH

## 安装独立式浴缸

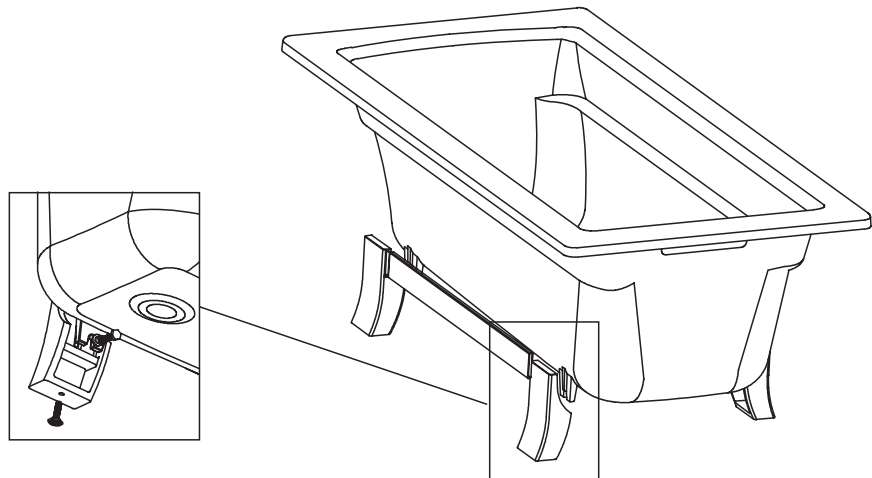
1. Lift the bath from the package base. Put the wood shelf on the bottom of the bath, then lift it, or turn around the bath, which make the feet facing up.
2. Install the adjustable feet.
  - Prepare the adjustable feet, use 1181286/1181287 nearby the bath drain, use 1181288/1181289 (only for K-45594T) or 1181290/1181291 (only for K-45595T) for the other side. Be aware of the hole direction on the feet.

1. 将浴缸抬离包装木架。使用木架放在浴缸底部，小心地抬高浴缸，或翻转浴缸使支撑脚朝上。
2. 安装可调浴缸脚。
  - 准备可调脚，靠近浴缸排水口端使用编号 1181286/1181287。另一端使用 1181288/1181289 (适用于 K-45594T) 或 1181290/1181291 (适用于 K-45595T)。注意脚上的开孔方向。



- Insert the rail into the adjustable feet. Han up the bath, then fasten the adjustable feet by bolt.

- 将横杆插入可调脚的槽中。抬高浴缸，用螺栓紧固可调节脚。



3. Adjust the screws on the bottom of the bath feet to the height signed in the roughing-in, and make sure the level of the bath.

3. 调节浴缸脚底部螺栓，调整浴缸到尺寸图所示高度，并同时调整浴缸水平。

## INSTALL THE PLUMBING

1. Install the plumbing
  - Please refer to the installation instruction of Bath Drain K-45597T-CP. Install the bath drain. Apply silicone sealant to seal.
2. Open the hot and cold water supplies and check all connections for leaks.
3. Run water into the bath and check the drain connections for leaks.


## 安装管道

1. 安装卫生管道
  - 参照K-45597T-CP排水安装说明，安装浴缸排水，用硅胶密封排水尾管和下水孔之间空隙。
2. 开启冷热水水管，然后检查所有连接是否渗漏。
3. 浴缸中放水，检查落水连接是否渗漏。

## COMPLETE THE INSTALLATION

### Cast Iron Surfaces

When cleaning up after installation, do not use abrasive cleaners, as they may scratch and dull the bath surface. Use warm water and a liquid, non-abrasive detergent to clean the surface.

 **CAUTION:** Do not allow cleaners containing petroleum distillates to remain in contact with the surface long periods of time.


Remove stubborn stains, paint, or tar with turpentine or paint thinner.

Remove plaster by scraping with a wood edge. Do not use metal scrapers, wire brushes, or other metal tools. You can use a powder-type detergent on a damp cloth to provide mild abrasive action to any residual plaster.

## 完成安装

### 铸铁表面

在安装完成后进行清理时，请勿使用磨损性的清洁用具，以免擦伤浴缸表面，使其失去光泽。使用温水和非磨损性的液体清洁剂，清洗浴缸表面。

 **小心：**请不要让含有汽油溶解物的清洁剂和浴缸长时接触。

使用松节油或涂料稀释剂去除顽固的污渍、油漆或沥青。

滞留水泥可用薄木刀刮掉。请不要使用金属刮刀，钢丝刷，或其它金属工具，对残留的灰泥，可用湿布粘些洗衣粉，以提供轻微的研磨作用。

## IMPORTANT CONSUMER INFORMATION 重要的用户资料

The Safeguard slip resistant surface on this bathtub meets or exceeds the requirements of ASME/ANSI for A112.19.1M slip resistance.

**DANGER!!** Improper maintenance or cleansers may permanently remove the slip resistant surface on Kohler bathtubs.

**NOTICE:** All housekeeping and maintenance employees must be trained in the proper cleaning of Kohler bathtubs. Post a copy of this notice in a readily-visible location.

**DO NOT** use steel wool, wire brushes, metal scrapers or abrasive sponge pads to clean a Kohler bath tub.

**DO NOT** use buffing machines on the slip resistant surface.

**DO NOT** use high alkaline or strong acid cleansers.

**DO NOT** use abrasive cleansers.

- Use only non-abrasive cleansers and a soft nylon brush to clean the slip resistant surface.
- When using commercial cleansers, use cleansers with a pH of between three and eight.
- Follow cleanser manufacturer instructions very carefully.

浴缸的Safeguard防滑表面达到或超过ASME/ANSI A112.19.1M对防滑表面的要求。

危险!! 不适当的维护或清洁剂的使用可导致科勒浴缸的防滑表面永久失去。

注意: 所有的清洁和维修人员都应当进行正确清洗科勒浴缸的培训。请将此注意事项的复印件张贴在显著的位置。

请勿 使用钢丝绒, 钢丝刷, 金属刮刀或有磨损性的海绵垫清洗科勒浴缸。

请勿 在防滑表面上使用抛光仪器。

请勿 使用强碱或强酸性的清洁剂。

请勿 使用磨损性的清洁剂。

- 请使用没有磨损性的清洁剂和软尼龙刷清洗浴缸的防滑表面。
- 请使用pH值3和8之间的清洁剂(若要使用商业用清洁剂时)。
- 请仔细按照清洁剂生产厂家的说明书进行清洗。