


## BEFORE YOU BEGIN

## 安装之前

### A. Introduction

- Please read these instructions carefully to familiarize yourself with the required tools, materials, and installation sequences. Follow the sections that pertain to your particular installation. This will help you avoid costly mistakes. In addition to proper installation, read all operating and safety instructions.
- All information is based on the latest product information available at the time of publication. Kohler Co. reserves the right to make changes in product characteristics, packaging, or availability at any time without notice.
- These instructions contain important care, cleaning, and warranty information-**please leave these instructions for the consumer.**


### B. Installer Hazard Notification

-  **CAUTION!!** Risk of personal injury. Cast iron baths are extremely heavy, and need at least 5 persons for help. Wear appropriate safety equipment when installing these products.

### A. 引言

- 请仔细阅读此说明书以熟悉所需要的工具、材料及安装顺序。遵循适合您的特定安装要求的各项内容，避免昂贵的损失。除了要正确安装外，还应阅读操作及安全说明。
- 所有的资料是按最新出版的产品资料编写而成。科勒公司保留任何时候无须通知即可改变产品特性、包装或产品可供类型的权利。
- 安装说明包括重要的安装、清洁及保养方面的内容，请把这些资料交给用户阅读。

### B. 安装人员危险警告

-  小心!! 避免人员受伤。铸铁浴缸非常重，需要至少5人协助完成。在安装时一定要穿戴合适的安全装备。

## PRODUCT REQUIREMENTS

## 产品要求


### A. Summary Of Key Requirements

- Observe all local plumbing codes.
- Install the bath tub to a level floor.
- Provide properly-dimensioned space.
- Ensure that the drain locates within the range of the bath outlet (300 × 300mm).
- Make sure the flooring offers adequate support for your bath.
- Observe all local plumbing and building codes.
- Be careful with the painted surfaces of the back of the bath and its wood surround to avoid scratch during transportation and installation.

-  **CAUTION: Risk of product or property damage.** Do not support the bath by the rim.

### A. 关键要求的总结

- 请遵守当地的管道施工规范。
- 在水平地面上安装浴缸。
- 提供适当的空间以安装浴缸。
- 确保地面排水的位置在浴缸出水尾管范围内(300 × 300毫米)。
- 确保安装地面为您的浴缸提供足够的支撑。
- 遵守当地所有给排水和建筑规定。
- 浴缸背面和木质框架为油漆表面，在搬运和安装过程中请注意保护，不要造成划伤。

-  小心：存在产品或财产受损的危险。不要用浴缸边缘支撑浴缸。

## B. Product Inspection

- Uncrate and inspect bath for damage. Leave all materials in the crate during construction to prevent damage.
- Carefully open the wood surround cartons and remove the components and hardware pack. Inspect all the wooden pieces for damage.
- If you observe any damage, do not install the bath or the wood surround. Report the specific problem to your dealer.

## B. 产品检查

- 小心地打开包装箱并检查浴缸是否损坏。施工期间将所有的材料都留在箱内，以防止损坏。
- 小心地打开木质框架包装箱并检查其是否损坏，取出组件及五金配件包。小心检查木质组件是否损坏。
- 如果观察到任何损坏，请勿安装浴缸或木质框架。将问题告知经销商。

## INSTALLATION REQUIREMENTS

## 安装要求

### A. Tools And Materials Required (Not Supplied)

- Safety glasses
- Tape measure
- Pencil
- Level
- Blade screwdriver
- Phillips screwdriver
- Pliers
- Sealant
- Square
- Knife
- Conventional woodworking tools and materials
- Drop cloth 2 × 4's or 2 × 6's
- Water-resistant wall material
- Metal shims
- Adjustable wrench
- Hex wrench
- Rags

### A. 所需工具及材料(不随货供应)

- 防护眼镜
- 卷尺
- 铅笔
- 水平尺
- 一字螺丝刀
- 十字螺丝刀
- 老虎钳
- 密封胶
- 直尺
- 美工刀
- 木工常用工具和材料
- 罩单 2x4英尺或2x6英尺
- 防水墙面材料
- 金属薄垫片
- 活动扳手
- 六角扳手
- 抹布

### B. Clearance Requirements

Check the rough-in and room dimensions to provide adequate available space for the bath unit.

### B. 预留尺寸

检查产品尺寸及浴室尺寸，确保有充分的空间安装浴缸。

## SITE REQUIREMENTS

## 安装现场要求

### A. Old Bath Removal (if necessary)

### A. 拆除旧浴缸(如有必要)

### B. Preparation

### B. 独立浴缸安装准备

**Note:** Adequate floor support must be provided. Refer to roughing-in sheet packed with your bath for specific floor loading requirements.

注：必须确保地面支撑力足够。请参考浴缸随附的尺寸图查看具体的地面负载要求。

- Make sure the floor offers adequate support for your bath and verify that the subfloor is flat and level.

- 确保地面可以完全支撑您的浴缸，并确保地面水平。

**Note:** When assembling the surround, make sure there is sufficient space to move around the structure.

注：安装框架时，确保留有足够空间可以移动该框架。

## C. Plumbing Preparation

Position the plumbing according to rough-in dimensions. Check the supplies for leaks.

## C. 管道的准备

将管道按安装尺寸安置。检查供水管道是否漏水。

## INSTALL THE FREESTANDING BATH

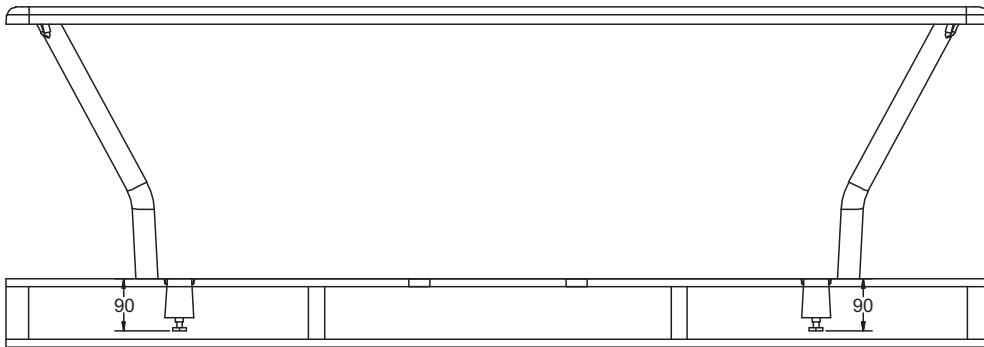
## 安装独立式浴缸

### 1. Install the adjustable feet.

- Unpack the bath and fix the adjustable feet on the package base.
- The distance between the adjustable feet bottom and the bottom apron should be 90mm.

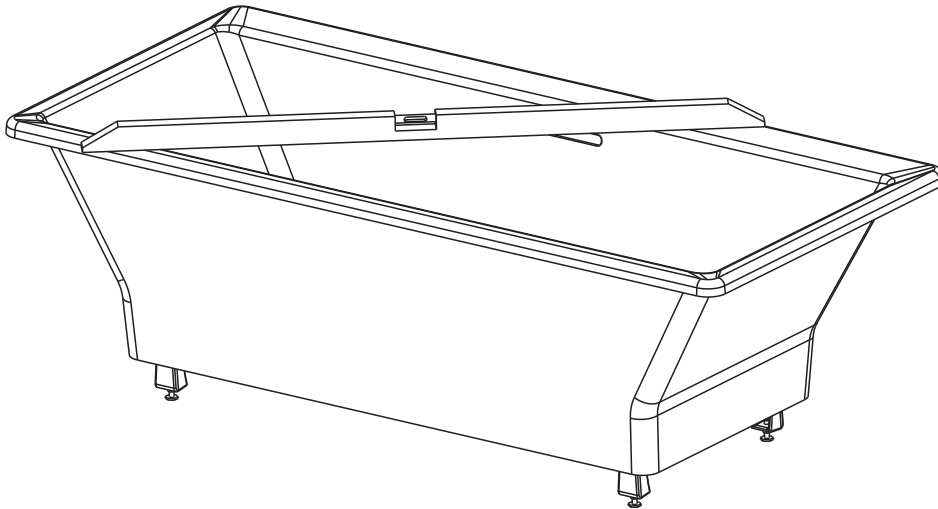
### 1. 安装可调节支撑脚。

- 打开包装，直接在拆开包装的底架上安装可调节支撑脚。
- 预调节可调节支撑脚底部至浴缸下裙边的距离应在90毫米。



- ### 2. Lift the bath from the package base and place it to the predetermined position. Adjust the adjustable feet to level the bath. Ensure that the bottom apron is at least 90mm above the floor.

- ### 2. 将浴缸抬离包装木架，放置在预定位置，通过可调节支撑脚调节浴缸水平，但需要保证浴缸下裙边距离地面至少90毫米。



### 3. Install the plumbing

- Install the bath drain. Please refer to the installation instruction of Bath Drain K-18355T. Don't fix the drain tail piece first.

### 3. 安装卫生管道

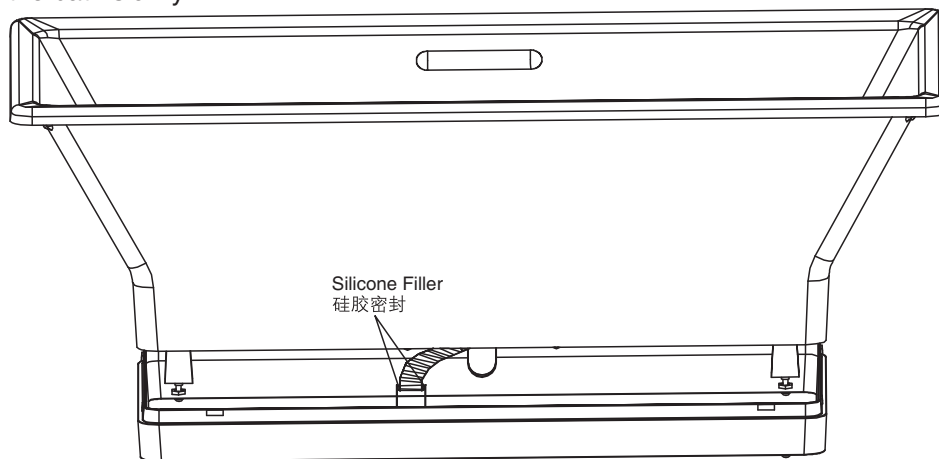
- 参照K-18355T排水安装说明，安装浴缸排水，先不要固定排水尾管。

## 4. Install the floating board apron

- Lift the bath at least 120mm above the floor, put the floating board bottom base right under the bath. The gap side of the base should face the overflow side of the bath. Connect the drain plumbing with the floor drain. Apply silicone sealant to seal. Set the bath bottom base evenly into the floating board base, then lay down the bath slowly.

## 4. 安装悬浮版裙边

- 将浴缸抬高离地面至少120毫米，把悬浮版底座放在浴缸正下方，底座缺口面对应浴缸溢水口面，将排水尾管与地漏相接，用硅胶密封。慢慢放下浴缸，使底座上部四周均匀插入浴缸下裙边内。

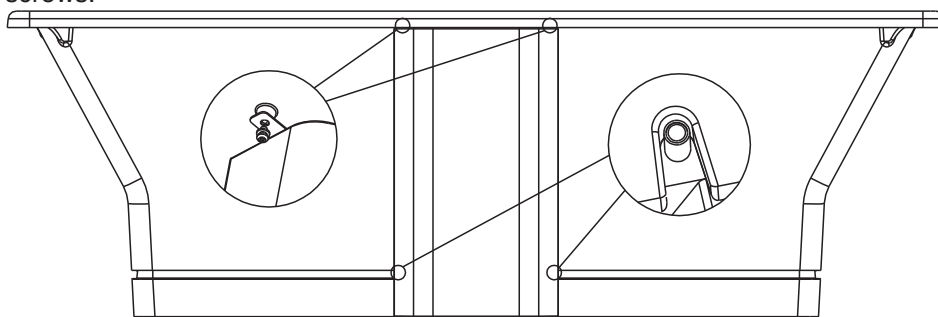


## 5. Install the overflow cover

- Set the two locating pins under the overflow cover into the slots in the bath apron. Stick them to the bath by the magnet, align with the holes and tighten the two upper screws.

## 5. 安装溢水盖

- 将溢水盖下部两个定位销插入浴缸裙边预留的槽中，利用磁铁吸附在浴缸上，然后对齐并拧紧上部的两个螺钉。

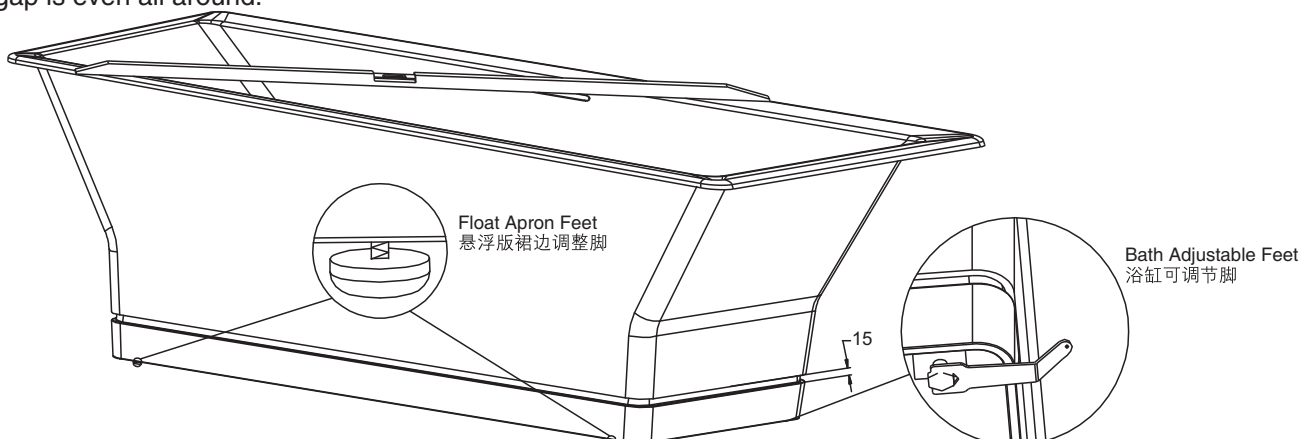


## 6. Level the bath and adjust apron gap

- Ensure the bath is level, and adjust the feet under the floating board apron to make sure the 15mm gap is even all around.

## 6. 检查浴缸水平，调整裙边间隙

- 确认浴缸水平后，调节悬浮版裙边底部的调整脚，保证15毫米间隙四周均匀。

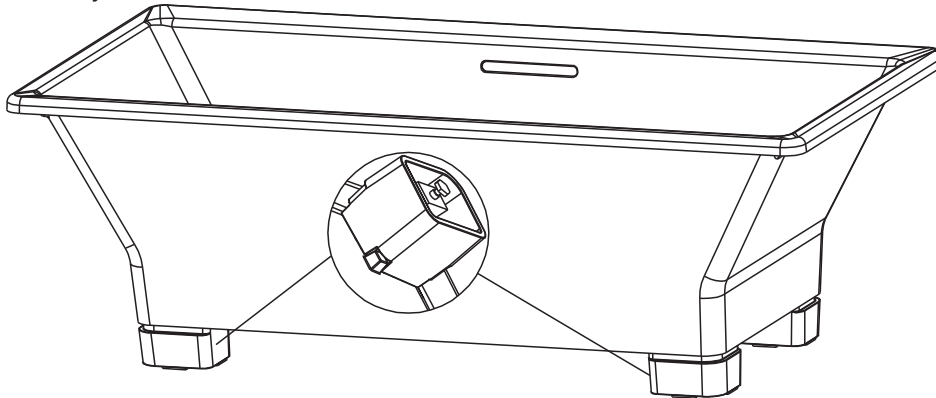


## 7. Install the decorative feet

- Lift the bath at least 120mm above the floor.
- Connect the drain plumbing with the floor drain. Apply silicone sealant to seal.
- Insert the decorative feet into the bottom of the bath, according to the left and right direction. The feet will stick to the bottom of the bath by magnet, then lay down the bath slowly.

## 7. 安装木装饰脚

- 将浴缸抬离地面至少120毫米。
- 将排水尾管与地漏相接，用硅胶密封。
- 木装饰脚按左右方向分别插入浴缸底部，通过磁力吸在浴缸底部，慢慢放下浴缸。

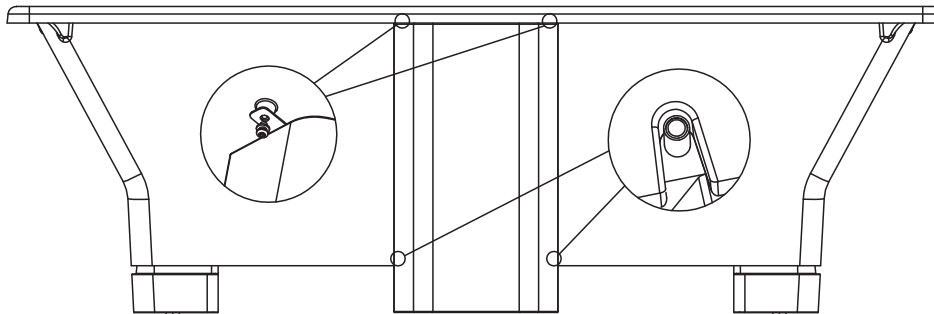


## 8. Install the overflow cover

- Set the two locating pins under the overflow cover into the slots in the bath apron. Stick them to the bath by the magnet, align with the holes and tighten the two upper screws.

## 8. 安装溢水盖

- 将溢水盖下部两个定位销插入浴缸裙边预留的槽中，利用磁铁吸附在浴缸上，然后对齐并拧紧上部的两个螺钉。

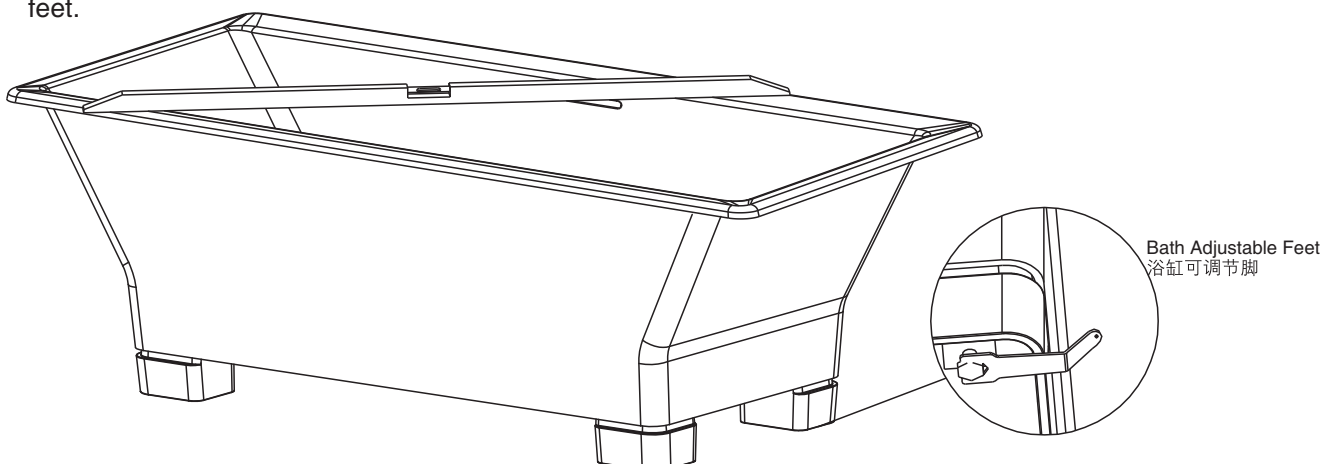



## 9. Level the bath and adjust apron gap


- Adjust the adjustable feet by special wrench to level the bath. Ensure that the decorative feet bottom is above the floor within 3-5mm. Fasten the decorative feet.


## 9. 检查浴缸水平，调整裙边间隙


- 通过专用扳手调节可调节支撑脚调节浴缸水平，但需要保证装饰脚底部距离地面3-5毫米，利于装饰脚稳固。



 **CAUTION: Risk of product or property damage.** Do not support the bath by the rim. Provide adequate support under the feet.

 **Note:** Do not move the bath by its wood surround.

 小心：存在产品或财产受损危险。请勿通过边缘支撑浴缸。支撑脚下需提供足够支撑。

 注意：禁止通过木质框架搬运浴缸。

## INSTALL THE PLUMBING

**NOTE:** Provide access to all plumbing connections to simplify future maintenance.

- Open the hot and cold water supplies and check all connections for leaks.
- Run water into the bath and check the drain connections for leaks.

## 安装管道


注意：所有管道连接均预留检修口，以便简化之后的维修。

- 开启冷热水水管，然后检查所有连接是否渗漏。
- 试水，检查落水连接是否渗漏。

## COMPLETE THE INSTALLATION

### Cast Iron Surfaces

When cleaning up after installation, do not use abrasive cleaners, as they may scratch and dull the bath surface. Use warm water and a liquid, non-abrasive detergent to clean the surface.

 **CAUTION:** Do not allow cleaners containing petroleum distillates to remain in contact with the surface long periods of time.

Remove stubborn stains, paint, or tar with turpentine or paint thinner.


Remove plaster by scraping with a wood edge. Do not use metal scrapers, wire brushes, or other metal tools. You can use a powder-type detergent on a damp cloth to provide mild abrasive action to any residual plaster.

### Wood Surround Surfaces

When cleaning up, do not use abrasive cleaners, as they may scratch and dull the wood surround surface. Use warm water and a clean cloth to clean the surface.

### 铸铁表面

在安装完成后进行清理时，请勿使用磨损性的清洁用具，以免擦伤浴缸表面，使其失去光泽。使用温水和非磨损性的液体清洁剂，清洗浴缸表面。

 小心：请不要让含有汽油溶解物的清洁剂和浴缸长时间接触。

使用松节油或涂料稀释剂去除顽固的污渍、油漆或沥青。

滞留水泥可用薄木刀刮掉。请不要使用金属刮刀，钢丝刷，或其它金属工具，对残留的灰泥，可用湿布粘些洗衣粉，以提供轻微的研磨作用。

### 木质框架表面

清理时请勿使用磨损性的清洁用具，以免擦伤木质框架表面，使其失去光泽。使用温水和干净的抹布清洁表面。

## IMPORTANT CONSUMER INFORMATION 重要的用户资料

The Safeguard slip resistant surface on this bathtub meets or exceeds the requirements of ASME/ANSI for A112.19.1M slip resistance.

**DANGER!!** Improper maintenance or cleansers may permanently remove the slip resistant surface on Kohler bathtubs.

**NOTICE:** All housekeeping and maintenance employees must be trained in the proper cleaning of Kohler bathtubs. Post a copy of this notice in a readily-visible location.

**DO NOT** use steel wool, wire brushes, metal scrapers or abrasive sponge pads to clean a Kohler bath tub.

**DO NOT** use buffing machines on the slip resistant surface.

**DO NOT** use high alkaline or strong acid cleansers.

**DO NOT** use abrasive cleansers. Use only non-abrasive cleansers and a soft nylon brush to clean the slip resistant surface.

- When using commercial cleansers, use cleansers with a pH of between three and eight.
- When using commercial cleansers, use cleansers with a pH of between three and eight.
- Follow cleanser manufacturer instructions very carefully.

浴缸的Safeguard防滑表面达到或超过ASME/ANSI A112.19.1M对防滑表面的要求。

危险!! 不适当的维护或清洁剂的使用可导致科勒浴缸的防滑表面永久失去。

注意: 所有的清洁和维修人员都应当进行正确清洗科勒浴缸的培训。请将此注意事项的复印件张贴在显著的位置。

请勿 使用钢丝绒, 钢丝刷, 金属刮刀或有磨损性的海绵垫清洗科勒浴缸。

请勿 在防滑表面上使用抛光仪器。

请勿 使用强碱或强酸性的清洁剂。

请勿 使用磨损性的清洁剂。

- 请使用没有磨损性的清洁剂和软尼龙刷清洗浴缸的防滑表面。
- 请使用pH值3和8之间的清洁剂(若要使用商业用清洁剂时)。
- 请仔细按照清洁剂生产厂家的说明书进行清洗。