

KOHLER®

K-72907K LADENA 拉蒂纳

SEMI-RECESSED LAVATORY 半嵌入式脸盆 CUT-OUT TEMPLATE / INSTALLATION INSTRUCTIONS 切割图/安装说明书

BEFORE YOU BEGIN

- Observe all local plumbing and building codes.
- Inspect the waste and supply tubing; replace if necessary.
- Prior to installation, unpack the new lavatory and carefully inspect it for damage. Return the lavatory to its protective carton until you are ready to install it.
- For replacement installations, make sure the existing cutout is the same or smaller size as the new lavatory.
- Use the template supplied with the lavatory to mark correct size cutout.
- Kohler lavatory is made according to American National Standard that it can match the American lavatory fittings. Any other lavatory fittings may not fit for Kohler lavatory.
- Fixture dimensions are nominal and conform to tolerances established by ASME Standards (A112.19.2-2013).
- The product complies with GB 6952-2015.

安装之前

- 留意当地所有给排水及建筑规定。
- 检查污水管及供水管，如有需要请更换。
- 安装之前，先开启新脸盆的包装，并小心检验新脸盆是否有损坏，再将脸盆放回包装盒内，到安装时才取用。
- 若为更换新脸盆，须确保现有的柜台孔口与新脸盆的切割位相同或较后者小。
- 请使用同时印在此说明书上的切割图，标划正确之切割位。
- 科勒洗脸盆是根据美国标准制造的，与美国洗脸盆配件相配。其它洗脸盆配件可能与之不相配。
- 部件尺寸为标称值，误差符合美国ASME标准(A112.19.2-2013)。
- 本产品符合GB 6952-2015。

INSTALLATION

- Cut the template on the cut-out line.
- Flod template on dotted line and place on counter top.
- Position the template on the counter top to ensure clearance between the lavatory, faucet, and back splash. Verify cabinet clearance beneath the counter top.
- Trace the template on the counter top with a pencil.
- Check the clearance between the lavatory, faucet, backsplash, and cabinet. Re adjust the template.
- Drill a 1/2"(13mm) hole on the inside of the outline.
- Cut the opening in the counter top along the inside edge of the pencil line.
- For marble counter top, be sure to follow cutting instructions from manufacturer. (Extra care should be used not to go below front edge.)
- Temporarily position the lavatory in the opening, and adjust to fit.
- Trace a pencil line around the outside edge of the lavatory.
- Remove the lavatory.

安装

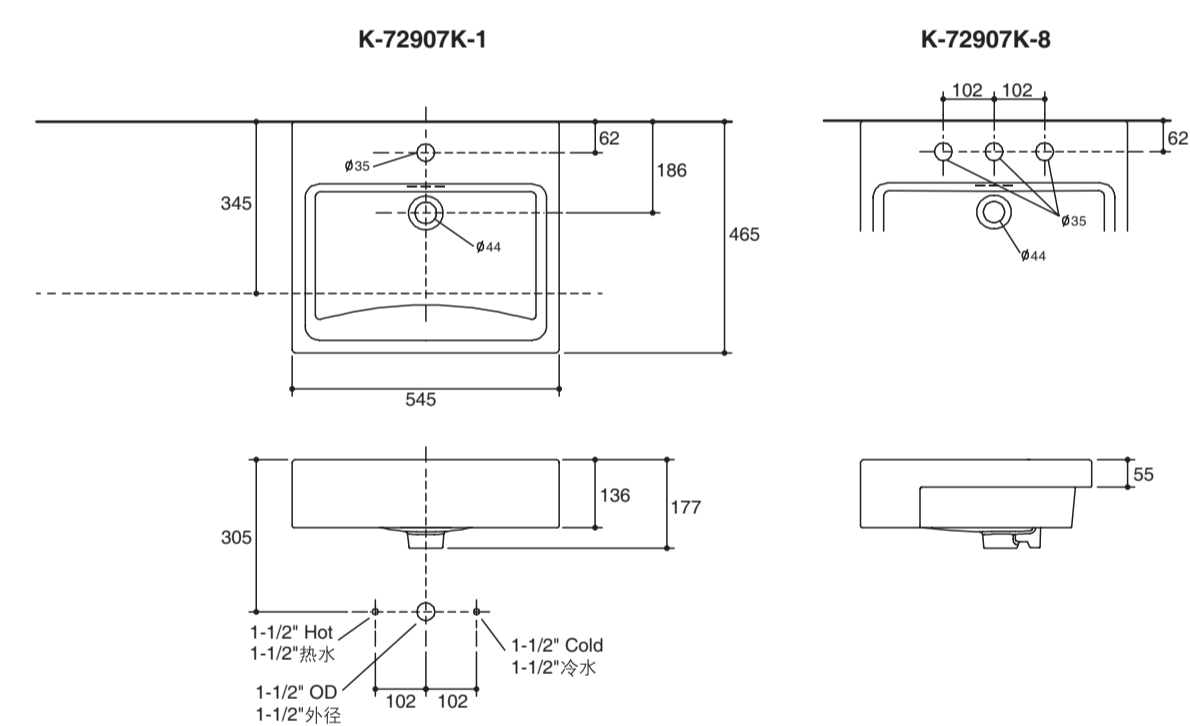
- 按切割线切割模板。
- 将模板按虚线折叠并放置于台面上。
- 将模板放置于台面上，并确认台盆、龙头和防溅挡板的间距，检查柜子和台面上方的空隙。
- 按照模板用铅笔在台面上画出切割线。
- 检查台盆、龙头、防溅挡板和柜子的间距，重新调整模板。
- 在轮廓线的内侧钻一个1/2" (13mm)的孔。
- 沿铅笔线的内边缘切割台面。
- 对于大理石台面，请确保根据台面制造商的说明书来进行切割(请特别小心不要切割到前线下方。)
- 将台盆暂时置于开孔中，并调整位置，使之适合。
- 用铅笔在台盆的外边缘画线。
- 拿走台盆。

ROUGHING-IN

Reference Value
参考值

尺寸图

Unit:mm
单位:毫米



If the faucet and drain are not installed, install them this time. Be sure to follow all instructions packed with the product.

- Apply sealant to the inside of the pencil line.
- Spread the sealant evenly with a putty knife.
- Carefully position the lavatory in the cut-out, and press down firmly.
- Apply a bead of sealant around the counter top cut-out hole. Carefully position the lavatory in the counter top cut-out. Wipe away any excess sealant with a clean cloth. Allow the sealant to cure for at least 30 minutes before proceeding.
- Connect and tighten the trap to the drain, and complete the water supply connections to the faucet according to the instructions packed with the faucet.

若龙头和下水尚未安装，请在此时安装。请务必按照产品安装说明书进行安装。

- 在铅笔线内侧涂上硅胶。
- 用刮刀将硅胶涂抹均匀。
- 小心地将台盆放置于开孔中，牢固按压。
- 在台盆开孔周围涂抹硅胶，将台盆小心地放置于切口内。用干净的布擦去多余硅胶，让硅胶固化至少30分钟。
- 连接落水管道，并按照龙头的安装说明书安装龙头。

CUT ALONG THIS LINE
沿此线切割

RIM OF LAVATORY
台盆边缘

RIM OF LAVATORY
台盆边缘

Recommended special cutting edge or corner of the counter should be 3-5mm.
Be sure to follow cutting instruction from manufacturer.
需要特殊切割。推荐的特殊切割边缘或台面角应为3-5mm。
请按照台面制造商的说明书进行切割。

WHEN PLOTTING TEMPLATE FULL SIZE:
Make sure horizontal and vertical dimensions match the dimensions labeled on the template.

当在台面上一比一描绘切割线时，务必确保模板的水平和竖直尺寸与模板上标注的一致。

Recommended special cutting edge or corner of the counter should be 3-5mm.
Be sure to follow cutting instruction from manufacturer.
需要特殊切割。推荐的特殊切割边缘或台面角应为3-5mm。
请按照台面制造商的说明书进行切割。

323mm

82mm

IMPORTANT CONSUMER INFORMATION (CARE AND CLEANING)

To keep your lavatory looking new, make sure you rinse it out thoroughly after each use. **DO NOT USE ABRASIVES** on this product, as they will scratch and ruin the surface. Stubborn stains, paint, or tar can be removed with turpentine or paint thinner.

Do not use the product in the water below 0°C.

CAUTION: Please do not use hard materials (like scouring pad) to clean product surface, especially the product logo.

用户须知 (护理和清洁)

为保持脸盆光泽如新，须确保每次使用后彻底冲洗干净。切勿使用腐蚀性的清洁剂，以免刮花及破坏脸盆的表面。要清除顽固污垢、油漆或机油，可使用松油或油漆稀释剂。

不要在0°C以下的水环境中使用。

警告：请勿使用钢丝球等硬质材料擦洗产品表面，特别是产品商标处。