

记录产品型号:

⚠ 危险警告: 人身伤害。请勿将本产品安装在可能被误认为扶手等支撑物的位置。

遵守当地管路安装条例。

1A. 卫生纸架安装位置推荐

2. **可选:** 调转卫生纸架安装方向

2A. 按压弹簧组件上的圆形凸起, 向外推动取出左弹簧组件。并收起。

2B. 拧开固定螺钉。

2C. 取出卫条和盖板。

2D. 重新装回盖板并从另一个方向安装卫条。

2E. 拧紧底部固定螺钉。

2F. 取出配件包内的右弹簧组件并安装上。

3A. **对于多底座产品,** 请确认产品与随附模板对齐。

4A. **对于所有产品,** 旋松螺钉并拆下底座。

5A. **对于多底座产品,** 请使用随附模板标记安装孔。确保模板和标记的安装孔保持水平。

Record your model number:

⚠ CAUTION: Risk of personal injury. Do not install where the product might be used as a grab or support bar.

Follow all local plumbing and building codes.

1A. Recommended Tissue Holder Location

2. **OPTIONAL:** Reverse Tissue Holder Orientation

2A. Push the button to remove the left spring assembly. Set aside.

2B. Loosen the setscrew.

2C. Remove the tissue holder arm and flap.

2D. Reposition the flap and install the arm from the opposite side.

2E. Tighten the setscrew.

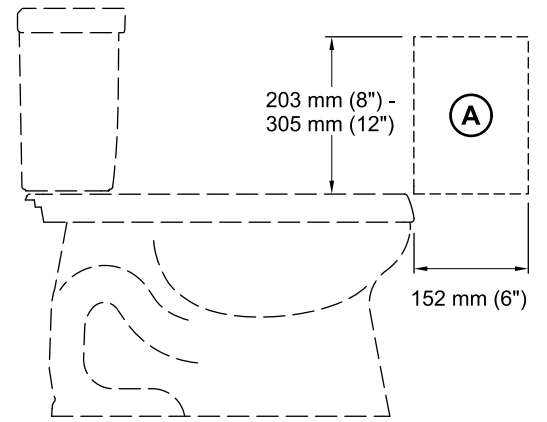
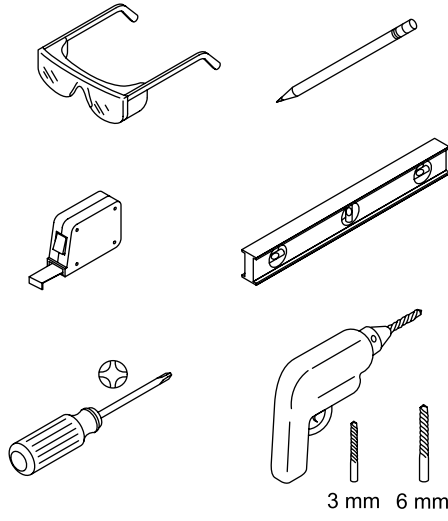
2F. Locate the right spring assembly in the package. Install the right spring assembly.

3A. **For multiple-post accessories,** verify that the provided template aligns with your product.

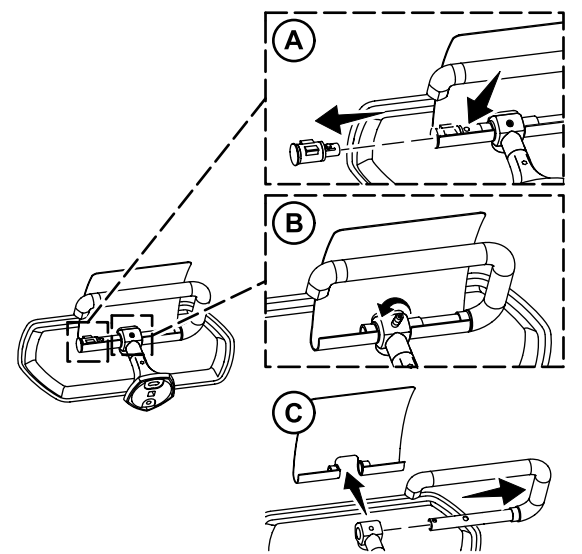
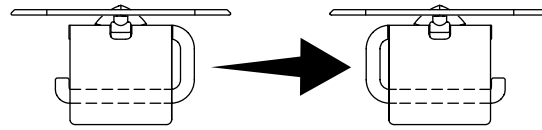
4A. **For all accessories,** loosen the setscrew(s) and remove the wall plate(s) from the accessory.

5A. **For multiple-post accessories,** use the provided template to mark the holes. Verify that the template and marked holes are level.

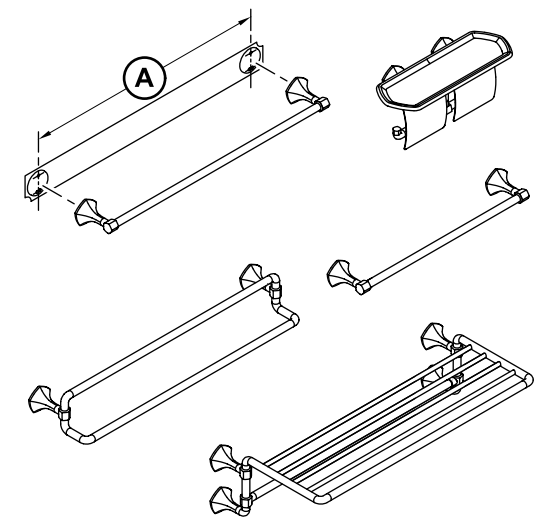
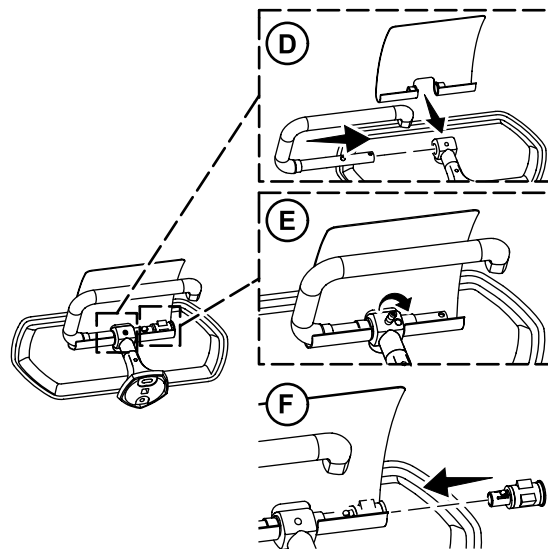
1



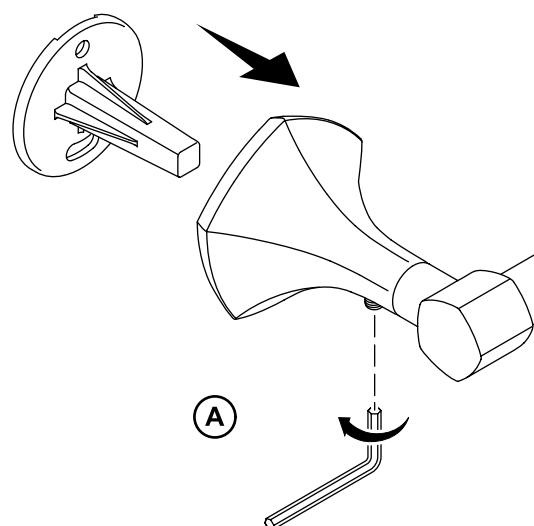
2



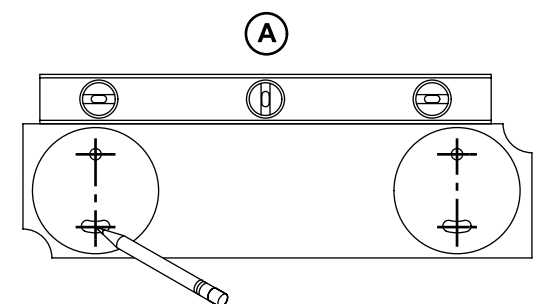
3



4



5



5B. 对于单底座产品，选择合适位置安装底座，并标记安装孔位置，同时确保安装孔竖直。

6A. 根据所选安装表面选择相应的钻头。

7A. 对于可直接拧螺钉的安装表面：先钻出直径3mm螺钉孔，再用螺钉固定底座。

7B. 其它：在墙面钻出直径6mm的孔，塞入图示胀塞，并用螺钉固定底座。

8A. 对于所有产品，将产品主体安装到底座上。用六角扳手拧紧螺钉。

本产品包含终身有限担保—PVD部件，三年有限担保—其他部件，详见随附合格证。

中国大陆：+(86) 800-820-2628, +(86) 400-820-2628

中国香港、中国澳门和中国台湾：+(852) 3125-7728

5B. For single-post accessories, position the wall plate and mark the holes. Verify that the holes are level.

6A. Choose your drill bit according to the surface you are installing your product to.

7A. Install to Studs: Drill 3 mm holes. Secure the wall plate(s).

7B. Other: Drill 6 mm holes. Insert anchors. Secure the wall plate(s).

8A. For all accessories, slide the accessory onto the post(s). Tighten the setscrew(s).

This product is covered under the **Lifetime Limited Warranty—PVD Components Three-year limited warranty—other parts**, found in the packed Compliance Certification.

Mainland China: +(86) 800-820-2628, +(86) 400-820-2628

Hong Kong, Macau, Taiwan: +(852) 3125-7728

