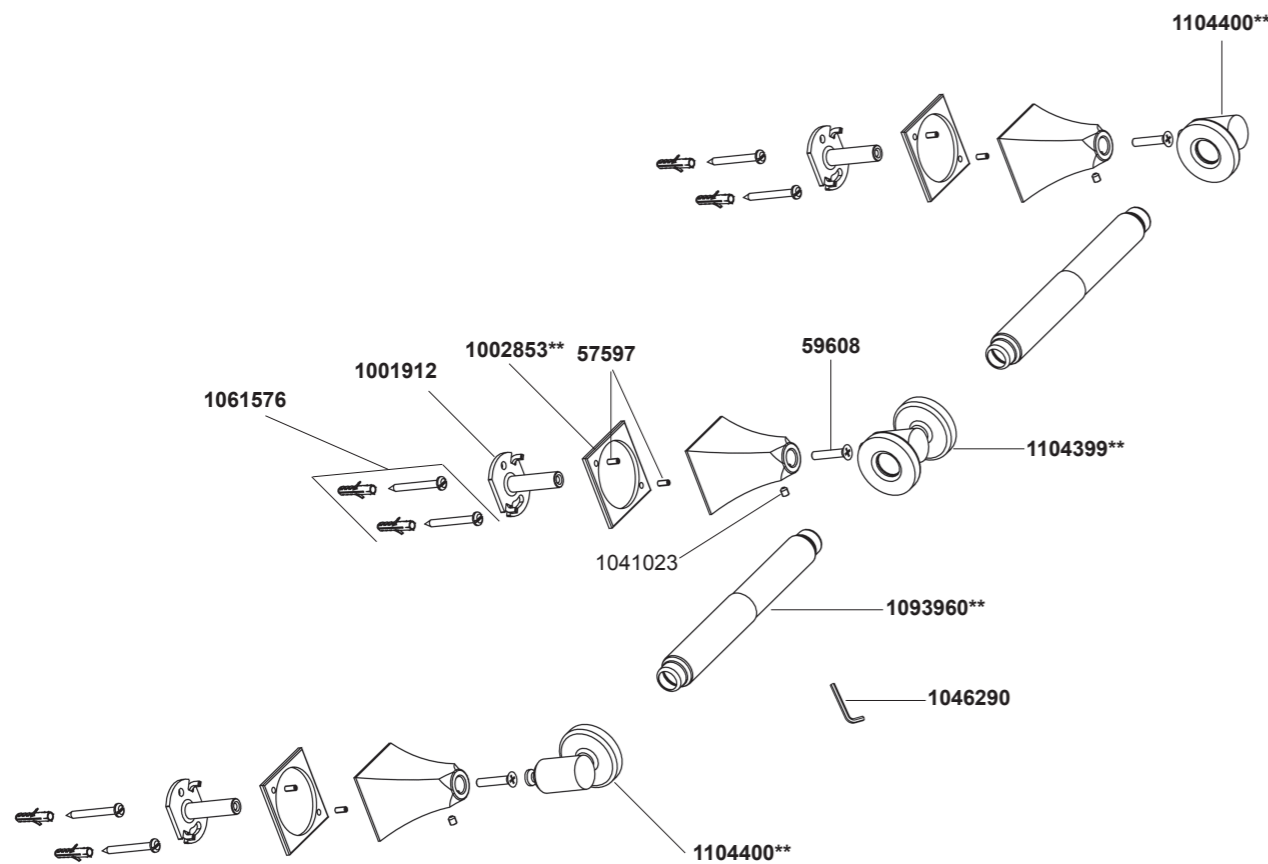


10454T Dual TP Holder



\*\*Color code must be specified when ordering

485T	18" Towel Bar	10454T	Dual TP Holder
486T	24" Towel Bar	10456T	Soap Dish
487T	Towel Ring	37352T	Covered TP Holder
488T	Glass Shelf	37353T	24" Double Towel Shelf
490T	TP Holder	37354T	Toilet Brush Holder
492T	Robe Hook	37355T	24" Double Towel Bar

**BEFORE YOU BEGIN**

All information is based on the latest product information available at the time of publication. Kohler Co. reserves the right to make changes in product characteristics, packaging, or availability at any time without notice. Please leave these instructions for the consumer. They contain important information.

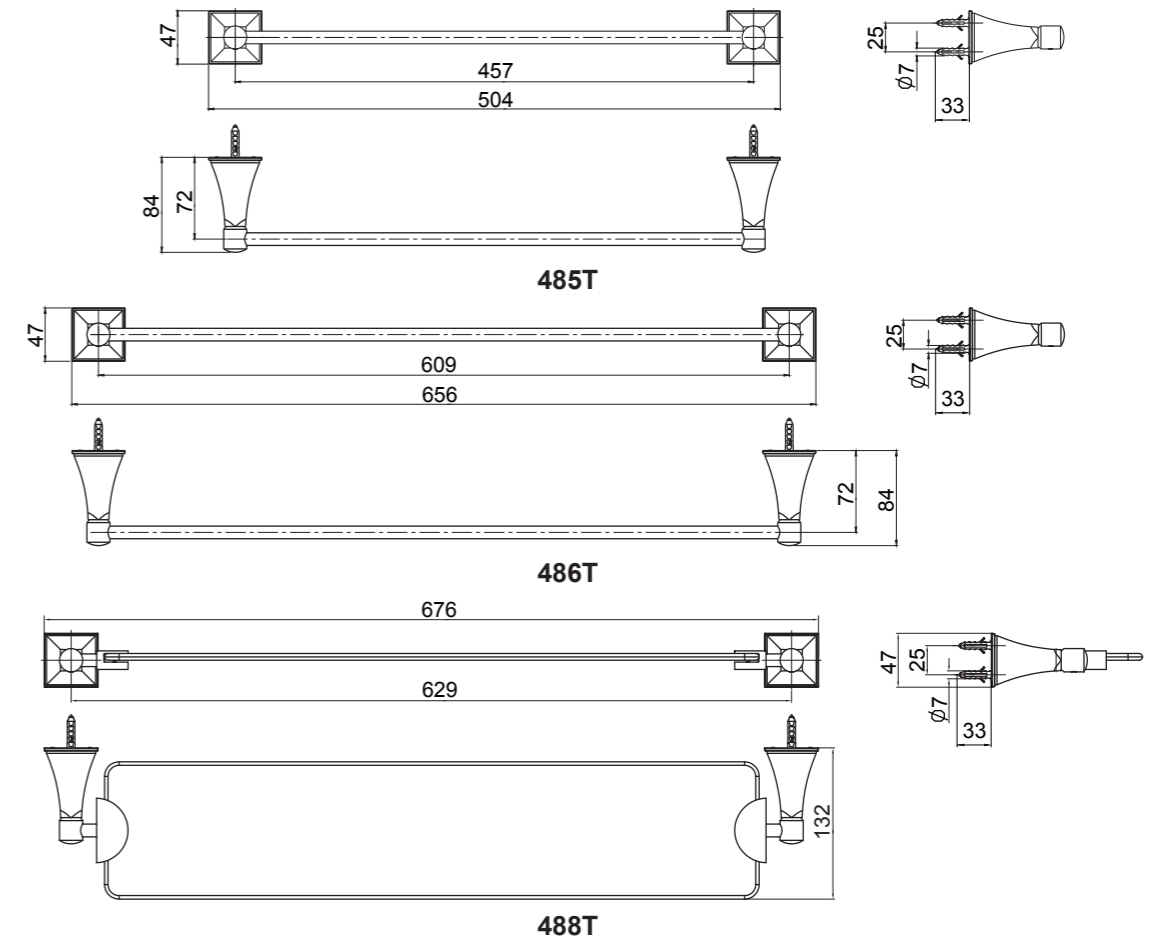
**NOTE:**

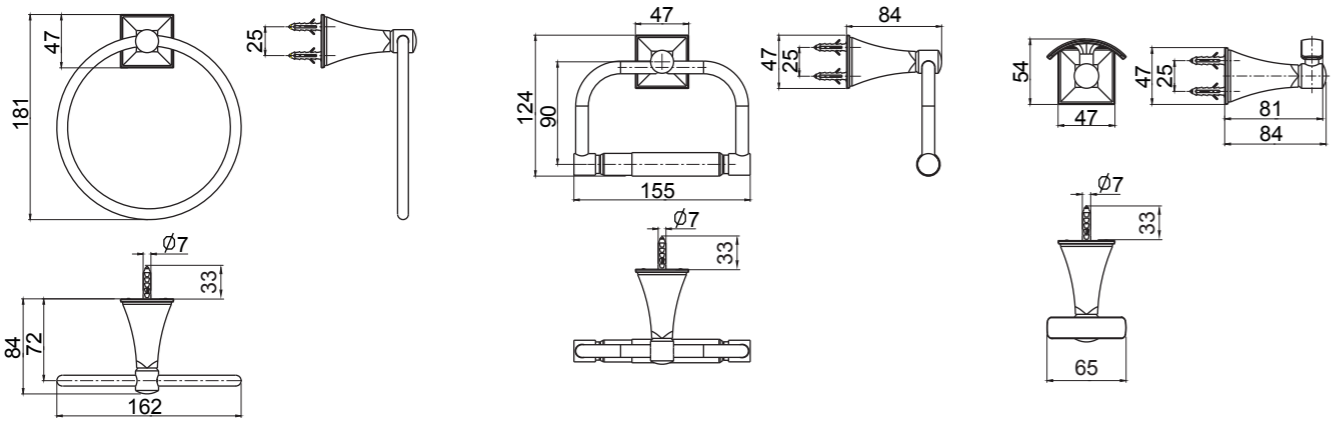
These products should be located and mounted to a wall. While it is possible to mount them to any surface, a stud or concrete mounted product will yield the best results.

**DANGER: (Risk of personal injury)**

These products are not designed or intended for use as a grab bar or support bar. Do not install where the product might be used as a grab or support bar.

**ROUGH-IN DIMENSIONS**

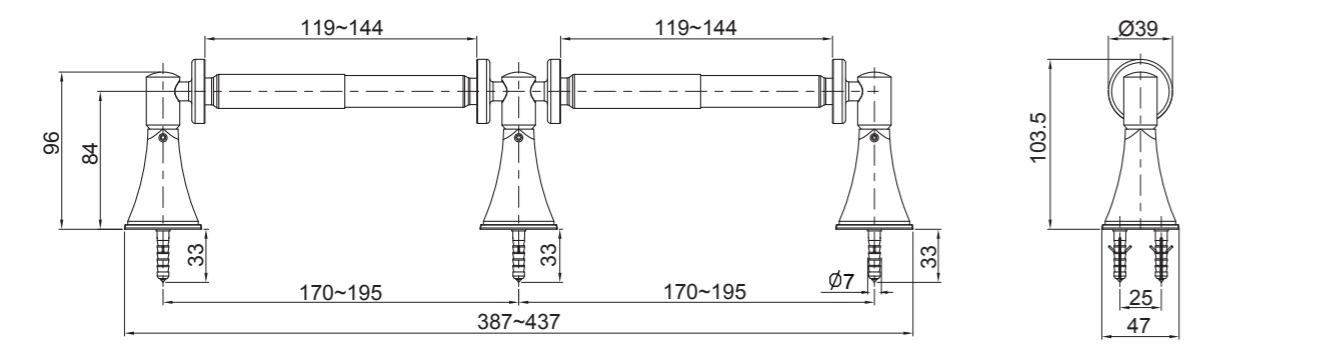




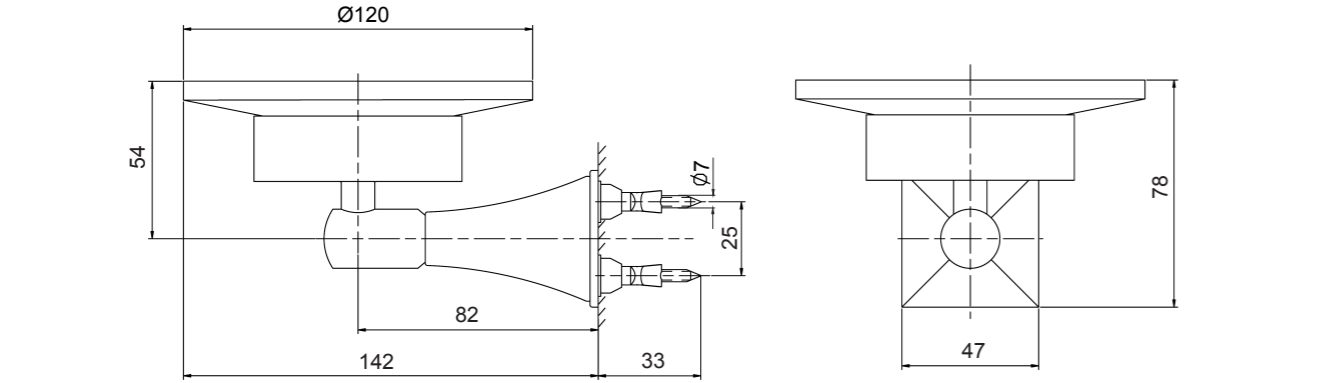
487T

490T

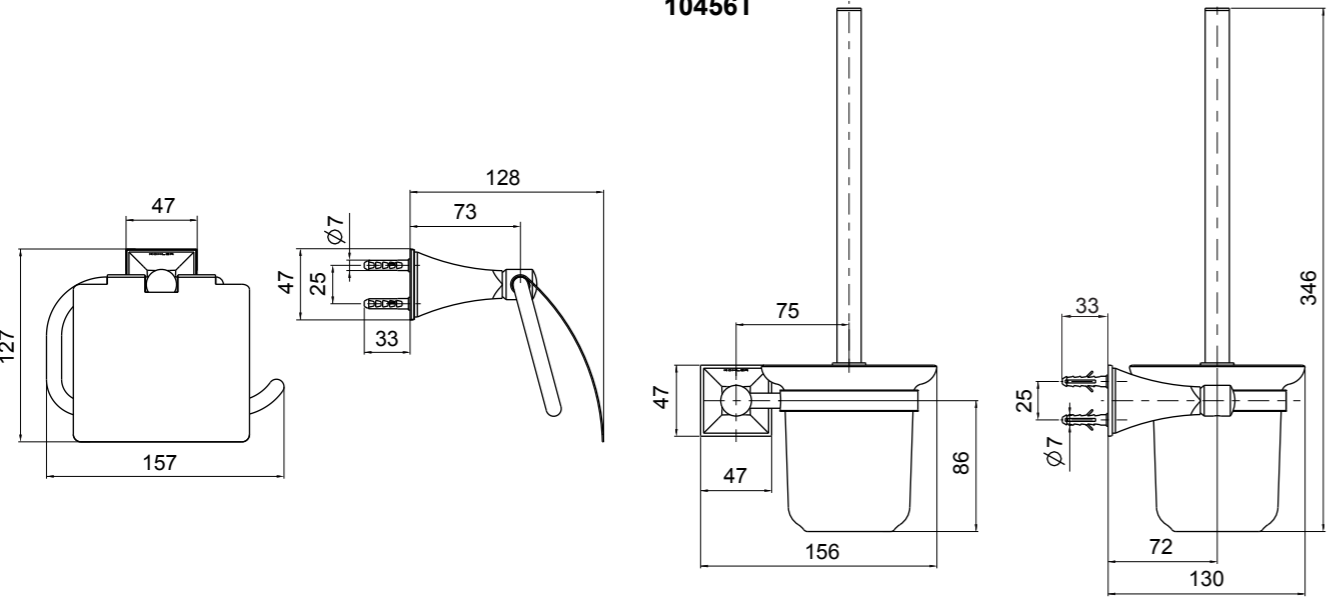
492T



10454T



10456T



37352T

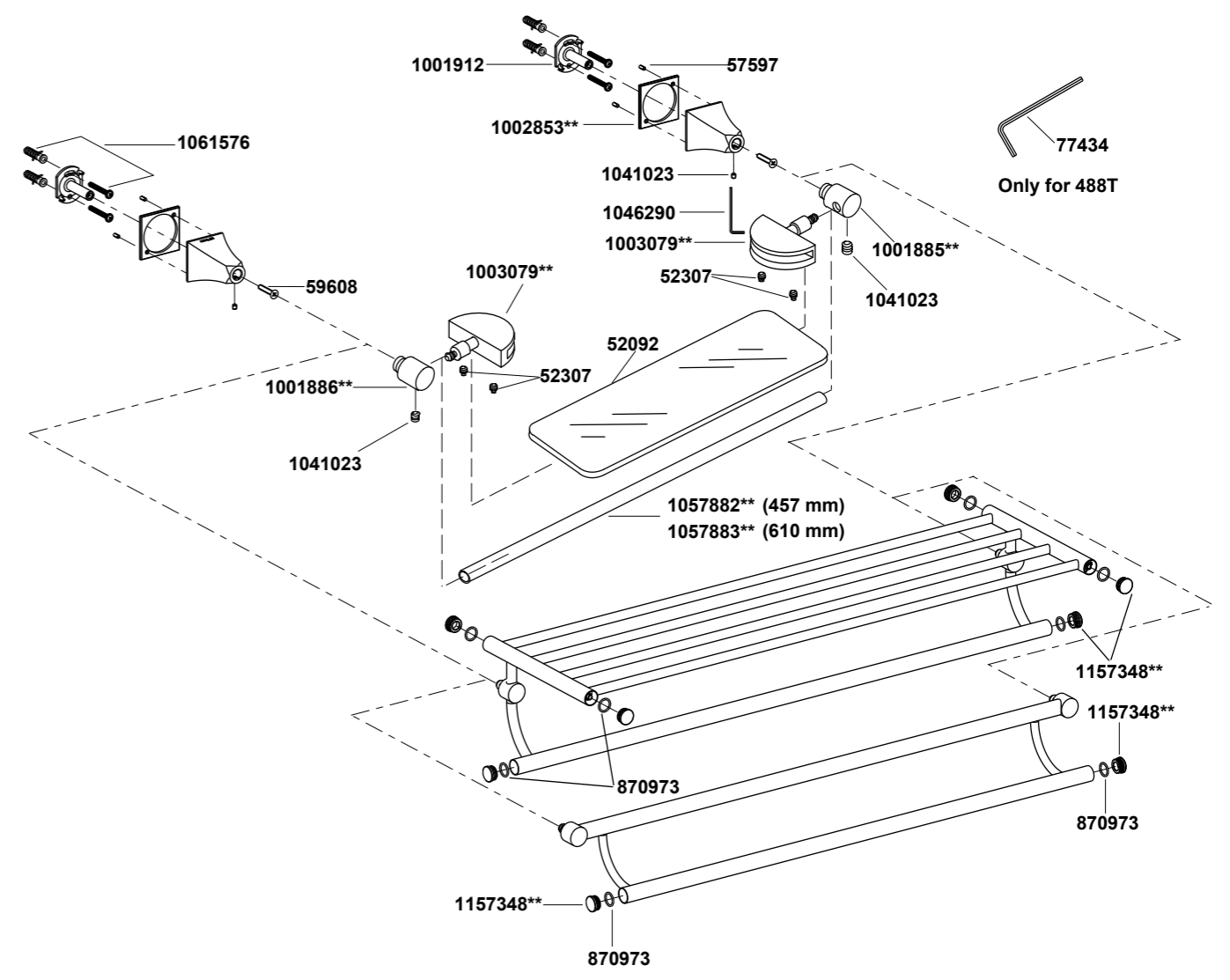
37354T

# KOHLER®

## ACCESSORY SERVICE PARTS

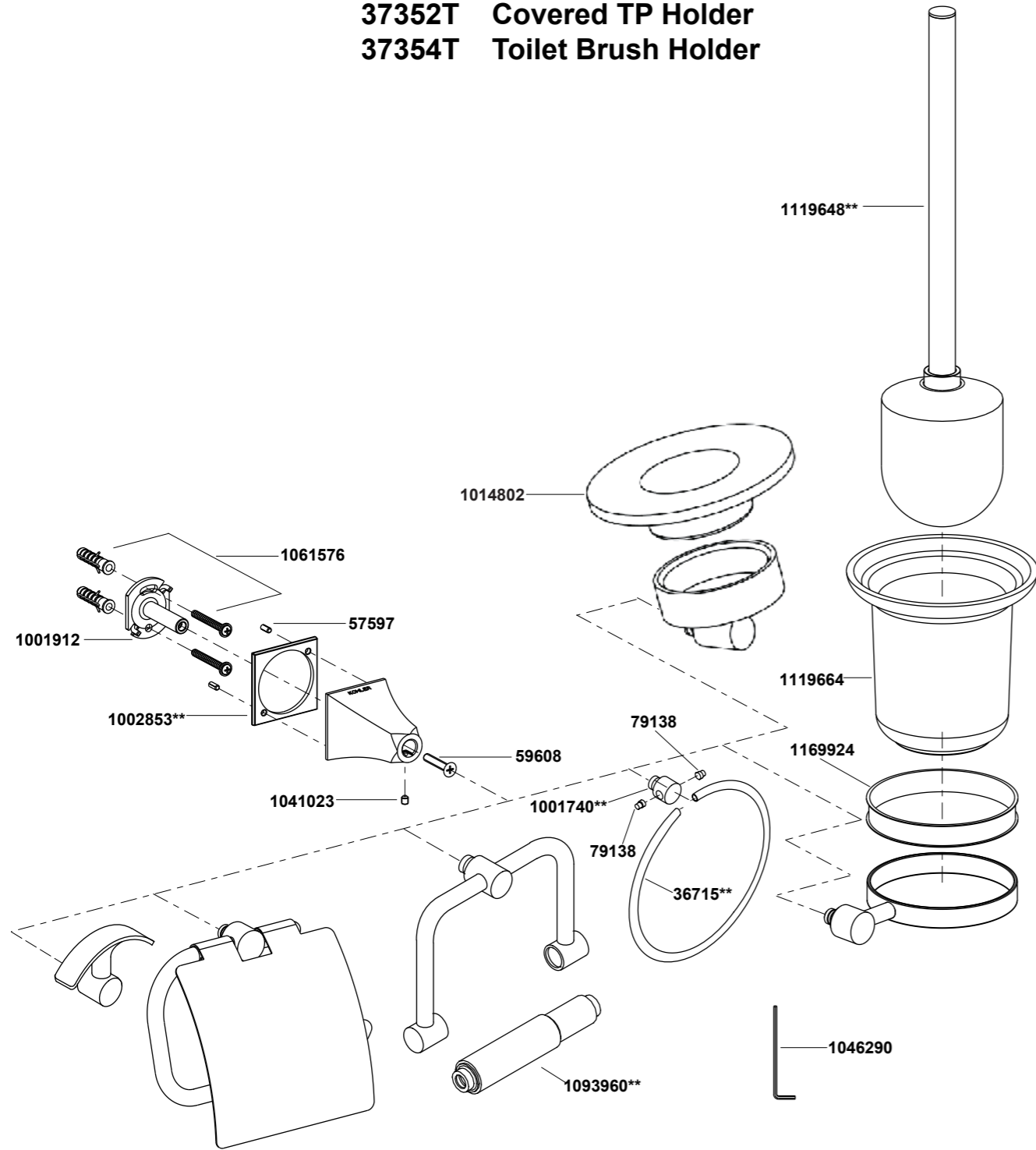
# MEMOIRS

- 485T 18" Towel Bar
- 486T 24" Towel Bar
- 488T Glass Shelf
- 37353T 24" Double Towel Shelf
- 37355T 24" Double Towel Bar

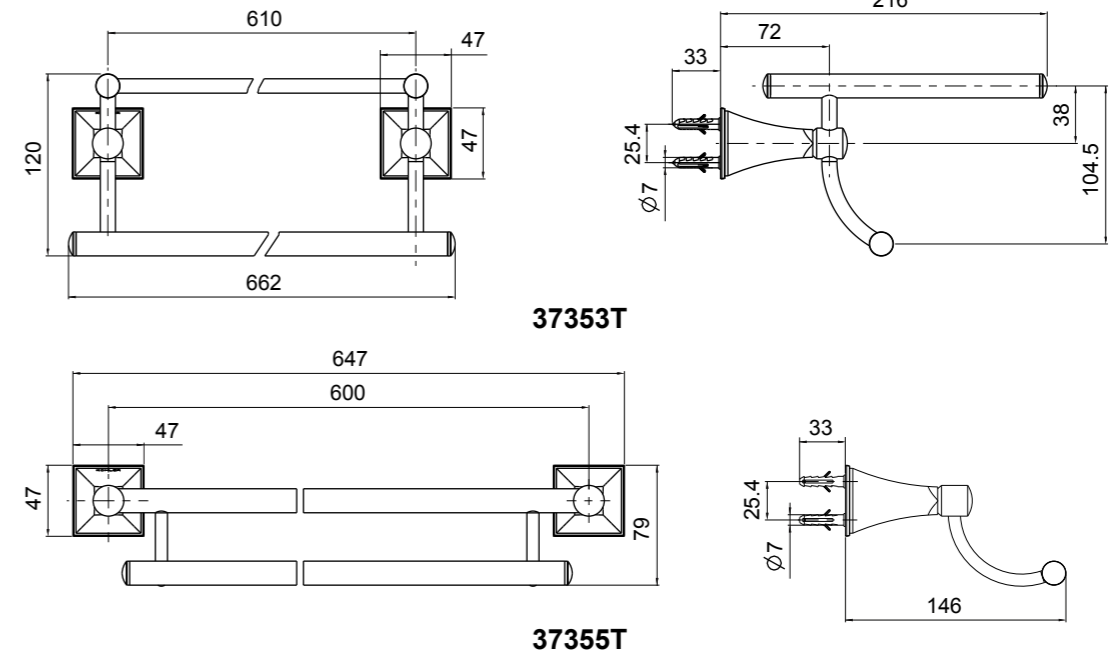


\*\*Color code must be specified when ordering

- 487T Towel Ring
- 490T TP Holder
- 492T Robe Hook
- 10456T Soap Dish
- 37352T Covered TP Holder
- 37354T Toilet Brush Holder



\*\*Color code must be specified when ordering

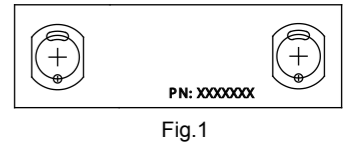


**INSTALLATION**

**How To Install The Bracket**

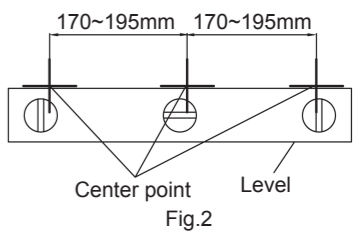
**Only For 485T/486T/488T/37353T/37355T**

As Fig 1 shown, select a proper position on the wall to stick the templet, ensure the templet is horizontal and keep the smaller hole downward as shown. Drill hole in the finished wall as required.

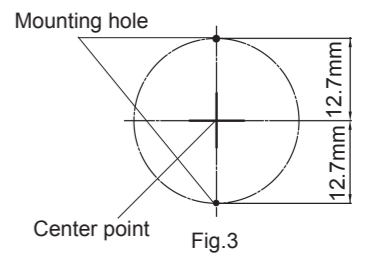


**Only For 10454T**

Select a location to install tissue holder. As Fig.2 shown, mark the center point on the finished wall, and keep the center-to-center distance at 170~195mm. Use a level to ensure that all center points are horizontal and equidistance.



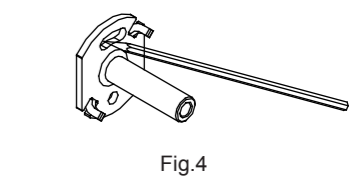
Mark anchor(1) hole location vertically 12.7mm above and below the center point as Fig.3 shown. Drill hole in the finished wall as required.



**Note:** Ensure that all center points are horizontal, otherwise may result in slant of tissue holder.

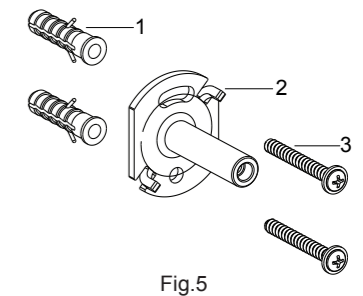
**Only For 487T/490T/492T/10456T/37352T/37354T**

Select a location on the vertical wall to install the bracket. As Fig 4 shown, mark anchor mounting hole location on wall as shown, ensure the large slotted mounting hole of the plate upward, the smaller hole of the plate downward and two screw holes are vertical. Drill hole in the finished wall as required.



**For All Products**

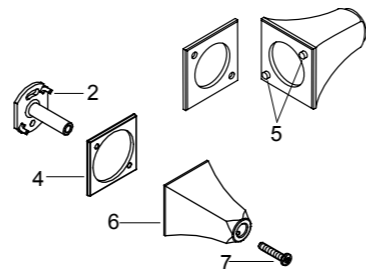
As Fig 5 shown, press the anchor(1) into the hole. Orienting the large slotted mounting hole of the plate upward, the smaller hole of the plate downward and two screw holes are vertical, secure the plate(2) with the self-tapping screw(3).



### How To Install The Bonnet

Position the escutcheon(4), if included, onto the bonnet(6).

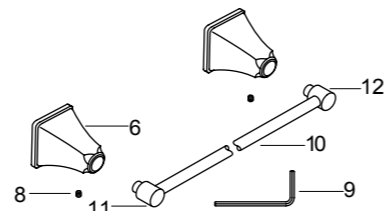
Slide the bonnet onto the bracket(2). Orient the setscrew hole of the bonnet downward. Make sure the bonnet pin(5) engage the indexing hole in the back of the escutcheon, if applicable. Insert a screw(7) into the bonnet and tighten.



**NOTE:** Make sure the bonnet pin engage into the escutcheon hole.

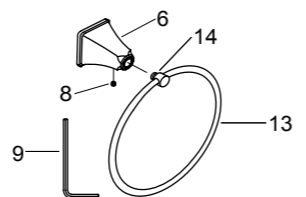
### How To Install The Towel Bar

Slide the shaft of the cylinder head(11)(12) of the towel bar kit(10) into the bonnet(6), orient the cylinder head with the detent facing downward. Tighten the screw(8) into the bonnet with the hex wrench(9) to secure the towel bar kit.



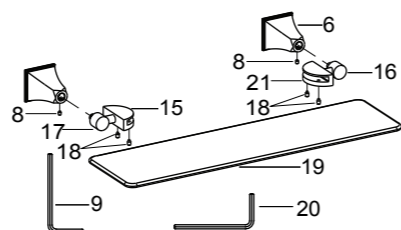
### How To Install The Towel Ring

Slide the shaft of the cylinder head(14) of the towel ring kit(13) into the bonnet(6), orient the cylinder head with the detent facing downward. Tighten the screw(8) into the bonnet with the hex wrench(9) to secure the towel ring kit.



### How To Install The Glass Shelf

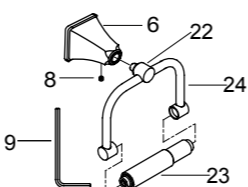
Slide the shaft of the cylinder head(16)(17) of the shelf kit(15)(21) into the bonnet(6), ensure the brackets are horizontal and two cylinder heads with the detent facing downward. Tighten the screw(8) into the bonnet with the hex wrench(9) to secure the shelf kit.



Slide the shelf(19) through the slot on the bracket. Ensure the shelf is in the center of the slot on the bracket and horizontal. Tighten the setscrew(18) with the hex wrench(9).

### How To Install The TP Holder

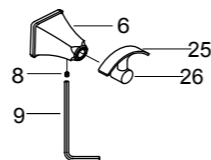
Slide the shaft of the cylinder head(22) of the tissue holder kit(24) into the bonnet(6), orient the cylinder head with the detent facing downward. Tighten the screw(8) into the bonnet with the hex wrench(9) to secure the tissue holder kit.



Disassemble the tissue spindle(23) from the tissue holder kit(24) as required, insert roll paper and assemble it back to the tissue holder kit.

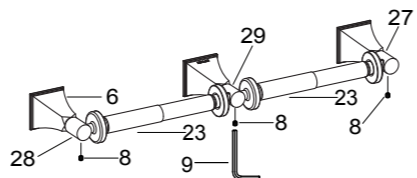
### How To Install The Robe Hook

Slide the shaft of the cylinder head(26) of the robe hook kit(25) into the bonnet(6), orient the cylinder head with the detent facing downward. Tighten the screw(8) into the bonnet with the hex wrench(9) to secure the robe hook kit.



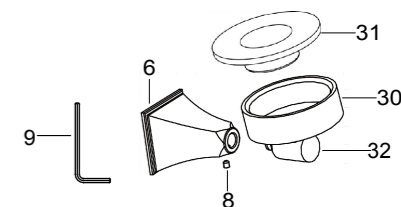
### How To Install The Dual TP Holder

Slide the shaft of the cylinder head of the tissue holder kit(27)(28)(29) into the bonnet(6), orient the cylinder head with the detent facing downward. Tighten the screw(8) into the bonnet with the hex wrench(9) to secure the dual tissue holder kit. Disassemble the tissue spindle(23) from the tissue holder kit as required, insert roll paper and assemble it back to the dual tissue holder kit.



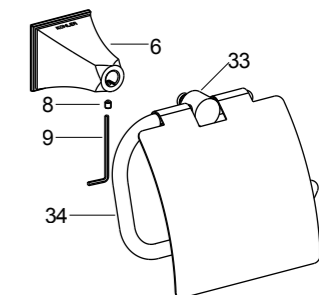
### How To Install The Soap Dish

Slide the shaft of the cylinder head(32) of the soap dish kit(30) into the bonnet(6), orient the cylinder head with the detent facing downward. Tighten the screw(8) into the bonnet with the hex wrench(9) to secure the soap dish kit. Insert the dish(31).



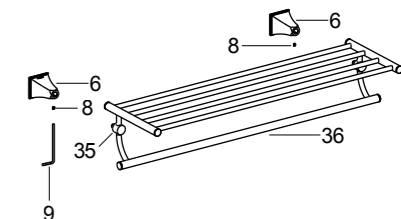
### How To Install The Covered Toilet Paper Holder

Slide the shaft of the cylinder head(33) of the toilet paper holder kit(34) into the bonnet(6), orient the cylinder head with the detent facing downward. Tighten the screw(8) into the bonnet with the hex wrench(9) to secure the toilet paper holder kit.



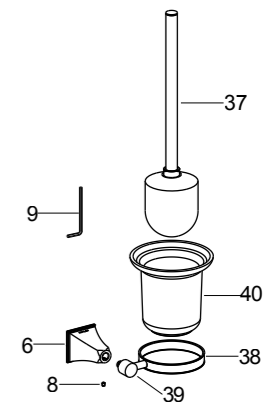
### How To Install The Double Towel Shelf

Slide the shaft of the cylinder head(35) of the double towel shelf kit(36) into the bonnet(6), orient the cylinder head with the detent facing downward. Tighten the screw(8) into the bonnet with the hex wrench(9) to secure the double towel shelf kit.



### How To Install The Toilet Brush Holder

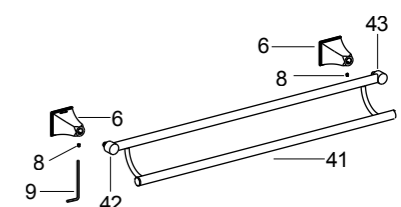
Slide the shaft of the cylinder head(39) of the toilet brush holder kit(38) into the bonnet(6), orient the cylinder head with the detent facing downward. Tighten the screw(8) into the bonnet with the hex wrench(9) to secure the toilet brush holder kit.



Slide the glass holder(40) into the toilet brush holder, then slide the brush (37) into the glass holder. If necessary, disassemble brush from the toilet brush holder, then reinstall the brush to the brush holder.

### How To Install The Double Towel Bar

Slide the shaft of the cylinder head(42)(43) of the double towel bar kit(41) into the bonnet(6), orient the cylinder head with the detent facing downward. Tighten the screw(8) into the bonnet with the hex wrench(9) to secure the double towel bar kit.



## INSTALLATION CHECKOUT

Ensure that all connections are tightened.

Ensure all setscrews face straight down.

## CLEANING INSTRUCTIONS

All Finishes: Clean the finish with mild soap and warm water. Wipe entire surface completely dry with a clean soft cloth. Many cleaners may contain chemicals, such as ammonia, chlorine, toilet cleaner etc. Which could adversely affect the finish and are not recommended for cleaning.

Do not use abrasive cleaners or solvents on Kohler faucets and fittings.