

BEFORE YOU BEGIN

开始之前

- Congratulations on your purchase of this high quality Bathroom Accessory. Before proceeding with the installation, please carefully read this installation instruction in order to ensure proper care and assembly of this accessory.
- Please keep this installation instruction for future reference.
- 首先恭喜您购买到了高档的卫浴产品，为了使您正确保护和组装产品，在您安装之前请仔细阅读此说明书。
- 请保留此说明书以备参考。



Prior to drilling into walls, check there are no hidden electrical wires, cables or water supply pipes with the aid of an electronic detector. If you use power tools do not forget:

1. Wear eye protection.
2. Unplug equipment after use.

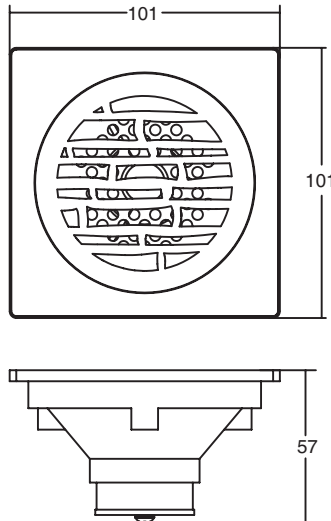


警示：在钻孔之前，请借助电子探测仪确认墙内是否有电源线，通讯光缆或者水管之类的东西。如果使用电钻的话请勿忘记以下两点：

1. 请戴上防护镜。
2. 用完设备后关掉电源。

ROUGHING-IN

尺寸图



UNIT : mm
单位：毫米

科勒(中国)投资有限公司
上海市闸北区江场三路158号 邮编：200436

INSTALLATION

安装步骤

Pre-installation preparations: Clean the drainage pipeline with water and ensure it is unblocked. Block the pipeline orifice with cloth to prevent blocking due to articles falling into the pipeline during installation.

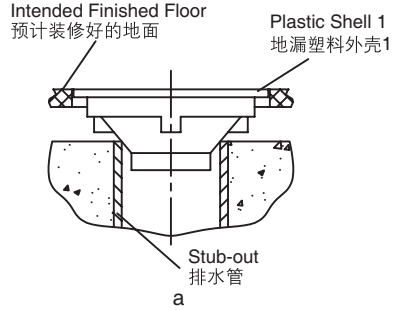
安装前先将排水管道清理干净，用水冲洗，检查排水管道是否畅通，然后用布料将管口塞住，以防在安装中杂物掉入管内造成堵塞。

1. Make sure the place to install the drain is the lowest point of the whole finished floor.

1. 请确保地漏安装位置是整个装修好地面的最低点。

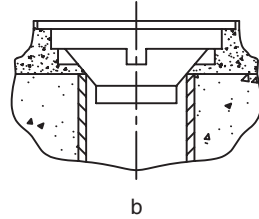
2. Reserve height for the drainage pipeline according to the pipeline diameter and the height of the intended finished floor. Refer to Fig.a.

2. 根据排水管的直径和预计装修好地面的高度，决定排水管的预留高度。如图a。



3. Take out the drain body, cover and core. Put the plastic shell into the pipeline and then caulk the gap with pre-blended cement and mortar (1:1). Refer to Fig.b.

3. 安装时先将地漏本体，过滤盖和内芯取出，直接把地漏塑料外壳套入管道中，用搅拌好的水泥砂浆(1:1)填入周围空隙中。如图b。

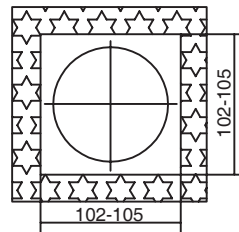
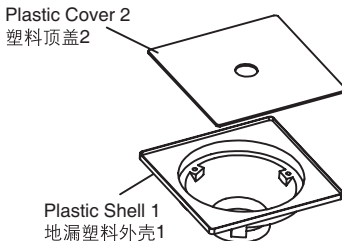


4. Level the drain and install it according to the pre-decided installation height. Caulk the surrounding gaps. Refer to Fig.b.

4. 按照确定的安装高度，找正，安装地漏。用水泥填充周围空隙。如图b。

5. Put the plastic cover in place. Drill holes on the floor tile (refer to Fig.c.) and then tile the floor.

5. 盖上塑料顶盖2，在地砖上开孔(如图c示)，将地砖铺好。



c

6. Caulk the gap with cement and then clean the excessive cement.

6. 用水泥填充地漏与瓷砖间隙。去除多余水泥。

7. Take out the cloth and the plastic cover after all the decoration and cleaning are finished.

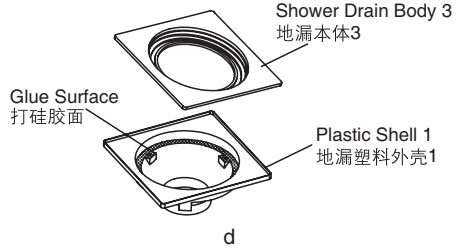
7. 待所有装修及清洁工作完成后，取出管道中的布料和塑料顶盖。

8. Fix the drain body onto the plastic shell with silicon sealant. Refer to Fig.d.

Caution: Please apply the silicone sealant continuously and evenly on the whole surface as marked in Fig.d.

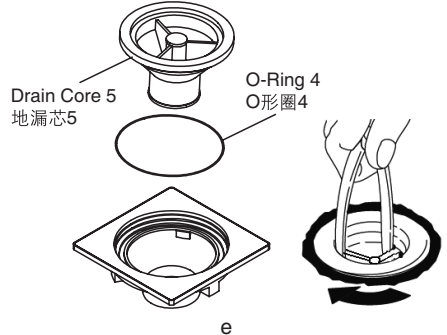
8. 用硅胶将地漏本体3固定在塑料外壳1上，如图d所示。

注意：硅胶必须涂在图中标示的整个面上，均匀连续！



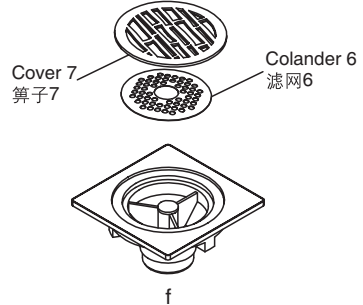
9. Connect drain core and o-ring with drain body (refer to Fig. e). Tighten drain core with clamp to prevent waste water overflow from the drainage.

9. 按照图e所示，一次将4、5，地漏本体3上，用钳子把手将地漏芯旋紧以达到防止污水返溢的功能。



10. Connect colander and cover with drain core (refer to Fig.f).

10. 按照图f所示将滤网6和盖子7放到地漏芯上即可。



11. Please clean hair and garbage in the colander and the core at regular intervals to unblock the drain and ensure deodorization.

11. 为保证排水顺畅及防臭效果，请定期清理滤网和滤芯内的发丝和垃圾。

CARING FOR YOUR PRODUCTS

保养须知

The accessories should be washed with warm water and a soft cloth or sponge. Do not use abrasive cleaners or cleaners containing bleach.

为了更好地保养本品，请您用温水和软毛巾(或海绵)擦拭，含有腐蚀性或漂白剂的洗洁剂对本品有害。