

R72415T Multi Function Hand Shower-Geometric R72421T Multi Function Hand Shower-Organic

BEFORE YOU BEGIN

All information is based on the latest product information available at the time of publication. Kohler Co. reserves the right to make changes in product characteristics, packaging, or availability at any time without notice.

Please leave these instructions for the consumer. They contain important information.

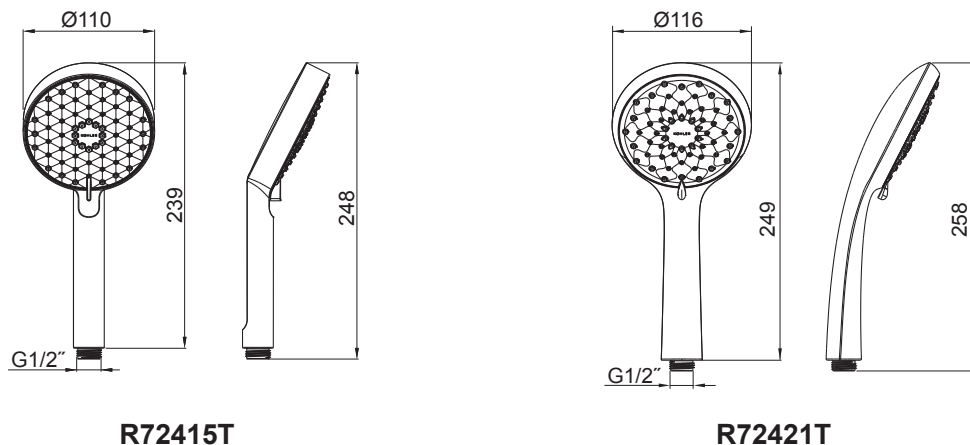
NOTES:

1. Flush the water supply pipes thoroughly to remove debris.
2. The highest working pressure for spray is 0.5MPa(5 bar). If it exceeds 0.5MPa(5 bar), a pressure reducer is needed. The highest water and environment temperature is 60°C. Please keep handspray, shower head and the shower arm away from heater, or it may become damaged and cause injury to the user.

STANDARD APPLICABLE

Special model meets or exceeds the following at date of manufacture: TIS

ROUGH-IN DIMENSIONS



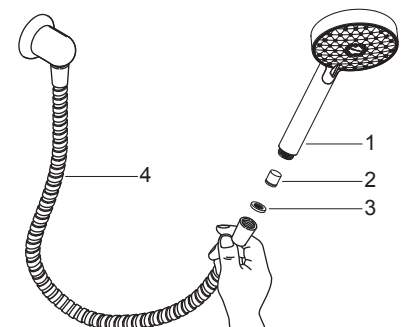
INSTALLATION

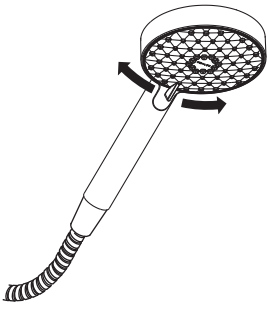
Flush both water supply for about one minute before the hand shower(1) is installed.

Install check valve(2) into the shower inlet if needed. Put the screen washer(3) into the shower hose(4) connector. Attach the hand shower to shower hose.

Note: Don't over tighten.

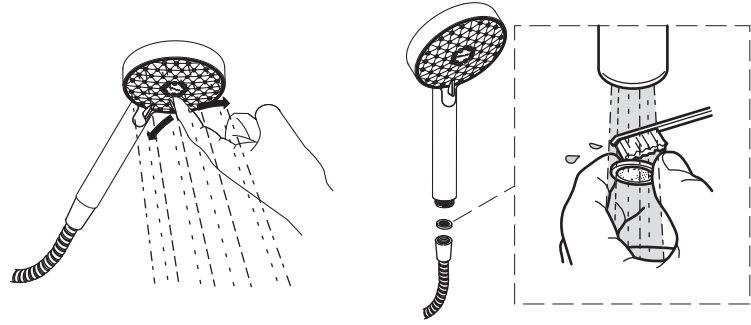
Connect another end of shower hose to the water supply.





How To Operate The Hand Shower

Rotate the knob of the hand shower to change the water flow.



How To Maintain The Hand Shower

Any debris or mineral build-up may cause the flow stream to become distorted or reduce the flow rate. To remove the debris or mineral build-up, run water through the hand shower, firmly press or rub your finger back and forth across the rubber nozzles.

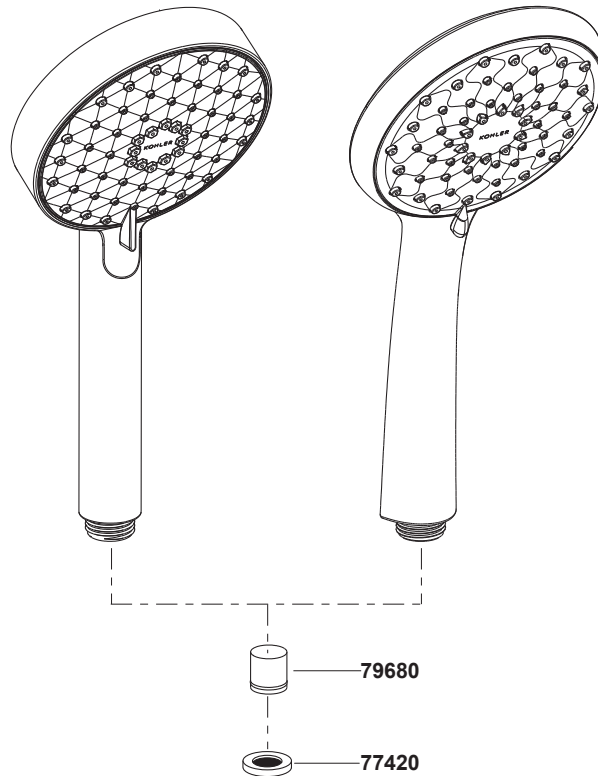
Remove and clean the screen washer.

CLEANING INSTRUCTIONS

All Finishes: Clean the finish with mild soap and warm water. Wipe entire surface completely dry with clean soft cloth. Many cleaners may contain chemicals, such as ammonia, chlorine, toilet cleaner etc, which could adversely affect the finish and are not recommended for cleaning.

Do not use abrasive cleaners or solvents on Kohler faucets and fittings.

SERVICE PARTS



**Color code must be specified when ordering