

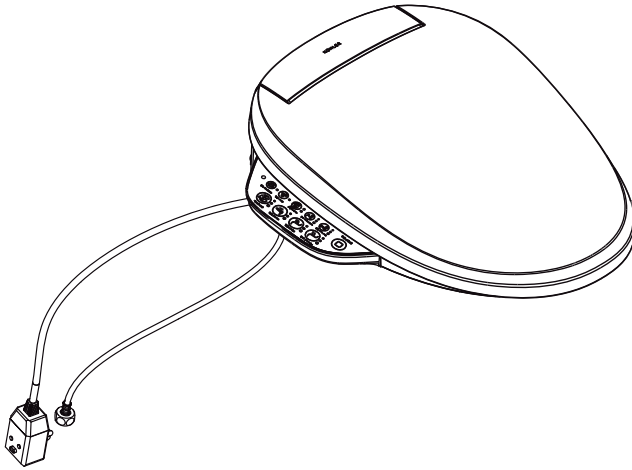
Installation Guide 安装说明

Smart Seat

清舒宝智能便盖

C3-150

K-8297T-HC-0



科勒（中国）投资有限公司

中国上海市静安区江场三路158号 邮编：200436

制造商：上海科勒电子科技有限公司

中国上海市宝山区丰翔路1955号 邮编：200444

中文简体页码 2-7

中文繁體頁碼 8-13

English page 14-19

한글 페이지 20-25

1350272-T01-B

KOHLER®

Thank You For Choosing Kohler Company

We appreciate your commitment to Kohler quality. Please take a few minutes to review this manual before you start installation. If you encounter any installation or performance problems, please don't hesitate to contact us. Thanks again for choosing Kohler Company.

Tools and Materials



Adjustable Wrench



Blade screwdriver

Before You Begin



WARNING: Risk of electric shock, fire or personal injury. This product must be installed safely.



WARNING: Risk of electric shock or product damage. Do not immerse product within water.

NOTICE: To avoid possible product malfunction, do not plug in the seat until instructed to do so.

IMPORTANT! Risk of product damage. Do not install seat in a location where water might be splashed on the product

IMPORTANT! Risk of product damage. Do not install this seat in a location exposed to excessive moisture where condensation might form on the product surface. Provide adequate ventilation to avoid damage to the electronic components due to high humidity levels.

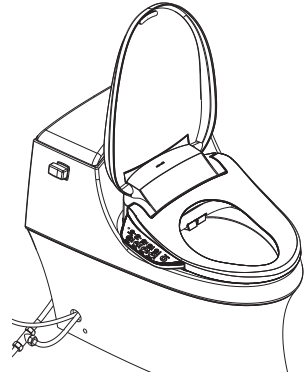
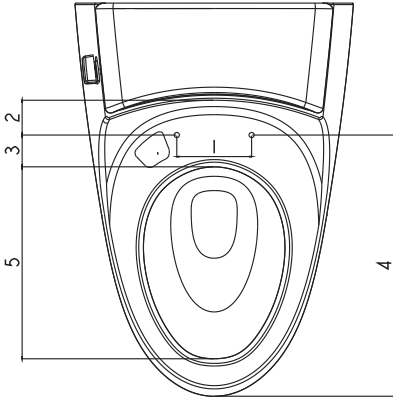
IMPORTANT! Risk of product or property damage. Pushing or pulling on the water connection may cause water leakage.

IMPORTANT! Risk of product damage. Do not apply excessive force to the spray wands. Product may break.

IMPORTANT! Risk of product damage. Align thread when connecting water inlet hose, otherwise product water inlet thread might damage which should cause water leak.

- Observe all local plumbing, electrical, and building codes.
- All information in these instructions is based upon the latest available product information. Kohler Company reserves the right to make changes at any time without notice.
- Do not use an extension cord with this product.
- Min water pressure 0.07Mpa (dynamic pressure)
Max water pressure 0.74Mpa.
- Only connect to water supply at a drinking quality .
- Unplug the seat and drain the seat if the functions of the seat will not be operated for an extended period of time.
- When install the product in the room, a stop valve shall be installed in a close proximity. For emergency circumstances, the water inlet valve shall be stopped without using any tools; otherwise unexpected failure may cause the loss to the customer.

1. Proper Toilet Cover Dimension Requirement and Installation tips.



1. Mounting hole dimension: 140mm
2. Mounting hole to water tank dimension: $> 20\text{mm}$
3. Mounting hole to toilet ring distance: $< 70\text{mm}$
4. Mounting hole to toilet top distance: 460-490mm
5. Toilet ID dimension: 370-390mm
6. The electrical outlet should be located within 1m of the toilet to accommodate the length of the power cord.

2. Install an Electrical Outlet

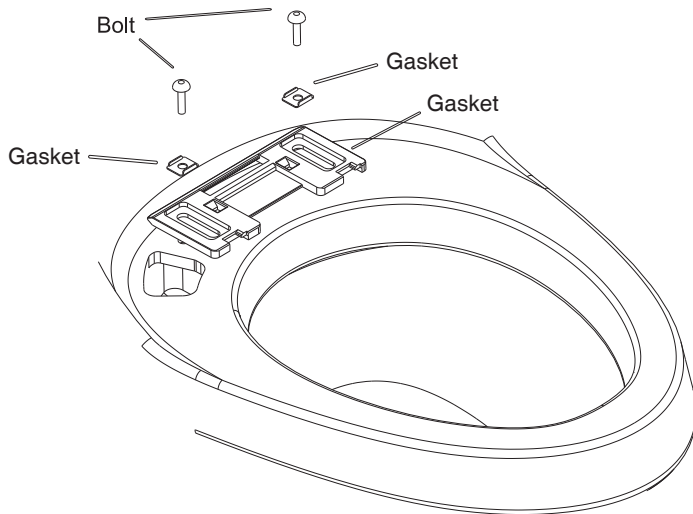


Warning: Risk of electric shock, fire or personal injury.
This product must be installed safely.

- Suggest to use water proof socket. Do not use an extension cord with this product. Note: Observe all local plumbing and building codes.

3. Preparation

- Turn off the water supply to the toilet.
- Flush the toilet to relieve any pressure from the water supply pressure.
- Place one container under water inlet valve for excessive water.
- Disconnect the water supply hose from the toilet water inlet valve.
- Remove current seat.



4. Install Mounting Plate

Note: align left/right mounting plate with mounting holes, bend mounting plate upwards.

- Position the mounting plate over the mounting holes on the bowl.
- Insert screw into gasket separately.

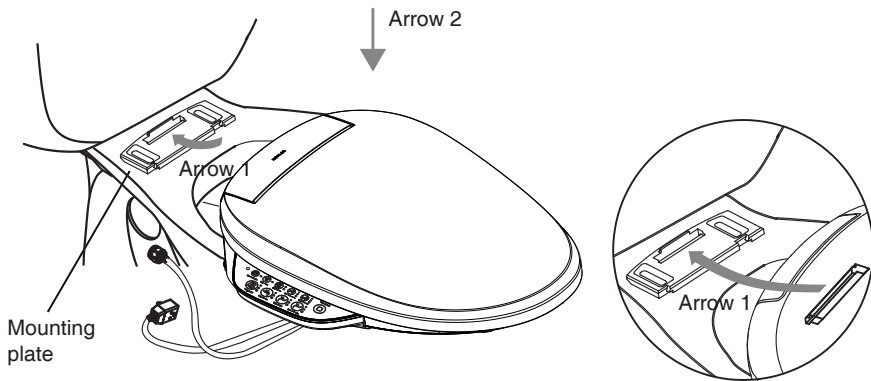
Note: some toilet base plate has already equipped with threaded insert, no nut required for such toilet.

Toilet with threaded inserts:

- Snap screws into mounting board and toilet mounting holes, move washer so to snap into the mounting board groove. Pay attention to the washer direction: bending side upwards for washer close to hole.
- Tighten bolts slightly towards threads direction. Loosely thread a nut onto each of the bolts for future adjustment.

For all other toilets installation:

- Position the mounting plate over the mounting holes on the bowl.
- Place each screw into washer, pay attention to the washer direction: bending side upwards for washer close to the hole.
- Insert each bolt through the mounting plate and into the mounting holes.
- Position the left/right mounting plate so to rest in the grooves of the mounting plate.
- Loosely thread a nut onto each of the bolts. Manual tighten nuts.



5. Install the seat

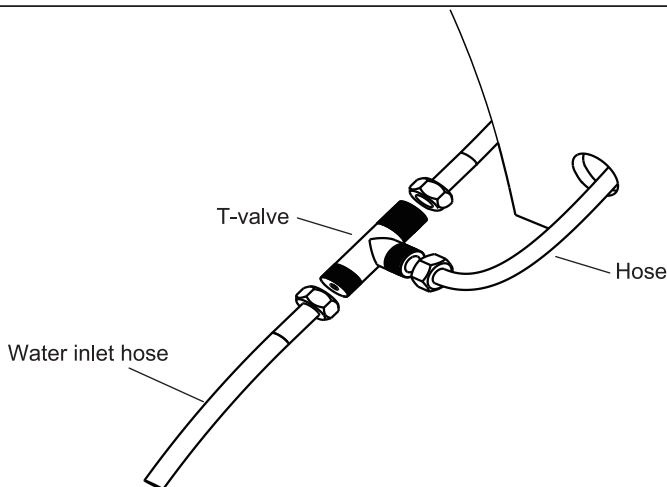
- Slightly lift cover front tip, observe rear bugle slot, guide mounting plate into the groove (per arrow 1 direction) Align the slot on the mounting plate with the groove located below the toilet seat.
- Slide the seat onto the mounting plate, front tip downwards (per arrow 2 direction) until you feel it snaps into place.

For Toilets without Threaded Inserts:

- To adjust cover position, do not remove cover; only loosen screws to adjust cover and mounting plate position. Tight down the bolts when desired position is acquired.

For Toilets with Threaded Inserts:

- To adjust cover position, remove cover first, readjust mounting plate position.
- Once the mounting plate is confirmed, tighten screws, fasten mounting plate, re-install cover.

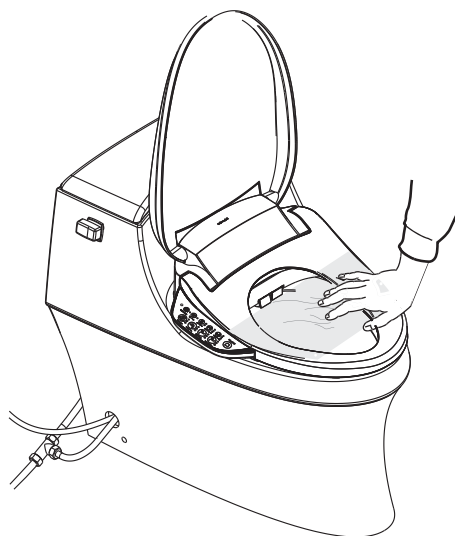


6. Connect the water supply

IMPORTANT! Risk of product damage. Align water inlet hose with seat cover thread. Use care to avoid cross threading or over tighten the connector. Manual tighten connector and then use tool to tighten bolts for another $\frac{1}{4}$ circle.

IMPORTANT! Risk of product damage. Use care to avoid product surface scratch

- Connect the T-valve with toilet water inlet hose.
Note: For new installed pipeline system, before connect water inlet hole with T-valve, discharge water for a few second to eliminate sand or stain within hose
- Remove the orange rubber cap of Bidet inlet valve.
- Connect the T-valve to the seat with the hose.
Note: Please use new hose enclosed with tools. Please do not reuse the old hose.
- Connect T-valve to water supply system (valve shall be purchased by customer).
- Turn on water supply.
Note! Completely clean water supply hose to eliminate any debris within pipeline. Use drinking quality water, do not use industrial water, waste water, sewage water or sea water.
- Check all connections for leaks and make any adjustment as needed.



7. Installation Checkout

- Ensure if water inlet valve is OPEN.
- Wrap the toilet seat with plastic wrap. This will prevent water from spraying from the toilet during testing.
- Plug power cord into socket, Bidet seat generate one short beep, wand extend and retract once, side panel backlight and night light blink until initialization completion.
- Attach the clips along the hose and power cord.
- The seat is activated by skin-to-seat contact. To activate the seat controls for testing purpose, when facing the toilet, place your hand or a damp wash cloth on the right side of the seat approximately 1/3 from the front of the seat (as illustrated).
- Continue reference “Operation” section within user’s manual to checkout different functions.

謝謝您選擇科勒公司

我們感謝您對科勒質量的信任。在您開始安裝前，請花幾分鐘的時間閱讀這本手冊。如果您在安裝或性能方面遇到任何問題，務必請您與我們聯系。再次感謝您選擇科勒公司。

工具和材料



可調節扳手



壹字螺絲刀

安裝之前



警告： 触电、火灾或人身伤害的危險。本产品必须安全接地。



警告： 觸電或產品損傷的危險。不要把產品浸沒在水中。

重要！ 產品損傷的危險。在所有其它安裝步驟結束之前不要插電源線播頭。

重要！ 產品損傷的危險。不要把產品安裝在水可能濺到的地方。

重要！ 產品損傷的危險。不要把產品安裝在過分潮濕的地方，在這種地方，水汽可能凝聚在產品表面。請始終保持使用環境有足夠的通風，以防止電子組件的損壞。

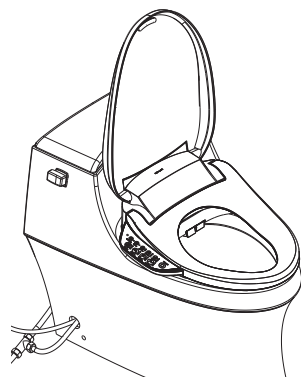
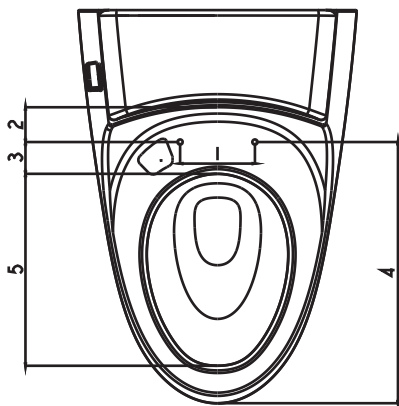
重要！ 產品損壞或財產損失的危險。硬推，硬拉水管接頭可能造成水滲漏。

重要！ 產品損傷的危險。不要在噴嘴上施加過大的力，否則產品可能損壞。

重要！ 產品損傷的危險。連接本产品進水管時要小心對正螺紋，否則會損壞產品進水口螺紋，造成漏水。

- 遵守所有當地的管道和建築標準。
- 這本說明中所有的信息基於最新公開的產品信息。科勒公司保留在任何時間不通知的情況下做改變的權利。
- 不要使用延長電線連接產品。
- 最小進水壓力0.07Mpa（動壓）
最大進水壓力0.74Mpa。
- 只能連接到水的水源。
- 如果產品長時間不用，請拔下插頭並排幹本機裏的水。
- 在安裝本產品的同一房間中，需要在觸手可及的位置安裝一個止水閥，用於緊急情況下，無需借助工具即可切斷本產品的進水水路；否則本產品的意外故障可能會導致使用者損失。

1. 適配座便蓋尺寸要求及安裝小貼示



1. 安裝孔的間距：140mm
2. 安裝孔與水箱的距離： $> 20\text{mm}$
3. 安裝孔與座便器內圈的距離： $< 70\text{mm}$
4. 安裝孔到座便器頂端的距離：460-490mm
5. 座便器內徑尺寸：370-390mm
6. 安裝前請在座便器左側約1米範圍內預留電源插座。

2. 安裝電路出口

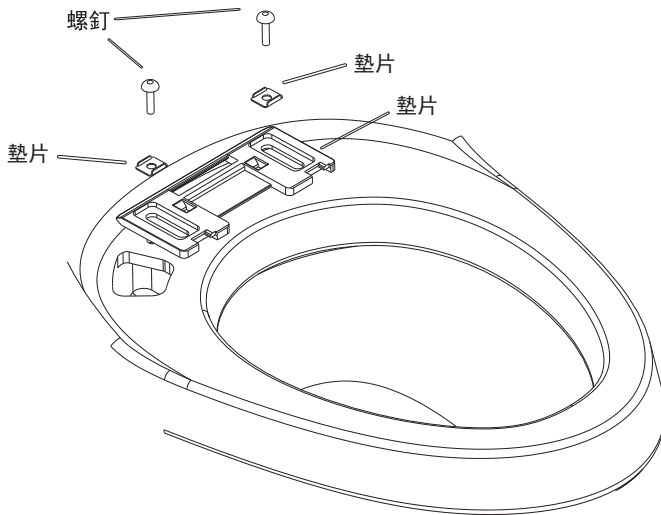


警告：触电、火灾或人身伤害的危险。本产品必须安全接地。

- 建議使用防水型插座，不要使用延長電線連接產品。
注意：在決定電路出口位置時，要按照當地的標準。

3. 準備

- 關閉座便器的供水系統。
- 沖洗座便器，釋放來自供水管的壓力。
- 在進水閥下方旋轉壹個窗口裝多余的水。
- 斷開座便器進水閥與供水管的連接。
- 移除現有的座圈。



4. 安裝安裝板

注意：左、右安裝板壓板與安裝板上的孔形對應，安裝板壓板折彎向上。

- 在座便器安裝孔上方放置安裝板
- 把螺釘分別插入墊片。

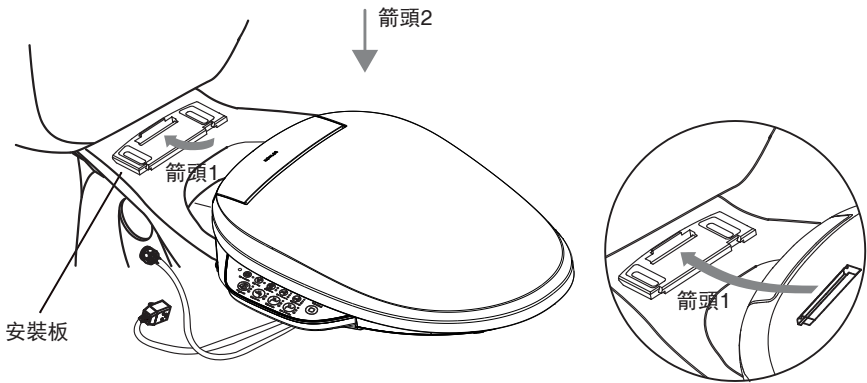
注意：壹些座便器的底板孔內已經有螺紋，這種座便器不需要螺母。

對有螺紋孔的座便器：

- 把螺釘插入安裝板和座便器安裝孔內，移動墊圈，使之卡在安裝板的凹槽內，注意墊片方向：墊片近孔彎折處向上。
- 順著螺紋輕輕地擰緊螺釘，不要擰得過緊，以便調整。

對其他座便器：

- 在座便器安裝孔上方放置安裝板。
- 把每個螺絲分別插入墊圈內，注意墊片方向：墊片近孔彎折處向上。
- 把螺釘插入安裝板和座便器的安裝孔內。
- 移動左、右安裝板壓板，使之置於安裝板上對應的凹槽內。
- 在每個螺釘擰上螺母，用手擰緊螺母。



5. 安裝座便蓋

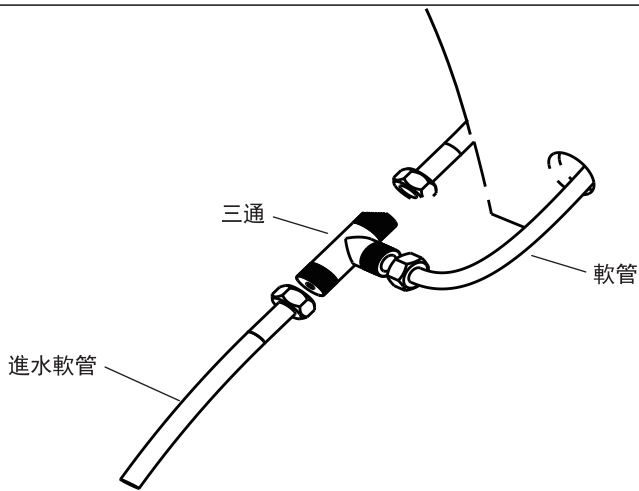
- 座便器前端略微抬起，觀察後端凸出卡槽，正確導入安裝板的凹槽內（按箭頭1）。
- 向後推到底時，前端向下（按箭頭2）按，聽到“啣嚙”聲後，說明安裝到位。

對無螺紋孔的座便蓋：

- 要調節座便蓋的位置，不需移除座便蓋，只需擰松螺母，調節座便蓋及安裝板的位置，當位置適當時，直接擰緊螺母即可。

對有螺紋孔的座便蓋：

- 要調節座便蓋位置，請先移除座便蓋，重新調節安裝板的位置。
- 一旦座便蓋位置確定，擰緊螺釘，緊固安裝板，重新安裝座便蓋。



6. 連接供水系統

重要！ 產品損傷的危險。小心對正進水管與座便蓋的螺紋，不要破壞螺紋或過於擰緊接頭。為了牢固的擰緊接頭，用手擰緊後用工具再擰緊1/4圈。

重要！ 產品損傷的危險。小心不要刮傷產品表面。

- 直接將三通與座便器進水管口相連。
注意：對新安裝的管路系統，在將進水軟管連接至三通以前，須直接排水水數秒，以清除管道內沙石，污垢等。
- 移去座便器進水閥端口的橙色橡膠帽。
- 用提供的軟管連接三通和座便器。
注意！必須使用隨器具附帶的新軟管組件，舊軟管組件不能重複使用。
- 把三通與供水系統相連（角閥需客戶自行購買）。
- 打開供水系統。
注意！壹定要先徹底沖洗供水管以清除管道中的雜質，使用水源為飲用自來水，切勿使用工業用水，廢水，汗水以及海水。
- 檢查所有連接是否有漏水，如果需要可做調整。



7. 連接電源及安裝檢查

- 確認進水閥是否已打開。
- 用塑料布包裹在座圈上，防止測試時水噴出。
- 把電源線插上電源插座，座便蓋發出短蜂鳴1次，噴管伸縮1次，側鍵盤上背光燈 / 夜燈閃爍，直至初始化結束。
- 在軟管和電源線間扣上線夾。
- 座圈設計為有落座感應啟動工作。為了激活座圈達到測試的目的，首先面對座便器，然後把手或者壹塊瀑布放在座圈右邊離前端大約1/3處（感應區域）。
- 繼續參考用戶手冊中的“使用方法”部分來測試產品的不同功能。