

BEFORE YOU BEGIN

安装之前

- Please read these instructions carefully to familiarize yourself with the required tools, materials, and installation sequences. Follow the sections that pertain to your particular installation. This will help you avoid costly mistakes. In addition to proper installation, read all operating and safety instructions.
- All information in these instructions is based upon the latest product information available at the time of publication. Kohler China reserves the right to make changes in product characteristics, packaging, or availability at any time without notice.
- These instructions contain important care, cleaning, and warranty information—**please leave instructions for the consumer.**
- 请仔细阅读说明书，熟悉所需工具、材料和安装顺序，参照相关章节完成您所需的安装，以避免昂贵的损失，除了正确的安装外，请详阅所有的操作和安全说明。
- 本说明书所含的一切资料均以印刷时所有的最新产品为准，科勒中国保留权利随时更改产品特性、包装或供应情况，恕不另行通知。
- 本说明书也包含了有关保养、清洁及产品担保等重要信息—请交予用户保存。

ORDERING INFORMATION

VEIL WH Toilet (HT100 TL IWT)	K-20534T-S
Includes Bowl	K-5723T
Includes HYDRO-TOWER 100	
Touchless In-Wall Tank	K-6281T-VLS
Includes Quiet-Close Toilet Seat	K-4141T
VEIL WH Toilet (HT200 PNE IWT)	K-29917T-S
Includes Bowl	K-5723T
Includes HYDRO-TOWER 200 PNE	
In-Wall Tank	K-20007T-VLS
Includes Quiet-Close Toilet Seat	K-4141T
VEIL WH Toilet (HT300 PNE IWT)	K-29918T-S
Includes Bowl	K-5723T
Includes HYDRO-TOWER 300 PNE	
In-Wall Tank	K-20010T-VLS
Includes Quiet-Close Toilet Seat	K-4141T
VEIL WH Toilet (HT300 MEC IWT)	K-29919T-S
Includes Bowl	K-5723T
Includes HYDRO-TOWER 300	
In-Wall Tank W/ Frame	K-4179T-VLS
Includes Quiet-Close Toilet Seat	K-4141T
VEIL WH Toilet (HT100 MEC IWT)	K-20535T-S
Includes Bowl	K-5723T
Includes HYDRO-TOWER 100	
In-Wall Tank W/ Frame	K-6284T-VLS
Includes Quiet-Close Toilet Seat	K-4141T
VEIL WH Toilet (HT100 TL IWT)	K-25092T-S
Includes Bowl	K-5723T
Includes HYDRO-TOWER 100 Touchless	
In-Wall Tank W/ Bevel FP	K-21298T-VLS
Includes Quiet-Close Toilet Seat	K-4141T
VEIL WH Toilet (HT100 PNE IWT)	K-25093T-S
Includes Bowl	K-5723T
Includes HYDRO-TOWER 100 PNE	
In-Wall Tank with Frame	K-22524T-VLS
Includes Quiet-Close Toilet Seat	K-4141T

订购信息

维亚挂墙式座便器(海德丽100自动感应水箱).....	K-20534T-S
含缸体	K-5723T
含海德丽100	
自动感应入墙式隐藏水箱	K-6281T-VLS
含现代加长型缓降座便器盖板(净雅版)	K-4141T
维亚挂墙式座便器(海德丽200气动水箱).....	K-29917T-S
含缸体	K-5723T
含海德丽200	
气动入墙式隐藏水箱	K-20007T-VLS
含现代加长型缓降座便器盖板(净雅版)	K-4141T
维亚挂墙式座便器(海德丽300气动水箱).....	K-29918T-S
含缸体	K-5723T
含海德丽300	
气动入墙式隐藏水箱	K-20010T-VLS
含现代加长型缓降座便器盖板(净雅版)	K-4141T
维亚挂墙式座便器(海德丽300机械水箱).....	K-29919T-S
含缸体	K-5723T
含海德丽300	
入墙式隐藏水箱	K-4179T-VLS
含现代加长型缓降座便器盖板(净雅版)	K-4141T
维亚挂墙式座便器(海德丽100机械水箱).....	K-20535T-S
含缸体	K-5723T
含海德丽100	
入墙式隐藏水箱	K-6284T-VLS
含现代加长型缓降座便器盖板(净雅版)	K-4141T
维亚挂墙式座便器(海德丽100自动感应水箱).....	K-25092T-S
含缸体	K-5723T
含海德丽100自动感应	
入墙式隐藏水箱	K-21298T-VLS
含现代加长型缓降座便器盖板(净雅版)	K-4141T
维亚挂墙式座便器(海德丽100气动水箱).....	K-25093T-S
含缸体	K-5723T
含海德丽100	
气动入墙式隐藏水箱	K-22524T-VLS
含现代加长型缓降座便器盖板(净雅版)	K-4141T

No.2 KOHLER ROAD, SANSHUI CENTRAL INDUSTRIAL PARK, LEPING TOWN, SANSHUI DIST., FOSHAN, GUANGDONG, PRC POST CODE 528137
 广东省佛山市三水区乐平镇三水中心工业园区科勒大道2号 邮编: 528137

8# MENGSHAN RD, ECONOMIC DEVELOPMENT ZONE OF HUANTAI, ZIBO, SHANDONG, CHINA POST CODE: 256410
 山东省淄博市桓台经济开发区蒙山路8号 邮编: 256410

NOTES

- Observe all local plumbing and building codes.
- Shut off the water supply.
- Passageways is 57mm.
- Ensure that the new drain and shut-off valve have the correct roughing-in dimensions. **See Fig.#1.**
- Be very careful while working with vitreous china products. Vitreous china can break or chip if the bolts or nuts are overtightened, or if carelessly handled.
- Carefully inspect the new bowl for any sign of damage.
- Fixture dimensions are nominal and conform to tolerances established by ASME Standards (A112.19.2-2013).
- This product complies with GB 25502-2017. Water Efficiency Grade 1.

注意

- 请遵守当地所有给排水及建筑规定。
- 关闭供水。
- 排污通道为57mm。
- 确保新排污管和止水阀坑距尺寸正确，请参阅图1。
- 请小心处理釉面陶瓷产品，因其容易破损和崩裂，故不可把螺栓或螺母上得过紧，且须小心轻放。
- 请仔细检查座便器是否有损坏。
- 部件尺寸为标定值，误差符合美国机械工程师学会标准ASME(A112.19.2-2013)。
- 本产品符合GB 25502-2017。水效等级1级。

TOOLS AND MATERIALS REQUIRED (Not supplied)

- 254mm adjustable wrench
- Metal file (file cut)
- Tape measure
- Tubing cutter
- Level
- Hacksaw
- Putty knife
- Screwdriver
- Straight pipe coupling
- Connection packing

所需工具及材料(不随货供应)

- 254mm活动板钳
- 锉刀
- 卷尺
- 切管刀
- 水平尺
- 钢锯
- 涂油灰刀
- 螺丝刀
- 连接直管
- 连接组件

ROUGHING-IN

尺寸图

Reference Value
参考值

Unit: mm
单位: 毫米

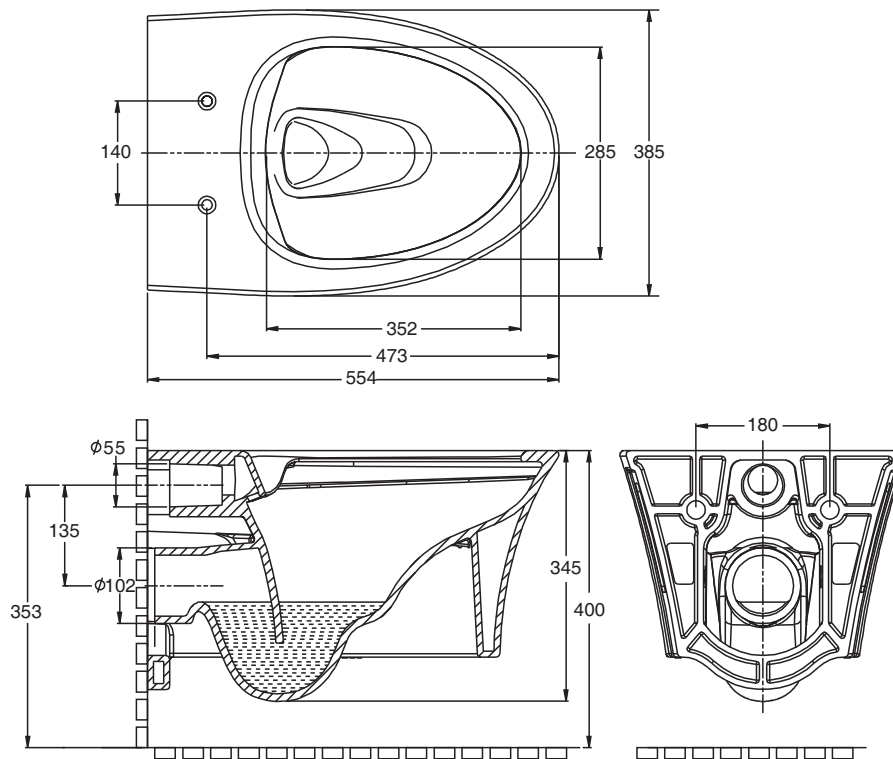


Fig.#1
图1

Kohler reserves the right to change marked dimensions without prior notice.
科勒公司保留随时变更图中标示尺寸的权利，无需另行通知。

INSTALLATION

安装

1. INSTALL THE TANK

- Turn the water supply off before installing the new toilet.
- Install the concealed tank system in wall before decorating the wall.
- Install the tank system per tank's installation instructions.

Note: Refer to installation instructions of in-wall tank for SKU of faceplate.

Recommended rank dimension(Fig.#2-b)

- 1) Rank height should be adjust between 0~200mm.
- 2) Rank should support weight 400kg.

1. 安装水箱

- 安装新座便器前先关闭供水。
- 在装饰墙面前先将入墙式水箱系统安装入墙体内部。
- 参照水箱安装说明书完成水箱系统的安装。

注意：需另配的面板型号请参考水箱说明书。

推荐支架关键尺寸图(图2-b)

- 1) 支架应具备可调节高度调节范围0~200mm。
- 2) 同时可承重400kg。

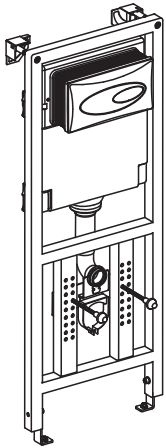


Fig.#2-a
图2-a

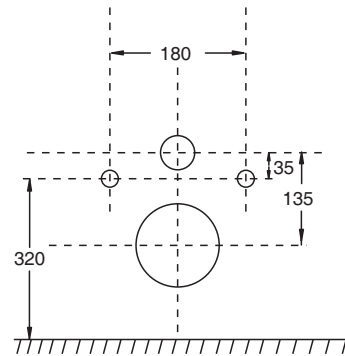
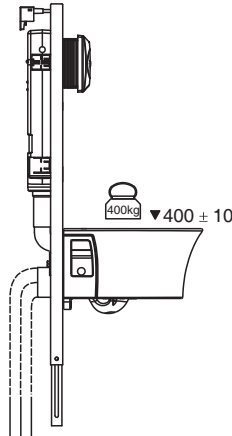


Fig.#2-b
图2-b

2. SET THE SPACING OF THE BOWL

After you install the tank, be careful to set the spacing of the bowl on wall according to the dimensions as shown.

2. 座便器定位

水箱安装完成后，根据图示尺寸，小心地在墙面上定好座便器的位置。

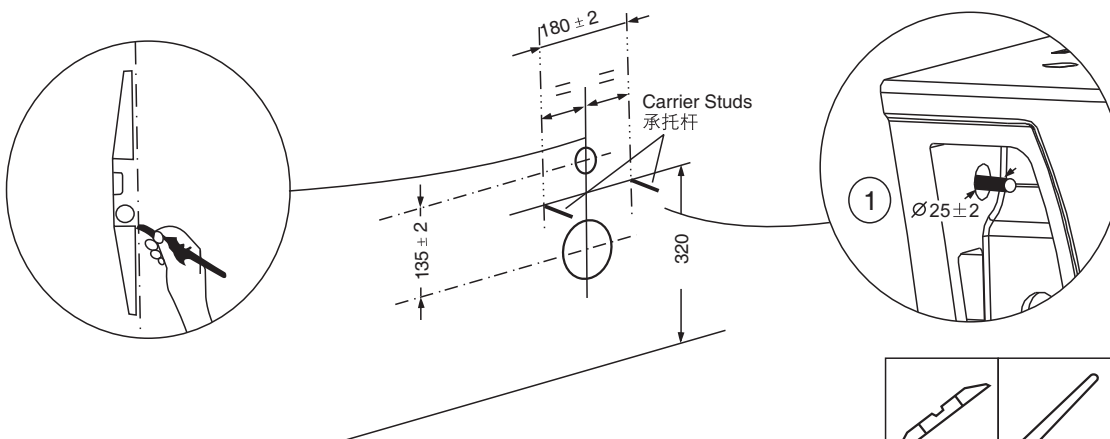


Fig.#3
图3

Unit: mm
单位: 毫米

3. ATTACH CONNECTION PIPE

- Attach pipe with gasket to the inlet to link to the concealed tank.
- Attach pipe with gasket to the outlet.
- *Apply gasket for sealing the bowl to wall.
- You may apply some lubricant to help connect smoothly.

3. 安装连接管

- 连接管装上垫圈，接上入水口，接入墙式水箱。
- 连接管装上垫圈，接上排污口。
- *垫圈使座便器与墙面间严丝合缝。
- 可以使用润滑剂，有助连接。

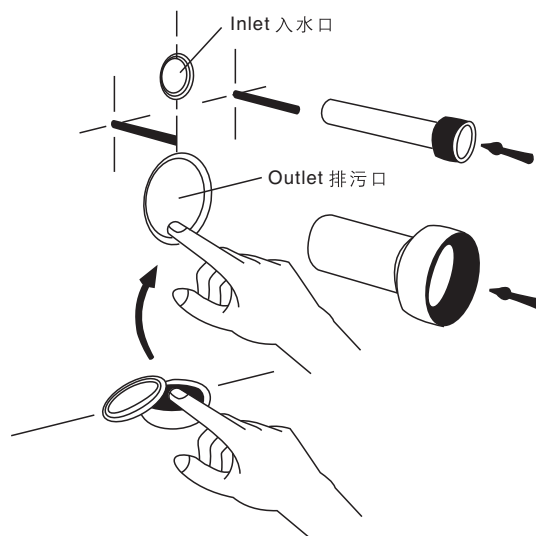
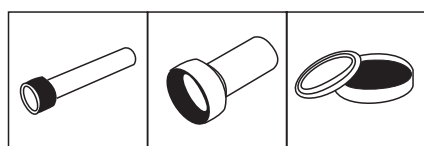


Fig.#4
图4

4. INSTALL THE NEW BOWL

Apply a little silicone sealant along the edge, to fill the gap between bowl and wall. **See Fig. 5a.**

4. 安装新座便器

沿座便器边缘涂少量硅胶密封胶，填补座便器与墙面之间的空隙。见图5a。

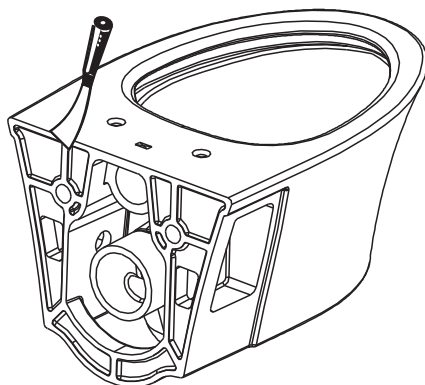


Fig. #5a
图5a

Place the new bowl on the wall through the carrier. Wrench the nut to tighten and make them attached securely. See Fig. 5b.

- Torque for tightening nuts is recommended to be within the range from 8 Nm to 12 Nm.

座便器穿过承托杆置于墙上。上紧螺母，固定座便器。见图5b。

- 上紧螺母所用的扭矩推荐值为8Nm至12Nm。

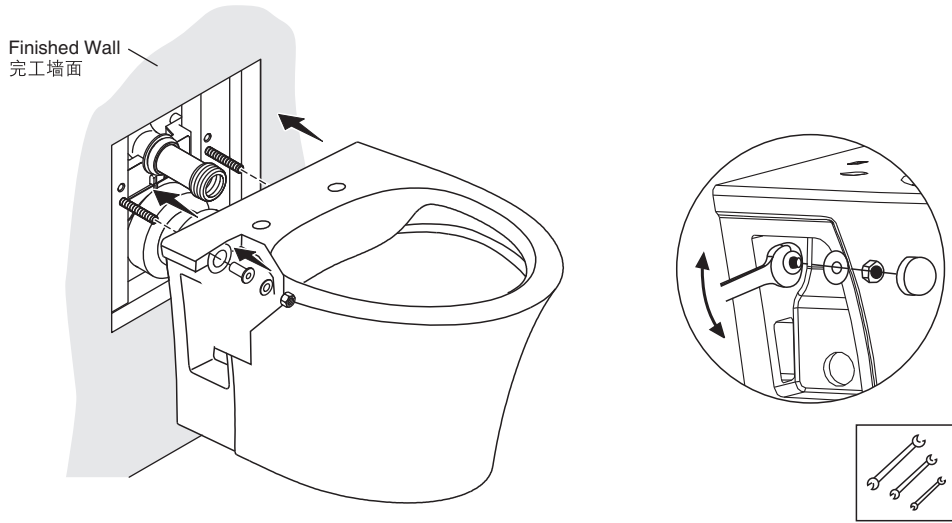


Fig. #5b
图5b

Adjust to horizontal and finish tightening. See Fig. 5c.

座便器调整至水平，然后完成固定。见图5c。

Apply sealant to make sure the bowl's edge seals to the wall. See Fig. 5d.

使用密封胶，保证座便器边缘紧贴墙面。见图5d。

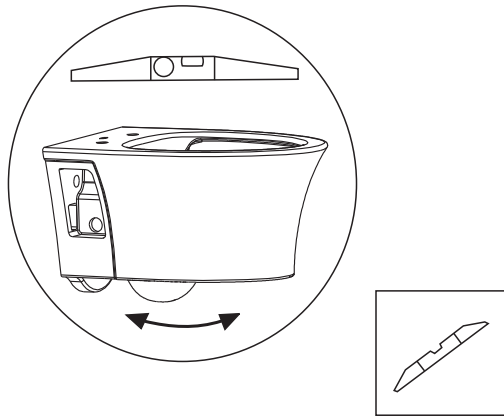


Fig. #5c
图5c

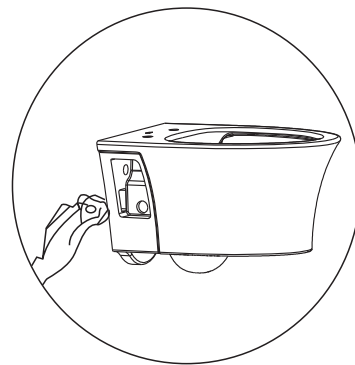


Fig. #5d
图5d

Install the toilet seat according to the toilet seat installation instructions.

根据盖板的安装说明书安装盖板。

5. INSTALL THE SIDE PANELS

NOTE: There is a left and right side panel. They are not interchangeable.

- Clean the vitreous surface where the side panel adhesive locking tape will contact the bowl. Make sure the vitreous surface is dry.
- Determine the correct panel for each side of the bowl.
- Peel the backing off each of the three strips of adhesive locking tape on one of the side panels.
- Carefully align the side panel and press into place.

5. 安装侧板

注意：左右两块侧板不可相互替换。

- 清理与侧板粘贴胶带接触的陶瓷表面，确认陶瓷表面干燥。
- 确认左右侧板的正确安装位置。
- 撕开其中一块侧板的三条粘贴胶带的离型纸。
- 将侧板小心地对准安装位置，按压到位。

- Repeat for the second side panel.

IMPORTANT! Do not remove the side panels for at least 24 hours after installation them. This will allow the adhesive to fully adhere to the vitreous surface.

- 相同步骤安装另一块侧板。

重要! 安装后至少24小时内, 请勿移动侧板, 以使胶带与陶瓷表面粘贴牢固。

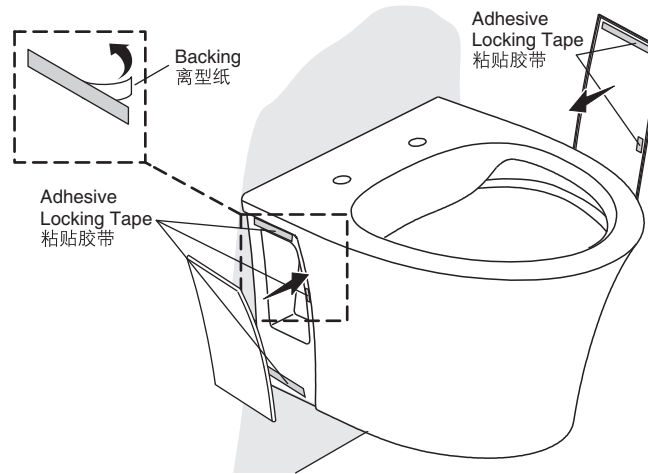


Fig. #6
图6

IMPORTANT CONSUMER INFORMATION 用户须知

CONSUMER RESPONSIBILITIES

If you live in a hard water area, make certain that the holes in the toilet rim are kept clean to ensure proper bowl flushing. Toilet bowl cleaners should be used at least once a week. Use a long-handled brush to clean the rim holes, and to clean as far into the trap as possible to prevent mineral deposits from forming.

Most toilet bowl cleaners are not harmful to the vitreous china surface of the toilet bowl. Please follow the bowl cleaner manufacturers instructions carefully.

Do not use abrasive cleaners or solvents.

WARNING: Risk of property or product damage. Do not use in-tank cleaners. Products containing chlorine (calcium hypochlorite) can seriously damage fittings in the tank. This damage can cause leakage and property damage.

Kohler Company shall not be responsible or liable for any damage to these tank fittings caused by the use of cleaners containing chlorine (calcium hypochlorite).

CAUTION: Don't use any cement while installing the toilet. Heat expansion of the toilet may damage the feet of the toilet. Kohler will not be responsible for any damage because of using cement.

WARNING: Risk of product damage. Do not throw into the toilet what is easy to block it, such as newspaper, paper pilch, sanitary towel. Do not bump the vitreous china with great force to prevent it from damaging and leaking. Do not use the product in the water below 0°C.

CAUTION: Please do not use hard materials (like scouring pad) to clean product surface, especially the product logo.

用户责任

如果你居住地方的水质是硬性, 你必须保持冲水孔清洁, 以确保座便器冲水正常。每星期应最少使用座便器清洁剂清洁一次, 用长把手的刷子清洁冲水孔, 并尽量伸入排污管洗刷, 防止矿物质积聚。

大多数的座便器清洁剂对座便器釉面陶瓷是没有害的, 请认真遵循座便器清洁剂制造商的指示来操作。

请勿使用腐蚀性清洁剂或溶剂。

警告: 提防楼宇受损或损坏产品。请勿使用水箱内用清洁剂。含氯(次氯酸钙)的清洁剂会严重破坏水箱配件, 从而引起渗漏, 或对楼宇结构造成损坏。

科勒公司对此类因使用氯(次氯酸钙)而引致的水箱配件损毁, 概不负责。

警告: 在安装本座便器时切勿使用任何水泥。因为水泥的热膨胀可能使座便器的脚部挤破或损坏。科勒对所有因为水泥安装而引起的座便器破裂恕不负责。

警告: 提防损坏产品。请不要向便器内冲入新闻纸、纸尿裤、妇用卫生巾等容易堵塞的物品。请不要用重力撞击陶瓷, 以防止破损漏水。

不要在0°C以下的水环境中使用。

警告: 请勿使用钢丝球等硬质材料擦洗产品表面, 特别是产品商标处。

BEFORE YOU BEGIN

- Read installation guide in illustration and word file carefully, and install the tank according to instructions in the guide to avoid product damage and installation inconvenience caused by inappropriate operation.
- All data contained is based upon the last product information available at the time of publication. Kohler Company reserves the right to implement changes of product characteristics, packaging and availability at any time without further notice.
- Do not apply erosive cleanser and solvent in the tank, which will damage tank spares and result in leakage in the tank. Kohler will not be responsible for any damage related to above mentioned cleanser or solvent.
- Do not apply spares that are not provided by Kohler, and please note that glass adhesive tape shall not be applied to the installation of Kohler spares. Kohler will not be responsible for any damage related to installation with spares not provided by Kohler.
- Water temperature 1°C~45°C, Environmental Temperature 1°C~55°C.
- Min water supply:0.02MPa(dynamic pressure),Max water supply:0.74MPa(static pressure).
- This product complies with GB26730-2011.

安装之前

- 请仔细阅读图示说明及文字安装说明，按照说明书的步骤安装，以避免产品损坏或不良操作导致安装不便。
- 所有的资料是按出版时的最新产品资料编写的，本公司保留在任何时候不需通知便可更改产品的特征、包装或供应产品的权利。
- 请不要在水箱内使用具有腐蚀性的清洁剂或溶剂，否则会严重地损坏水箱配件，导致漏水。因使用上述清洁剂或溶剂而使水箱不能正常使用或出现其它连带性的损坏，本公司恕不负责。
- 请不要采用非本公司提供的零件，如玻璃胶等不能用于本公司配件的安装。因使用非本公司提供的零件安装而本公司产品导致的损坏，本公司恕不负责。
- 使用水温1°C~45°C，环境温度1°C~55°C。
- 最低供水条件:0.02MPa(动压),最高供水条件:0.74MPa(静压)。
- 本产品符合GB26730-2011。

Ordering Information

3.0/6.0L HYDRO-TOWER 100 In-Wall Tank (With Frame).....	K-6284T
3.0/4.5L HYDRO-TOWER 100 In-Wall Tank (With Frame).....	K-6284T-W
3.0/6.0L HYDRO-TOWER 100 IWT W/ FRAME (OVE WH).....	K-6284T-VES2
3.0/6.0L HYDRO-TOWER 100 IWT W/ FRAME (OVE WH).....	K-6284T-VE2
3.5/6.0L HYDRO-TOWER 100 IWT W/ FRAME (ESCALE WH).....	K-6284T-ESS
3.5/5.0L HYDRO-TOWER 100 IWT W/ FRAME (VEIL WH).....	K-6284T-VLS
3.5/5.0L HYDRO-TOWER 100 IWT W/ FRAME (ODEON WH).....	K-6284T-DNSW
3.5/5.0L HYDRO-TOWER 100 IWT W/ FRAME (ODEON WH).....	K-6284T-DNW
3.5/5.0L HYDRO-TOWER 100 IWT W/ FRAME (VIA WH).....	K-6284T-VABW
3.5/5.0L HYDRO-TOWER 100 IWT W/ FRAME (REVE WH).....	K-6284T-RES
ODEON In-Wall Tank(Without Iron Rack).....	K-6285T
ODEON In-wall Tank 6.0L W/O Frame.....	K-77666T
RATIO In-Wall Tank Faceplate(Not Supplied).....	K-6283T
BEVEL In-Wall Tank Faceplate(Not Supplied).....	K-8854T

订购信息

3.0/6.0升海德丽100入墙式隐藏水箱 (含固定支架).....	K-6284T
3.0/4.5升海德丽100入墙式隐藏水箱 (含固定支架).....	K-6284T-W
3.0/6.0升海德丽100入墙式隐藏水箱 (欧芙挂墙).....	K-6284T-VES2
3.0/6.0升海德丽100入墙式隐藏水箱 (欧芙挂墙).....	K-6284T-VE2
3.5/6.0升海德丽100入墙式隐藏水箱 (艾思格尔挂墙).....	K-6284T-ESS
3.5/5.0升海德丽100入墙式隐藏水箱 (维亚挂墙).....	K-6284T-VLS
3.5/5.0升海德丽100入墙式隐藏水箱 (奥帝安挂墙).....	K-6284T-DNSW
3.5/5.0升海德丽100入墙式隐藏水箱 (奥帝安挂墙).....	K-6284T-DNW
3.5/5.0升海德丽100入墙式隐藏水箱 (维雅挂墙).....	K-6284T-VABW
3.5/5.0升海德丽100入墙式隐藏水箱 (瑞芙挂墙).....	K-6284T-RES
奥帝安入墙式隐藏水箱(不含固定支架).....	K-6285T
奥帝安6.0升蹲便器入墙式水箱.....	K-77666T
瑞舒隐藏式水箱面板(可选配).....	K-6283T
贝芙隐藏式水箱面板(可选配).....	K-8854T

KOHLER CHINA INVESTMENT CO., LTD NO.158, JIANG CHANG SAN ROAD,
JING'AN DISTRICT, SHANGHAI, PRC POST CODE: 200436
科勒(中国)投资有限公司 上海市静安区江场三路158号 邮编: 200436

Function Explanation

- Anti flow-backwards
- Adjustment of inlet water level
- Adjustment of flushing volume
- Single/double gear flushing
Water usage (K-6284T/K-6284T-VES2/K-6284T-VE2): 3.0/6.0L
Water usage (K-6284T-ESS): 3.5/6.0L
Water usage (K-6284T-VLS/K-6284T-DNSW/K-6284T-DNW/K-6284T-VABW/K-6284T-RES): 3.5/5.0L
Water usage (K-6284T-W): 3.0/4.5L
Water usage (K-6285T): 7.7 ± 0.2L
Water usage (K-77666T): 6.0L
K-6285T/K-77666T Same water usage for both small/big push buttons
- Assemble, disassemble and maintenance can be done without tools

功能说明

- 防倒流功能
- 进水水位可调节功能
- 冲水水量可调节功能
- 双档冲水功能
水量(K-6284T/K-6284T-VES2/K-6284T-VE2): 3.0/6.0L
水量(K-6284T-ESS): 3.5/6.0L
水量(K-6284T-VLS/K-6284T-DNSW/K-6284T-DNW/K-6284T-VABW/K-6284T-RES): 3.5/5.0L
水量(K-6284T-W): 3.0/4.5L
水量(K-6285T): 7.7 ± 0.2L
水量(K-77666T): 6.0L
K-6285T/K-77666T按下大冲/小冲按钮后水量相同
- 无需工具用手可实现拆装维修

Design And Installation Concept Of In-wall Tank

- Installation of in-wall tank is much easier and nice-looking comparative to that of traditional tank. Meanwhile, the space layout will be more reasonable due to the application of in-wall tank pipes and connectors.
- The most remarkable advantage of in-wall tank is that the installation will never be limited to certain area, and can be installed wherever as you wish, which will make the bathroom layout more reasonable and nice-looking, and make good use of every inch of the bathroom space.

隐藏水箱设计安装概念

- 隐藏式水箱提供了简单快捷的安装方式，与传统的安装方式相比更完善、更美观。同时由于使用了隐藏式的管路布置，使空间布局更为合理。
- 使用隐藏式水箱的显著优点是不再限于某一固定的地方安装，可以灵活地设置，从而可以使整个浴室布局更为合理、更为美观，充分利用每一寸可用空间。

Advantages Of In-wall Tank

- Made of macromolecular materials that prevents corrosion and leaking.
- Adjustable dual flush design which conserves water.
- Sustainable to pressure of 400 kg.
- Will not affect the structure of the wall and provides excellent sound insulation.
- Easy installation and time efficient.
- Do not need to prepare any other spare parts.
- Easy maintenance and servicing.
- Clean, garbage free, and space saving.

隐藏式水箱的优点

- 抗冲击，耐腐蚀的高分子材质水箱，杜绝漏水的可能性。
- 可调双冲设计，有效节水功能。
- 可承受400公斤的压力。
- 不影响墙体结构，出色的隔音效果。
- 安装简便、快捷，省时省力。
- 无需准备其它的安装配件。
- 维护简易，无需改动墙体。
- 卫生清洁，无垃圾陈积，节省空间。

RECOMMENDES TOOLS AND MATERIALS

- Open end/adjustable wrenches
- Allen wrench
- Knife
- File
- Hacksaw
- Masonry
- Level
- Screw driver
- Insulation tape
- Tape measure
- Seal tape
- Bushing
- Lubricant

所需工具及材料

- 开口/活动扳手
- 内六角扳手
- 美工刀
- 锉刀
- 钢锯
- 冲击钻
- 水平尺
- 十字螺丝刀
- 绝缘胶布
- 卷尺
- 生料带
- 电工套管
- 润滑油

ROUGHING-IN

尺寸图

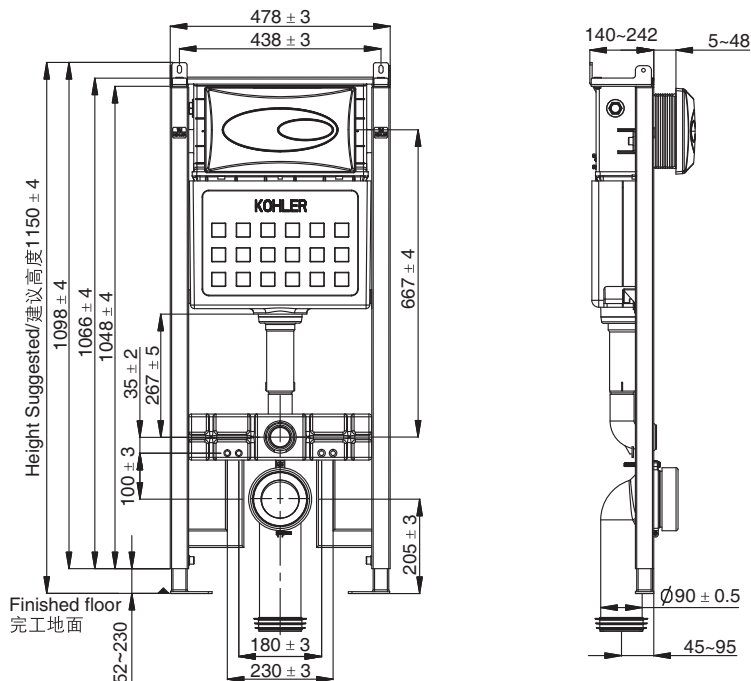
Installation dimensions with iron rack

座便器的安装尺寸

Reference Value
参考值

K-6284T/K-6284T-W/K-6284T-VES2/K-6284T-VE2/K-6284T-ESS/K-6284T-VLS
K-6284T-DNSW/K-6284T-DNW/K-6284T-VABW/K-6284T-RES

UNIT: mm
单位: 毫米



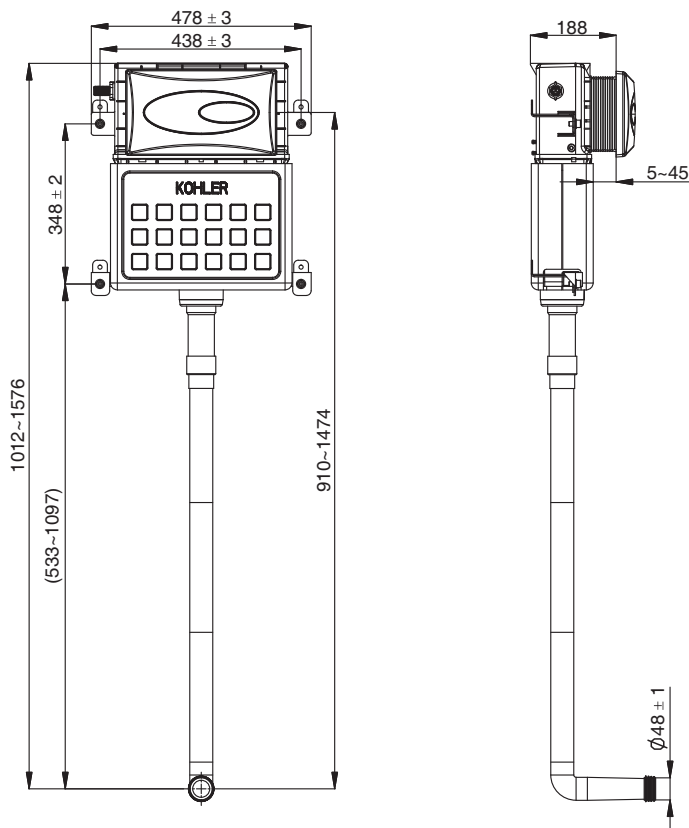
Installation dimensions without iron rack

蹲便器的安装尺寸

Reference Value
参考值

K-6285T/K-77666T

UNIT: mm
单位: 毫米



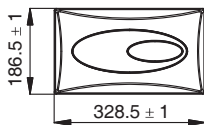
Installation dimensions of faceplate

面板的安装尺寸

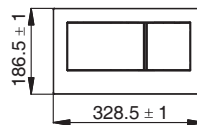
Reference Value
参考值

UNIT: mm
单位: 毫米

K-6283T



K-8854T



Kohler reserves the right to change marked dimensions without prior notice.
科勒公司保留随时变更图中标示尺寸的权利, 无需另行通知。

INSTALLATION

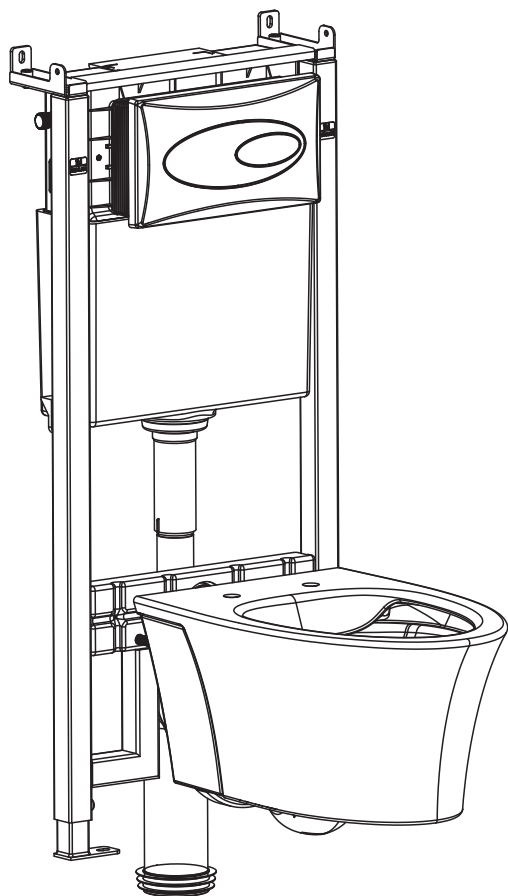
安装

Ways of Installation

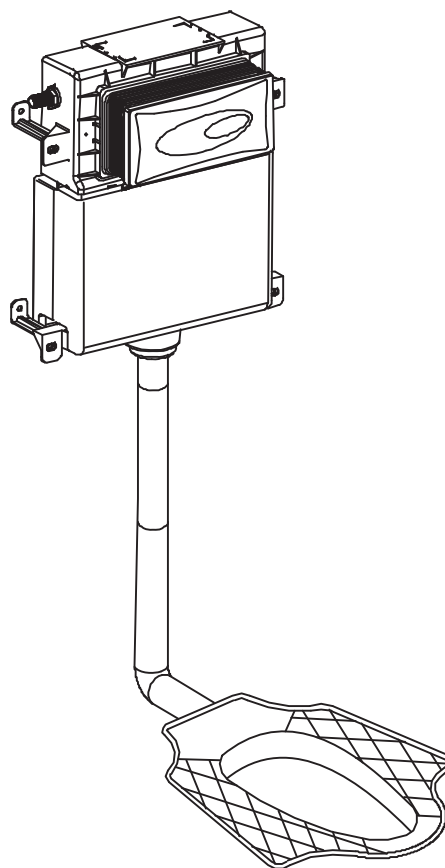
安装方式

There are two ways of installation for the products: In-wall tank toilet and In-wall tank squat.

本产品具有两种安装方式: 隐藏式水箱座便器 隐藏式水箱蹲便器



① In-wall Tank Toilet
① 隐藏式水箱座便器



② In-wall Tank Squat
② 隐藏式水箱蹲便器

Installation for In-wall Tank Toilet

隐藏式水箱座便器的安装

A. Installation of In-wall Tank

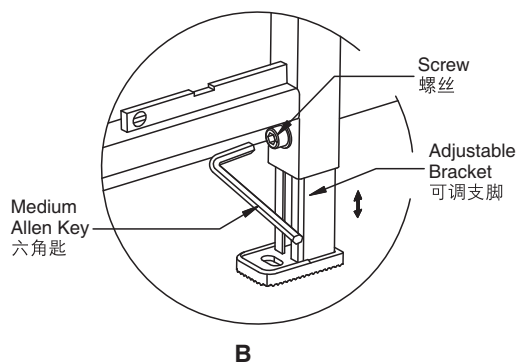
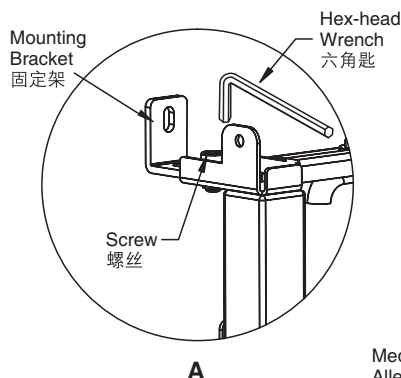
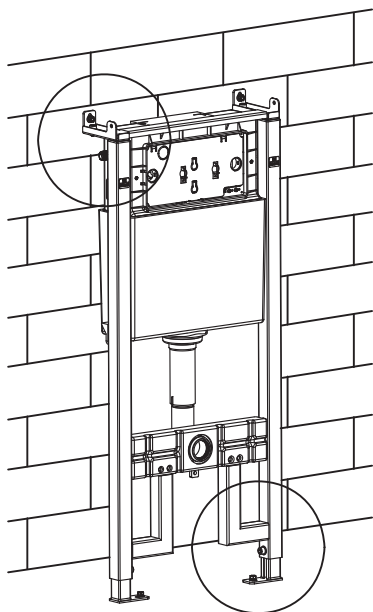
A. 隐藏水箱的安装

1. Loose hex-head screw and adjust mounting bracket height as shown in Fig A.
Loose hex-head screw and adjust supporting feet height as shown in Fig B.

1. 如图A用六角匙拧松螺丝后可调节固定架伸长或缩短。
如图B用六角匙拧松螺丝后可调节可调支脚伸长或缩短。

Note: mounting bracket and supporting feet shall be adjusted per customer ideal height. Use leveler to ensure the balance of steel bracket.

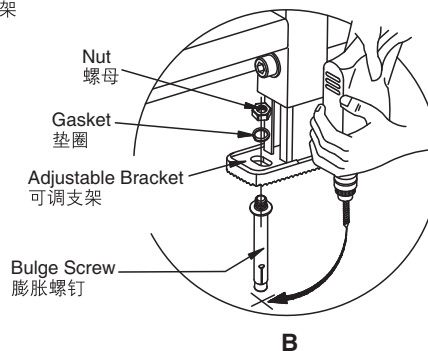
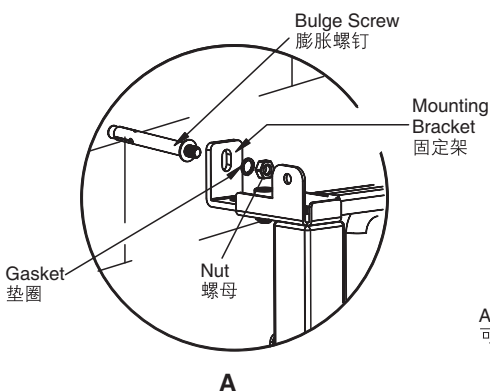
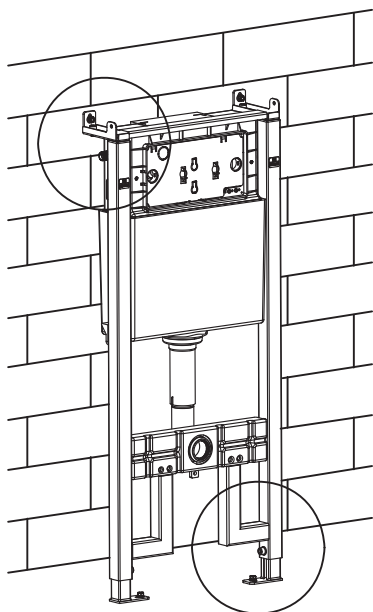
注：固定架与可调支脚可根据客户的理想高度进行调节，调节时请用水平尺确保铁架保持平衡。



2. Drill four holes with diameter of 10mm and depth of 80mm with churn drilling as shown.
 - A. Fill the bulge nail into the instruction hole on the wall, fix the fixing frame to the bulge nail, adjust the gasket and tighten the nut.
 - B. Fill the bulge nail into the instruction hole, fix the adjustable bracket to the bulge nail, adjust the gasket and tighten the nut.

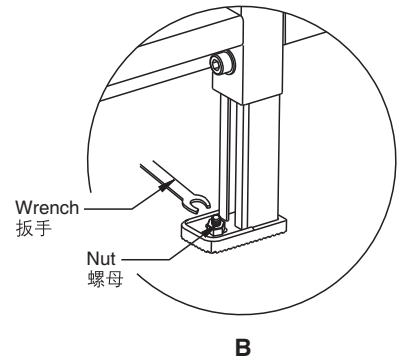
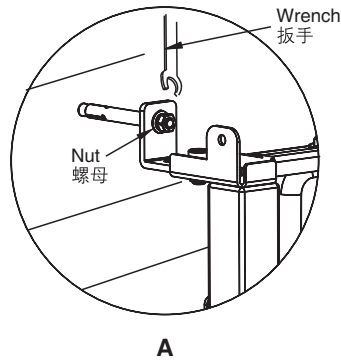
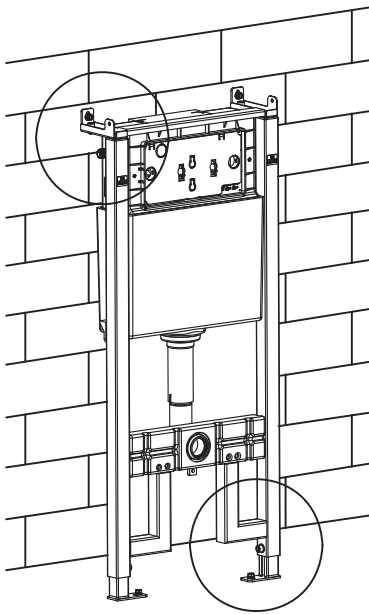
2. 如图A、B用冲击钻钻四个 10mm深80mm的小孔。

- A. 将膨胀胶钉塞进墙体安装孔上，再把固定架装在膨胀胶钉上，调整好位置后套上垫圈，拧紧螺母。
- B. 将膨胀胶钉塞进安装孔中，再把可调支架装在膨胀胶钉上，调整好位置后套上垫圈，拧紧螺母。



3. Tighten the nut with the wrench as shown in illustration A.
Tighten the nut with the wrench as shown in illustration B.

3. 如图A用扳手拧紧螺母。
如图B用扳手拧紧螺母。

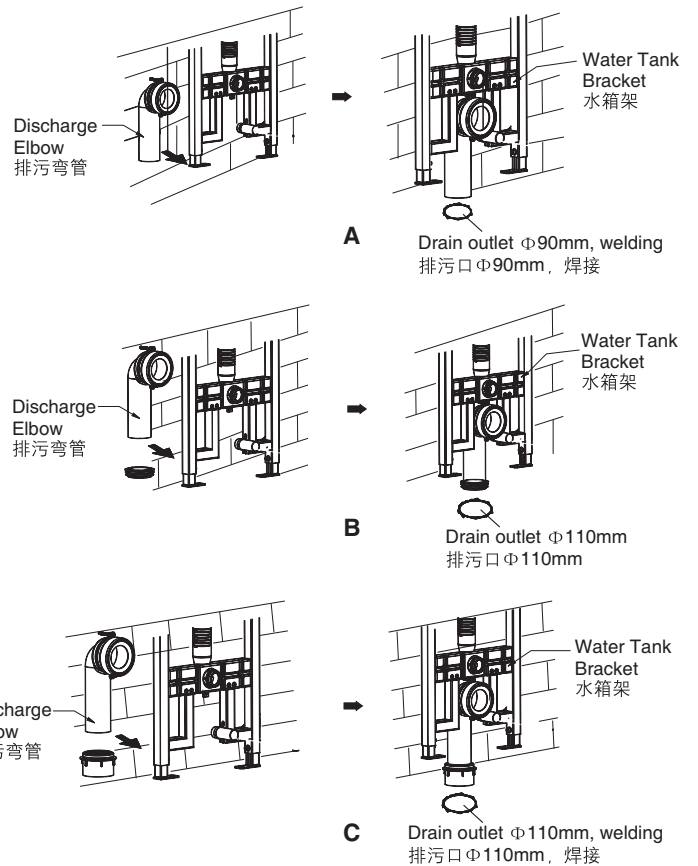


B. Floor Discharge Installation Method

B. 地排安装方法

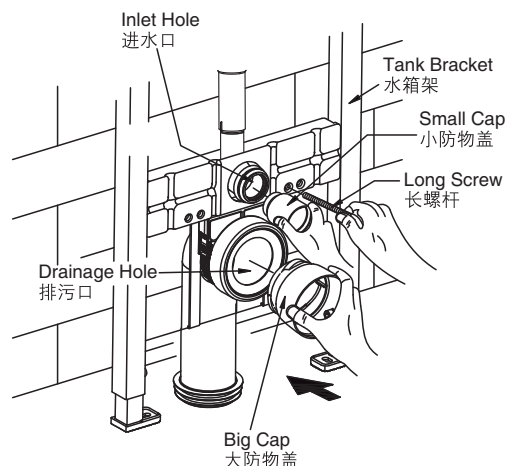
1. Three discharge pipe installation methods based on actual situation: A, B, C, adjust position by screw driver. Snap discharge pipe lower end into discharge port.

1. 首先根据实际情况有三种排污弯管安装方法：A, B, C, 然后用螺丝刀旋调节螺丝调整位置。最后再把排污弯管的下端装进排污口。



2. Tighten the long screw into the holes of the tank bracket and cover the drainage hole with the big cap, cover the inlet hole with the small cap.

2. 如图将长螺杆旋入水箱架的螺丝孔上，再将大防物盖装在排污口上，小防物盖装在进水口上。

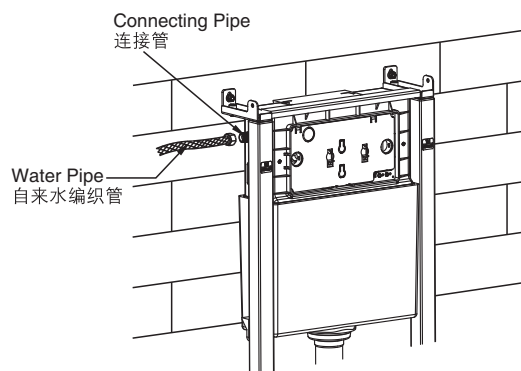


3. Connect tap water braided tube on the top of water tank for water supply as shown.

Note: 1. Ensure water tank internal valve is OFF.
2. Suggestion: connect a temporary rubber or plastic hose on valve, flush water supply pipeline. Ensure water is clean, no residual sand stone or fouling inside pipeline.

3. 如图所示将自来水编织管装在水箱顶部连接管上供水。

注: 1. 确保水箱内部进水角阀为关闭状态。
2. 建议在连接供水时，在角阀上连接一个临时橡皮或塑料软管，冲洗供水管道，确保管路中的水干净，管道内无沙石、垢污等。

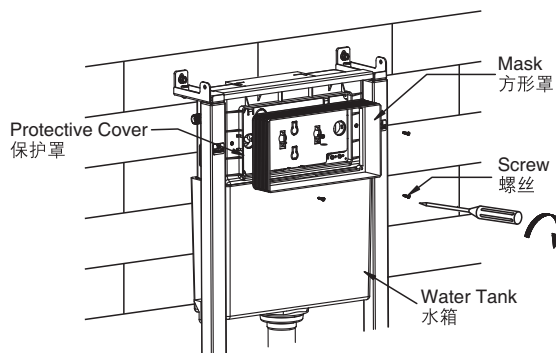


4. Install mask

1) Install the mask in the block screen of the tank, and tighten the screw to fix mask to the tank.

4. 方外罩安装

1) 如图将方形罩装在水箱的挡盖里，再拧紧螺丝使方形罩紧固在水箱上。

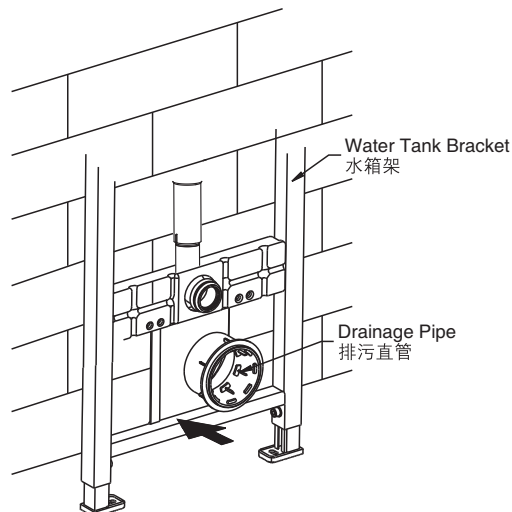


C. Installation of P-trap

C. 横排安装方法

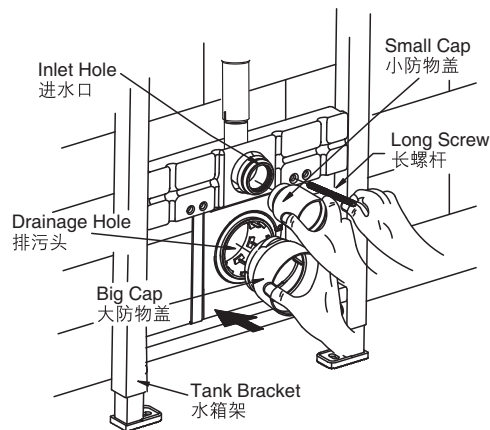
1. Insert drainage pipe with inner diameter $\Phi 110\text{mm}$ into drain elbow and weld.

1. 将排污直管装入内径 $\Phi 110\text{mm}$ 的排污管道，焊接。



2. Tighten the long screw into the holes of the tank bracket and cover the drainage hole with the big cap, cover the inlet hole with the small cap.

2. 如图将长螺杆旋入水箱架的螺丝孔中，再将大防物盖装在排污头上，小防物盖装在进水口上。

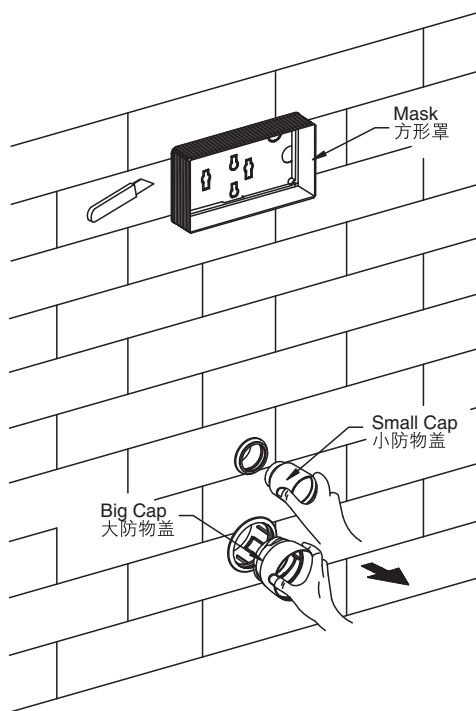


3. When finishing the brickwork of the wall, take out the big and small caps, and eliminate unwanted mask with a sharp knife.

Note: When building the wall, the product cannot be cast and filled by cement or be squeezed.

3. 如图砌完墙后，将大、小防物盖取出，然后用水口刀把方形罩多余的长度锯掉。

注：砌墙时，产品不能够用水泥浇筑填充或者挤压箱体。

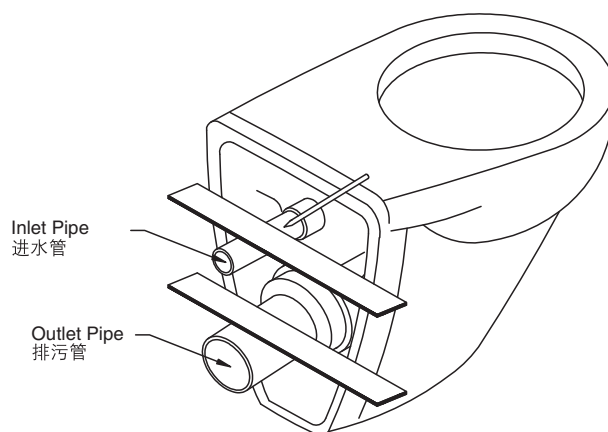


D. Installation of Toilet

D. 座便器安装方法

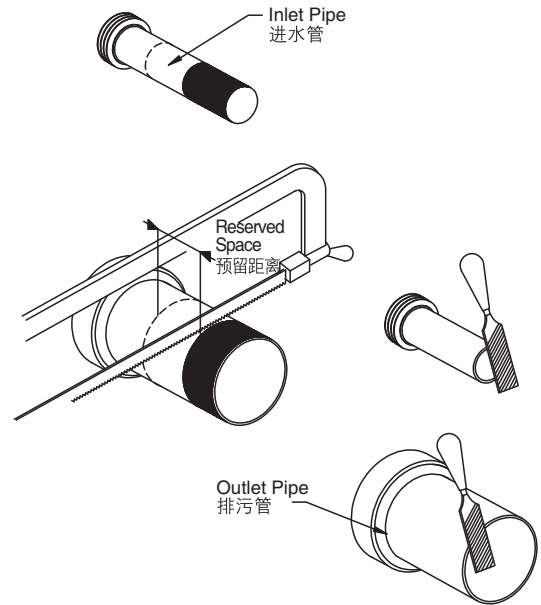
1. Install the inlet pipe and outlet pipe to the lavatory as shown, and mark on the pipes at the back side of the tank with a ruler and a pencil, and reserve appropriate space according to the distance from the back of the tank to the outlet hole on the wall.

1. 按图将排污管、进水管装在座便器上，用直尺放在座便器后面的排污管、进水管用铅笔作标记。再根据座便器后面到墙壁排污头的实际情况作预留距离。



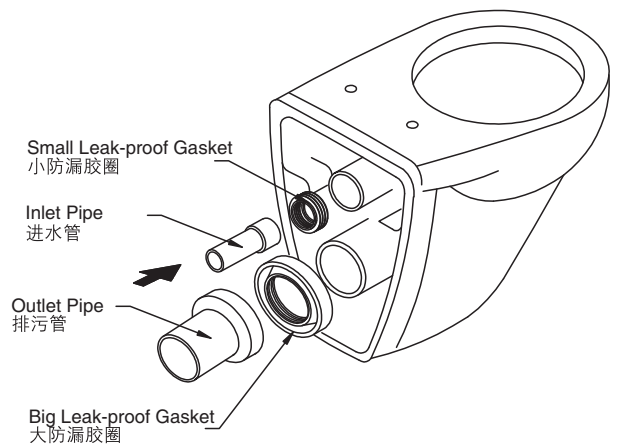
2. Eliminate unwanted part of the inlet pipe and outlet pipe according to the marks of reserved space, and rasp a smooth surface with files.

2. 如图在排污管、进水管已作标记的后端预留的位置上将多余部分锯掉。然后再用锉刀将锯掉的面锉平整并倒角。



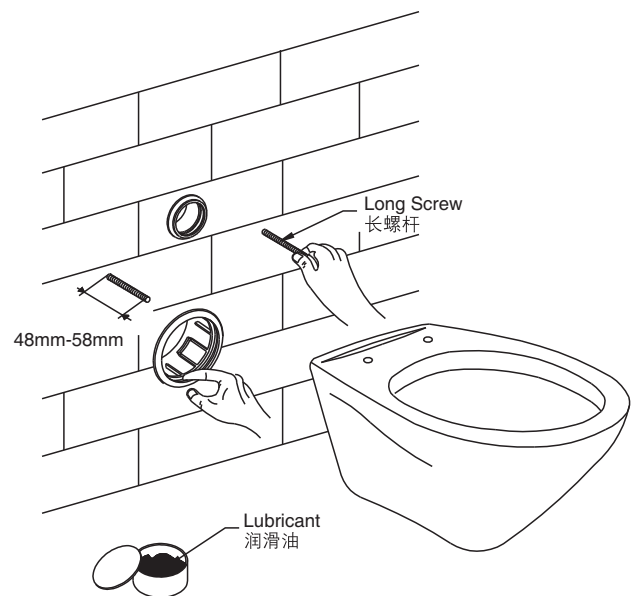
3. Install the big and small leak-proof gaskets on inlet pipe and outlet pipe, then install it to corresponding pipes on the toilet tank.

3. 如图将座便器的排污管、进水管装上大、小防漏胶圈，然后装在座便器的相对应管道。



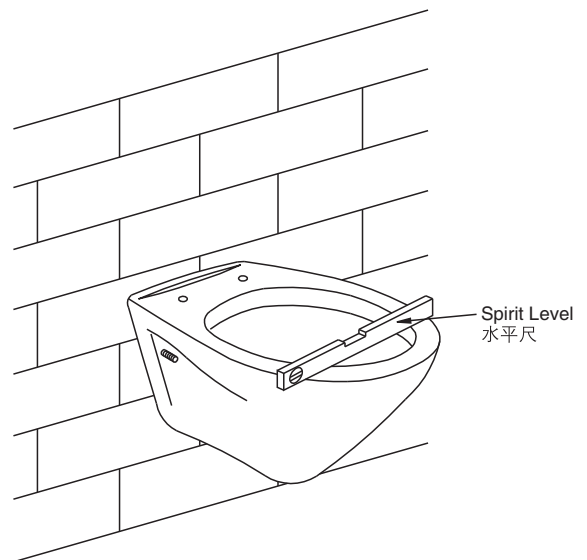
4. 48mm-58mm of the long screw shall be reserved outside the wall as shown in the illustration. If the long screw outside the wall is not long enough or much longer than that needed, it should be adjusted with screwdriver or by hand. Then apply lubricant to drainage pipe and limber pipe to ensure a smooth installation.

4. 如图长螺杆在墙壁上凸出来的尺寸应该保留48mm-58mm之间。假如长螺杆长度不够或过长就用手或螺丝刀适量调节。然后用润滑油涂在排污头、出水孔上涂上润滑同，使排污管、进水管安装畅顺。



5. Install the Toilet as shown in the illustration, and use a spirit level to ensure the lavatory to remain level.

5. 如图将座便器装上，并用水平尺测量座便器是否平衡。

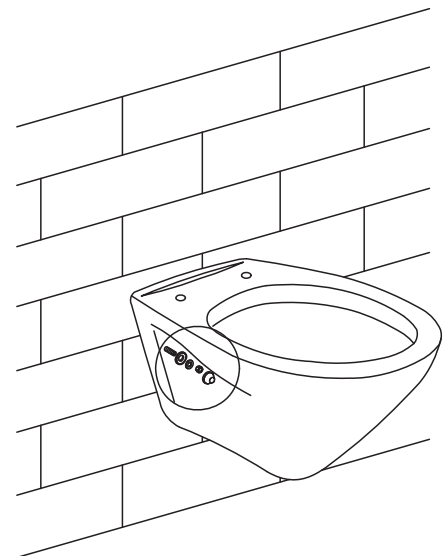
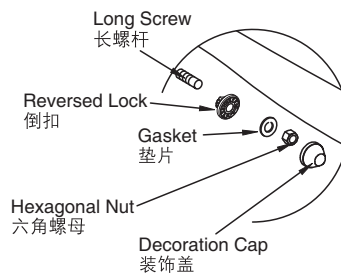


6. Install the reserved lock, gasket, hexagonal nut and decoration cap onto long screw according to the order shown in the illustration.

Note: Please refer to the installation instructions of toilet.

6. 如图首先将倒扣、垫片套在长螺杆上。然后拧紧六角螺母，最后盖上装饰盖即可。

注：实际安装座便器时，依照对应座便器的安装方法。

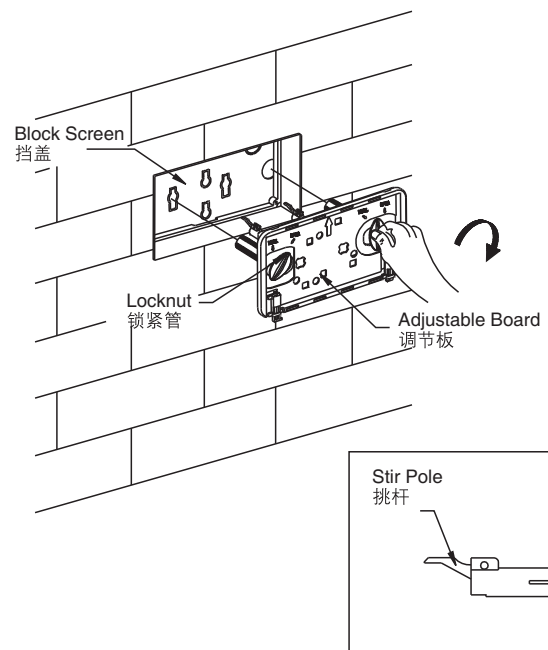


E. Faceplate Installation

E. 面板安装方法

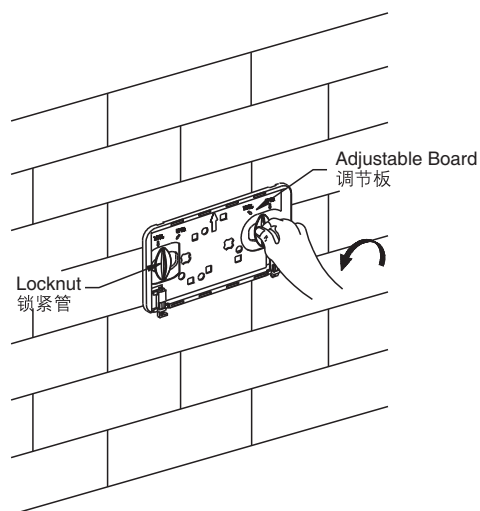
1. When fixing the adjustable board to block screen, the locknut should be put directly on positing of the sign of "OPEN". Remark: Stir pole shall remain level.

1. 如图将调节板上挡盖时，锁紧管要对准标识“OPEN”字样才装上。注：挑杆要保持平衡，不能向后翘起。



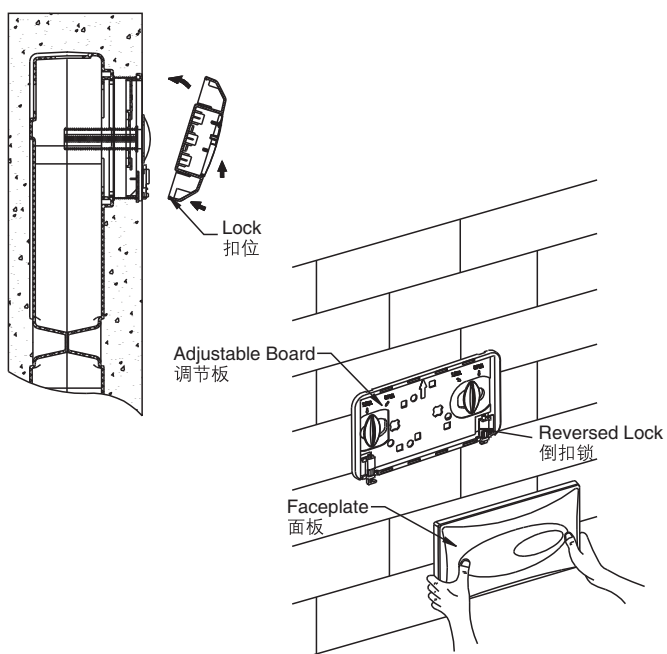
2. Fix the adjustable board on the wall by tightening the locknut as shown in the illustration. And the locknut should be directly put on the position of the sign of "LOCK". (Indications are marked on the adjustable board, please refer to indications in installation)

2. 如图用手旋转锁紧管使调节板固定在墙壁上。锁紧管对准“LOCK”标识才固定好。(调节板已有标识, 请安装时请按标识进行)



3. Install the faceplate as shown in the illustration. Put the lock on the faceplate directly on the reversed lock on adjustable board, then push the faceplate and lock it. The installation shall begin from bottom to top.

3. 如图安装面板。将面板扣位对准调节板的倒扣锁, 然后用力向上推再向前扣紧。安装时要从下而上安装。



4. In-wall tank toilet is ready to be put into use.

4. 安装完毕可以使用。

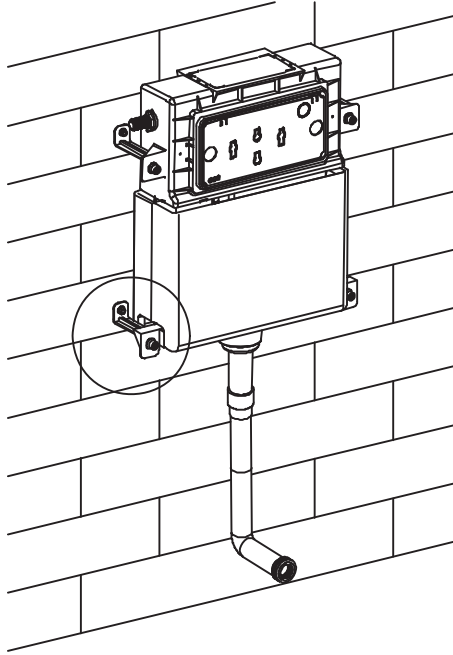


Installation for In-wall Tank Squat

A. Installation of In-wall Tank

1. Mark on the wall for appropriate position for fixing bracket, and drill four holes with diameter of 10mm and depth of 80mm with churn drilling as shown in illustration, and fill in the holes with bulge screw and tighten the screw to set the fixing bracket.

Note: Ensure the fixing bracket to remain level.

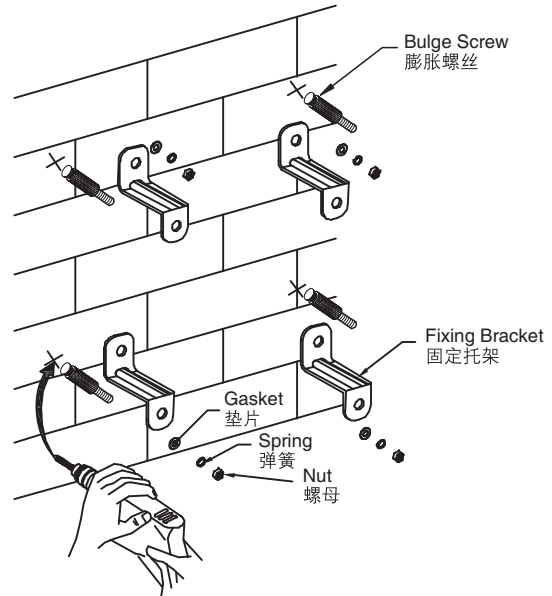


隐藏式水箱蹲便器的安装

A. 隐藏水箱的安装

1. 如图首先在墙壁上把固定托架的安装孔作记号后，用冲击钻钻四个 $\varnothing 10\text{mm}$ 深80mm的小孔，然后装上膨胀螺丝，再把固定托架装在膨胀螺栓上拧紧螺母。

注：固定托架要保持平衡。



2. Put the tank onto the fixing bracket as shown in the right figure and adjust the tank to level. Then tighten screws with hex-head key. Note: it is a must to keep the tank level.

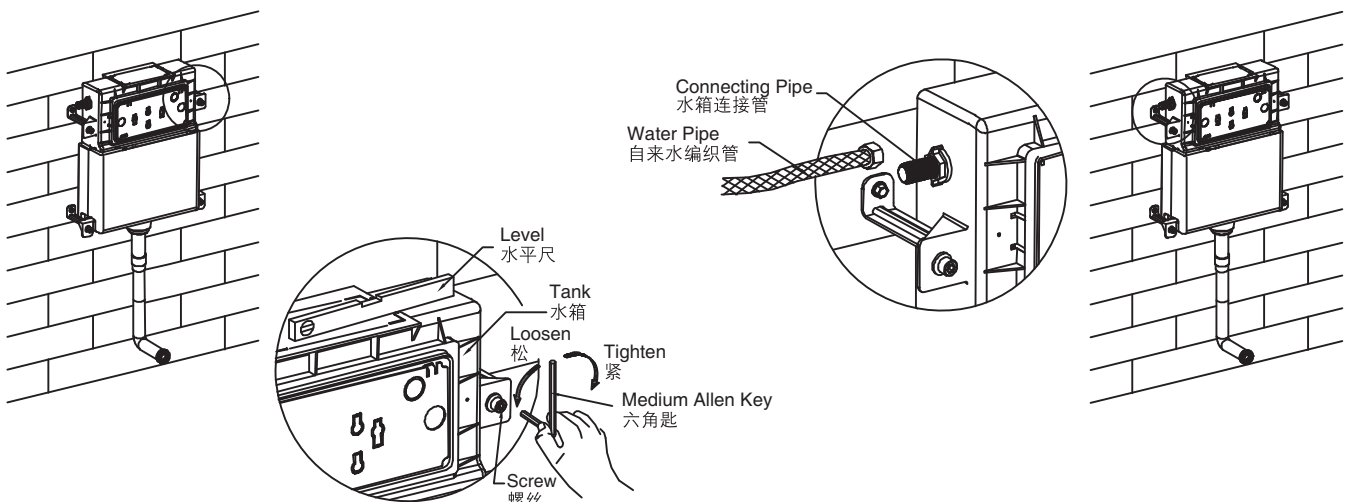
Connect the inlet hose with tank inlet pipe.

- Note: 1. Ensure water tank internal valve is OFF.
2. Suggestion: connect a temporary rubber or plastic hose on valve, flush water supply pipeline. Ensure water is clean, no residual sand stone or fouling inside pipeline.

2. 如图把水箱放在固定托架上，用水平尺调整水箱平衡，再用六角匙将螺丝拧紧。注：水箱一定要保持平衡。

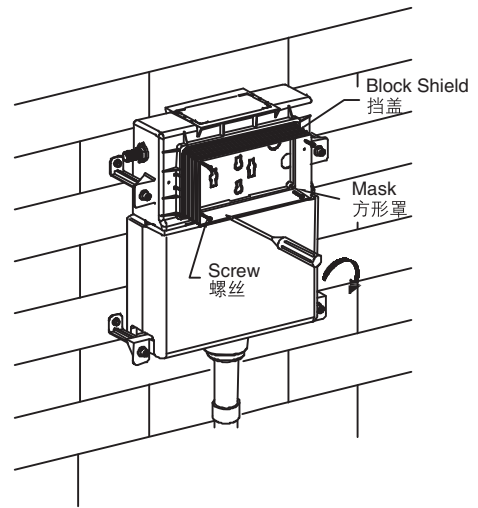
如图将自来水编织管装在水箱连接管上供水。

- 注： 1. 确保水箱内部进水角阀为关闭状态。
2. 建议在连接供水时，在角阀上连接一个临时橡皮或塑料软管，冲洗供水管道，确保管路中的水干净，管道内无沙石、垢污等。



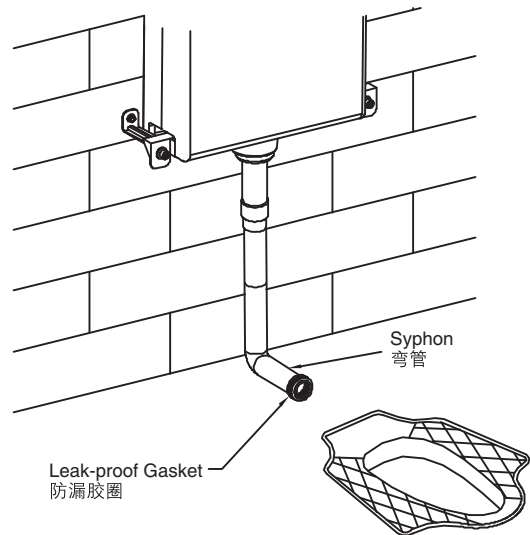
3. Install the mask in the block screen of the tank, and tighten the screw to fix the mask to the tank.

3. 如图将方形罩装在水箱的挡盖里，再拧紧螺丝使方形罩固定在水箱上。



4. Fix the leak-proof gasket to syphon as shown in illustration, and adjust the syphon to appropriate position to be fixed to the infall of squat.

4. 如图将防漏胶圈套入弯管的端口，然后调整弯管到合适位置后装在蹲便器的进水口上。

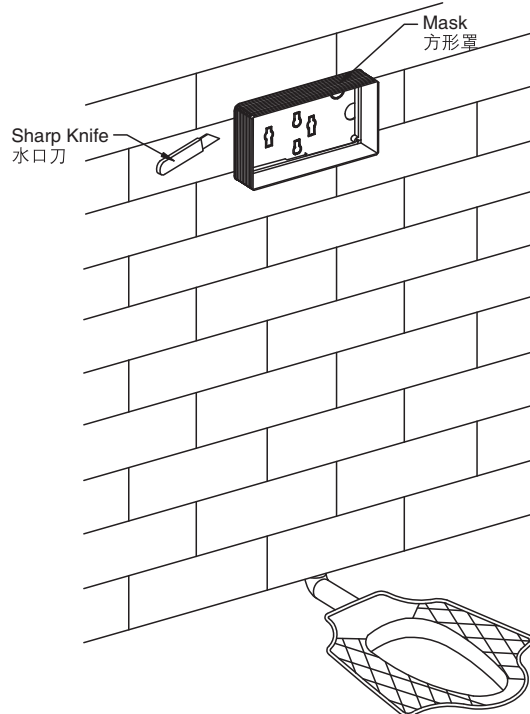


5. When finishing the brickwork, eliminate unwanted part of the mask.

Note: When building the wall, the product cannot be cast and filled by cement or be squeezed.

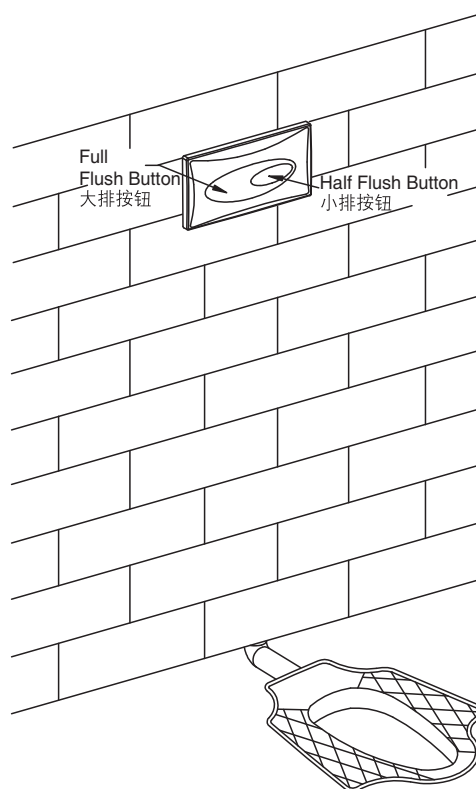
5. 如图砌完墙后，将方形罩多余的长度用水口刀锯掉。

注：砌墙时，产品不能够用水泥浇筑填充或者挤压箱体。



6. Fix faceplate according to step E and then it is ready to be put into use.

6. 按照步骤E安装面板，安装完毕可以使用。

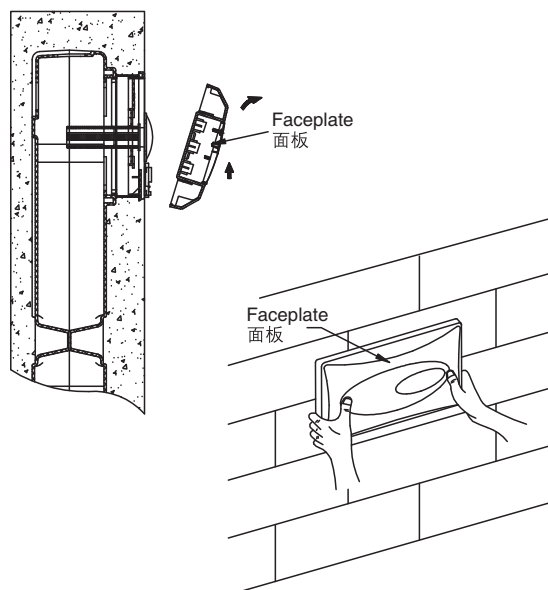


Finished Installation Illustration
安装完毕示图

MAINTENANCE AND CONTROL PROCEDURES 维护与调节程序

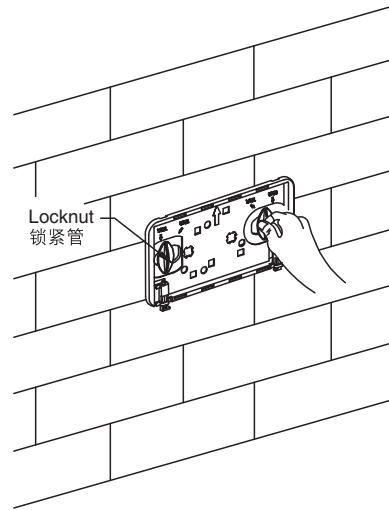
1. Hold the faceplate with both hands and push upward to take down the faceplate.

1. 如图拆卸面板时，用双手握住面板用力向上推就可以打开面板。



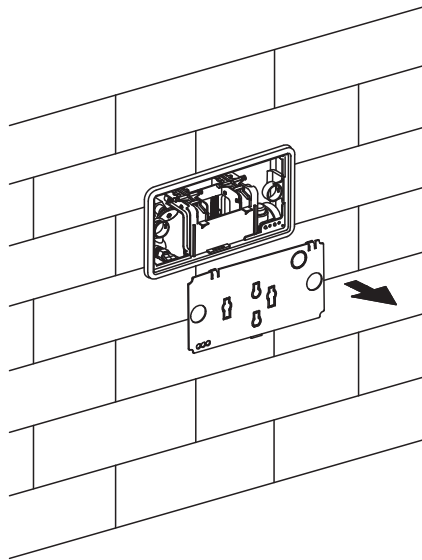
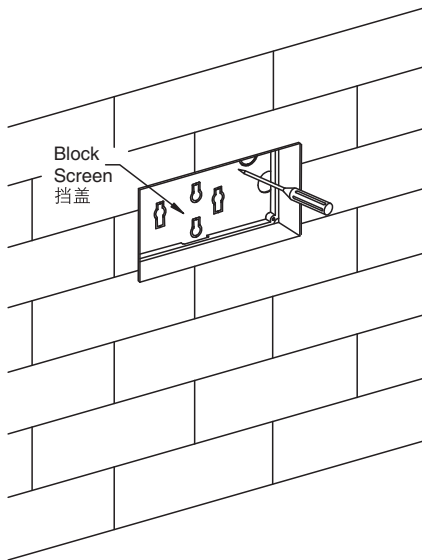
2. Tighten the locknut to the marked position of "OPEN" to take out the adjustable board.

2. 如图用手旋转锁紧管到“OPEN”标识位置上，调节板就可以取出。



3. Pin the indentation on block screen with screwdriver to take out the block screen.

3. 如图用螺丝刀压在档盖的缺口上，取出档盖。

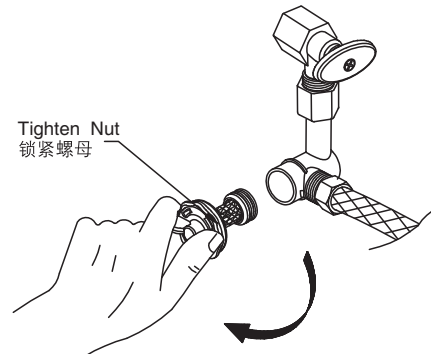
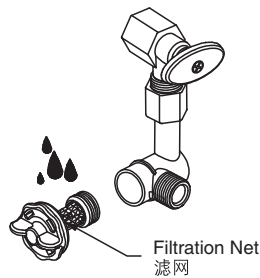
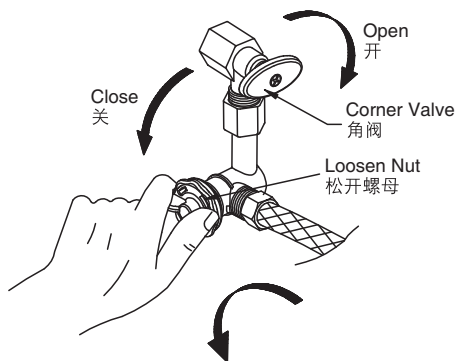


A. Wash Filtration Net

A. 清洗过滤器

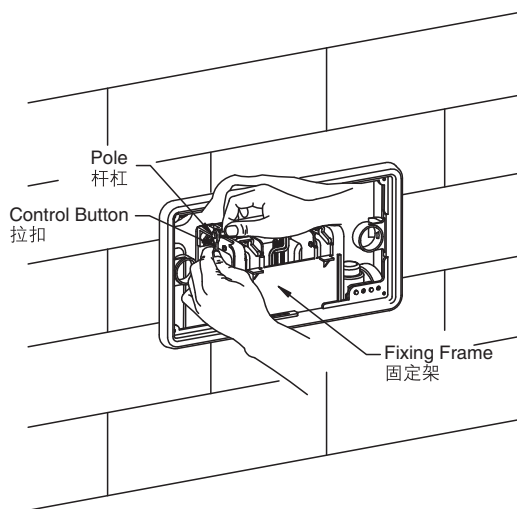
Close corner valve first, then loosen and take out the tighten nut, and wash the waste on filtration net with clean water. Then reset the tighten nut to the original position.

如图所示首先将角阀开关关闭，将锁紧螺母旋松取出用清水清洗滤网泥沙。然后将锁紧螺母装回原位锁紧即可。



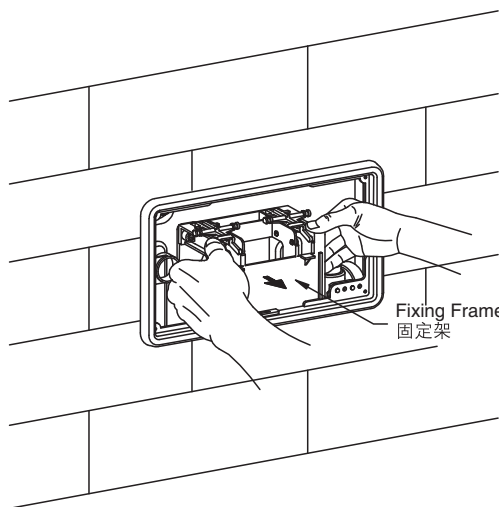
B. Adjust The Control Pole Of Drainage Valve

1. Pin the pole first to take out the control button as shown in the illustration. Then take out the fixing frame with both hands.



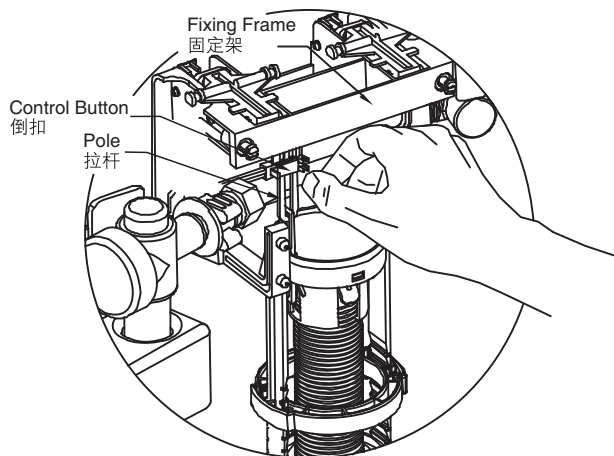
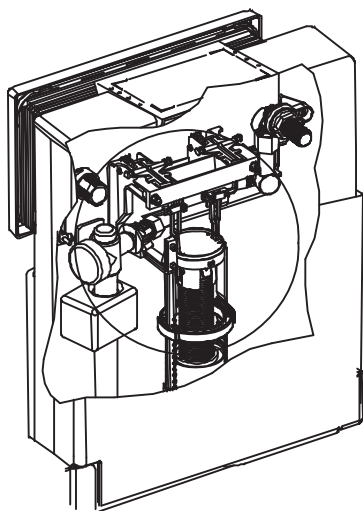
B. 排水阀的拉杆调校

1. 如图所示首先将拉杆压紧，再把拉扣取出。然后用双手将固定架取出。



2. Pull out reversed lock on the fixing frame as shown in the illustration, and adjust the height of the control poles to ensure the leak-proof of drainage valve.

2. 如图所示将固定架的倒扣拨出，可调节拉杆升高或降低使排水阀达到滴水不漏状态。

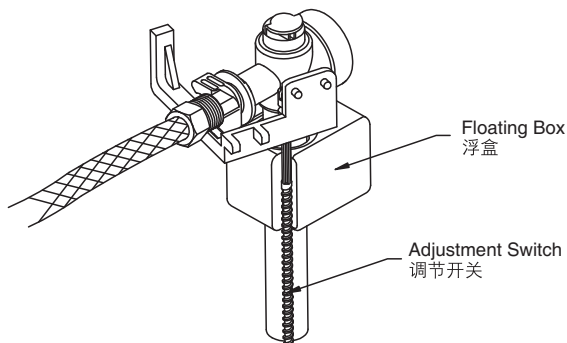


C. Adjust Inlet Valve

Hoist and reduce the water level in the tank by adjusting the control pole. Turn the control pole counterclockwise to lower down the floating box and reduce the water level of the tank. Turn the control pole clockwise to hoist the floating box and increase the water level in the tank

C. 进水阀的调校

如图调校调节杆可以使水箱水位升高或降低。当逆时针旋转调节杆时，浮盒下降，水箱水位就低。顺时针旋转调节杆使浮盒上升，水箱水位高。



TROUBLE SHOOTING PROCEDURES 故障排除

Symptoms	Probable Causes	Recommended Action
No water fills in via inlet valve	The inlet valve is closed	Open inlet valve
	Floating box of inlet valve is blocked by tank wall	Adjust floating box to appropriate position
	Floating box of inlet valve is block by waste	Wash the floating box with clean water
No drainage when pressing the heavy and slight drainage button	Wrong installation of adjustable board	Reset
	Control pole is too long	Adjust the control pole to appropriate position
Too high or too low water level	Water level of the inlet valve is not appropriate	Readjust water level
Leak of the toilet and squat	Control pole is too short	Adjust the control pole to appropriate position
	Inappropriate adjustment of the overflow pipe	Adjust the overflow pipe to appropriate position
Toilet swing	Hexagonal nut is loose	Tighten the hexagonal nut

现象	原因	排除方法
进水阀不进水	进水角阀没有打开	把进水角阀打开
	进水阀的浮盒受水箱壁顶住	调整浮盒到合适位置
	进水阀的浮盒受杂物粘住	应用水清洗干净浮盒
按下大、小冲水按钮时不冲水	调节板安装错误	重新安装
	拉杆过长	调整拉杆到合适位置
水位太高或太低	进水阀水位没调整好	重新调整水位
蹲便器与座便器漏水	拉杆过短	调整拉杆到合适位置
	溢水管调节过低	调整溢水管到合适位置
座便器可以摆动	六角螺母未拧紧	应拧紧六角螺母