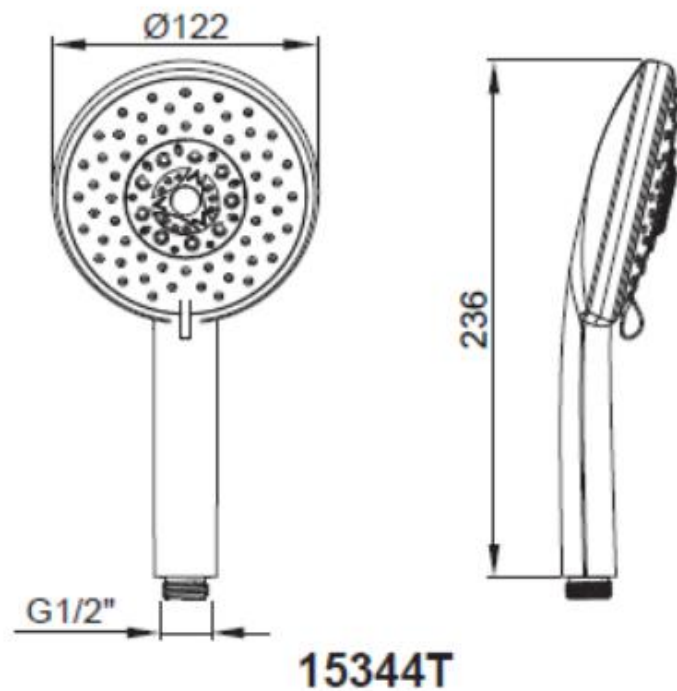


**Product Specification:**

Model	Finish
K-15344T	(-CP) (-AF) (-BN) (-SN) (-RGD) (-BV)

**Product Dimension:**



Please note that the above information are subject to change without notice.