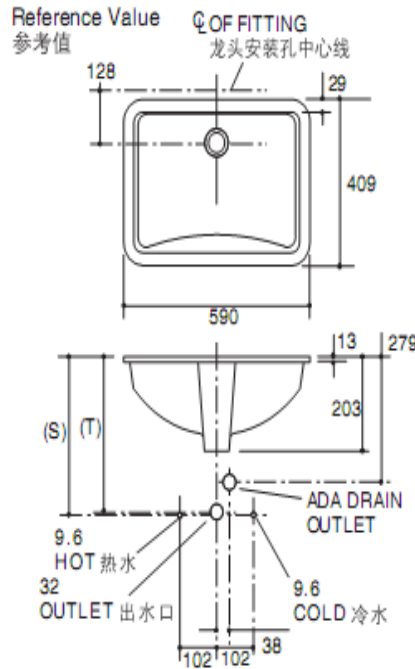
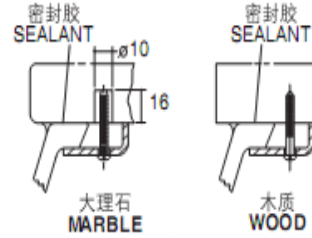


尺寸图



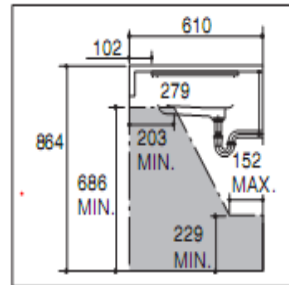
ROUGHING-IN



Unit: mm
单位: 毫米

INSTALLATION

Note: waterproof unprotected overhang area on the underside of wood counter.
注: 木质盥洗台面板下突出部份须作防水处理。



尺寸资料:

产品尺寸均为标准值, 误差符合美国机械工程师协会(ASME)A112.19.2-2008标准。

*以K-8998为基础, 尾端露出25毫米。

(T)使用提拉杆去水头349毫米。

(S)356毫米, 此尺寸根据305毫米冒口计算, 须按实际情况调整。

已提供的脸盆夹具组件需要最少25毫米的盥洗台厚度。安装人员必须为较薄的盥洗台提供安装螺丝。

Roughing-In Notes

Fixture dimensions are nominal and conform to tolerances in ASME Standard A112.19.2-2008.

*Based on K-8998 with 25mm of tailpiece exposed.

(T) Pop-up drain typically 349mm

(S) 356mm (Based on 305mm riser which may require cutting.)

Supplied basin clamp assemblies require 25mm minimum countertop thickness. Installer must supply anchors for thinner countertops.