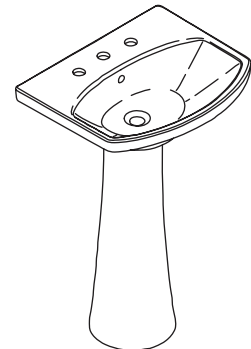


Features

- Vitreous china
- Pedestal lavatory
- Single-hole or 8" centers
- With overflow
- 578 x 475 x 876 mm

PEDESTAL LAVATORY K-2363X/K-2364X



Codes/Standards Applicable

Specified model meets or exceeds the following:

- ASME A112.19.2/CSA B45.1
- TIS 791-2544

Installation Notes

Install this product according to the installation guide.

Technical Information

| | |
|--|----------|
| Fixture: | |
| Water depth | 92 mm |
| Drain hole | 44 mm D. |
| *Approximate measurements for comparison only. | |

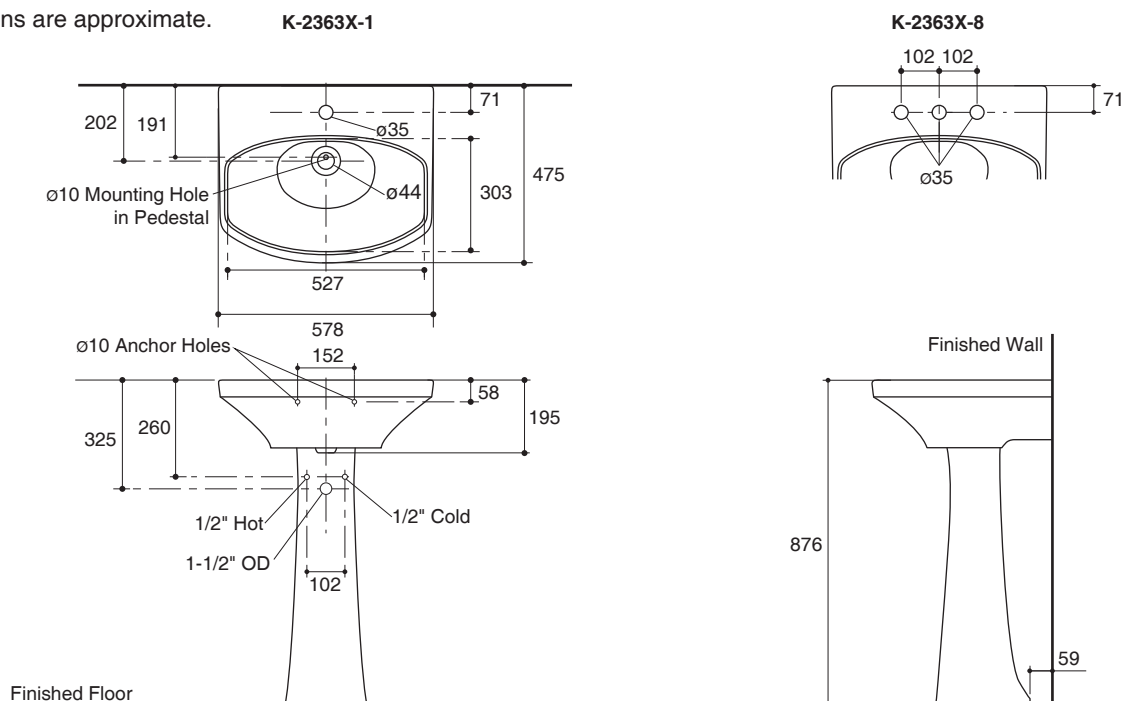
| | |
|----------------------|-----------|
| Included Components: | |
| Basin, single-hole | K-2363X-1 |
| Basin, 8" centers | K-2363X-8 |
| Pedestal | K-2364X-V |
| Hardware pack | 1249334 |

Specified Model

| Model | Description | Color/Finished |
|-----------|-----------------------------|----------------|
| K-2363X-1 | Cimarron basin, single-hole | 0: White |
| K-2363X-8 | Cimarron basin, 8" centers | 0: White |
| K-2364X-V | Cimarron pedestal | 0: White |

| Recommended Products | | |
|----------------------|--------|---------------------|
| K-8998 | P-trap | CP: Polished Chrome |

Dimensions are approximate.
Unit: mm



Note: The recommended dimension for installation can be adjusted according to user preferences and layout.

Product Diagram

