

Features

- Vitreous china
- Pedestal lavatory
- Single-hole or 8" centers
- With overflow
- 608 x 519 x 895 mm

Codes/Standards Applicable

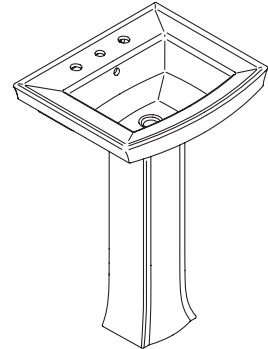
Specified model meets or exceeds the following:

- ASME A112.19.2/CSA B45.1
- TIS 791-2544

Installation Notes

Install this product according to the installation guide.

PEDESTAL LAVATORY K-2358/K-2357X



Technical Information

Fixture:	
Water depth	127 mm
Drain hole	44 mm D.
*Approximate measurements for comparison only.	

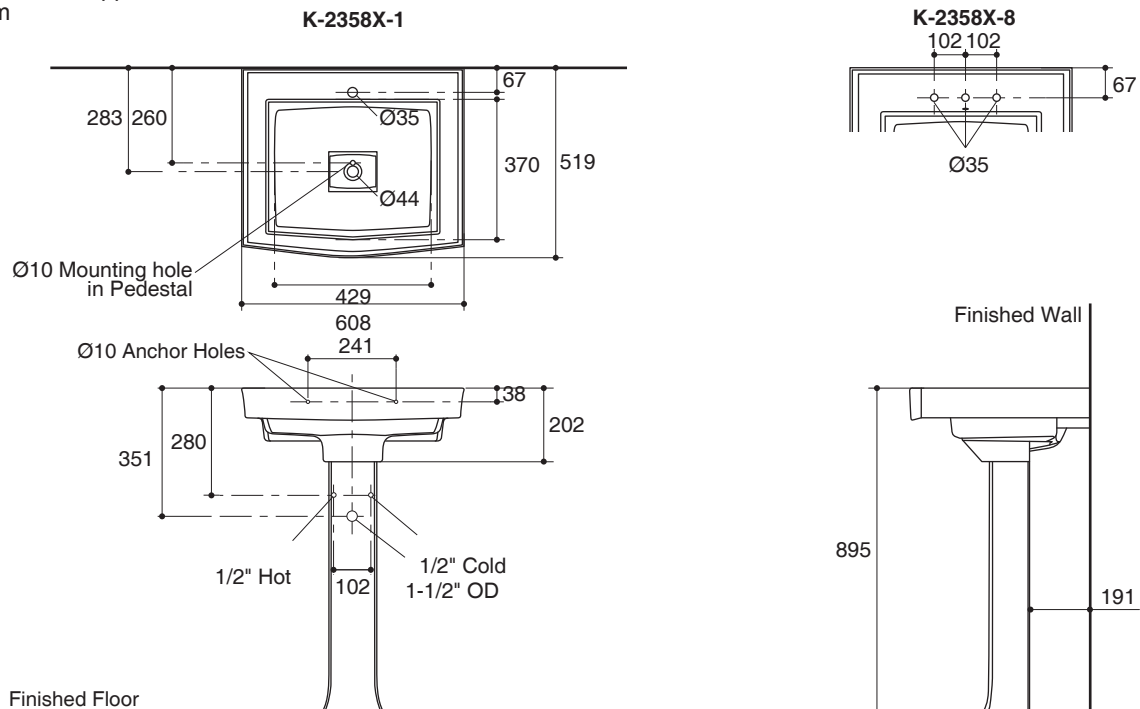
Included Components:	
Basin, single-hole	K-2358X-1
Basin, 8" centers	K-2358X-8
Pedestal	K-2357X
Hardware pack	1249335

Specified Model

Model	Description	Color/Finished
K-2358X-1	Archer basin, single-hole	0: White
K-2358X-8	Archer basin, 8" center	0: White
K-2357X	Archer pedestal	0: White

Recommended Products		
K-8998	P-trap	CP: Polished Chrome

Dimensions are approximate.
Unit: mm



Note: The recommended dimension for installation can be adjusted according to user preferences and layout.

Product Diagram

