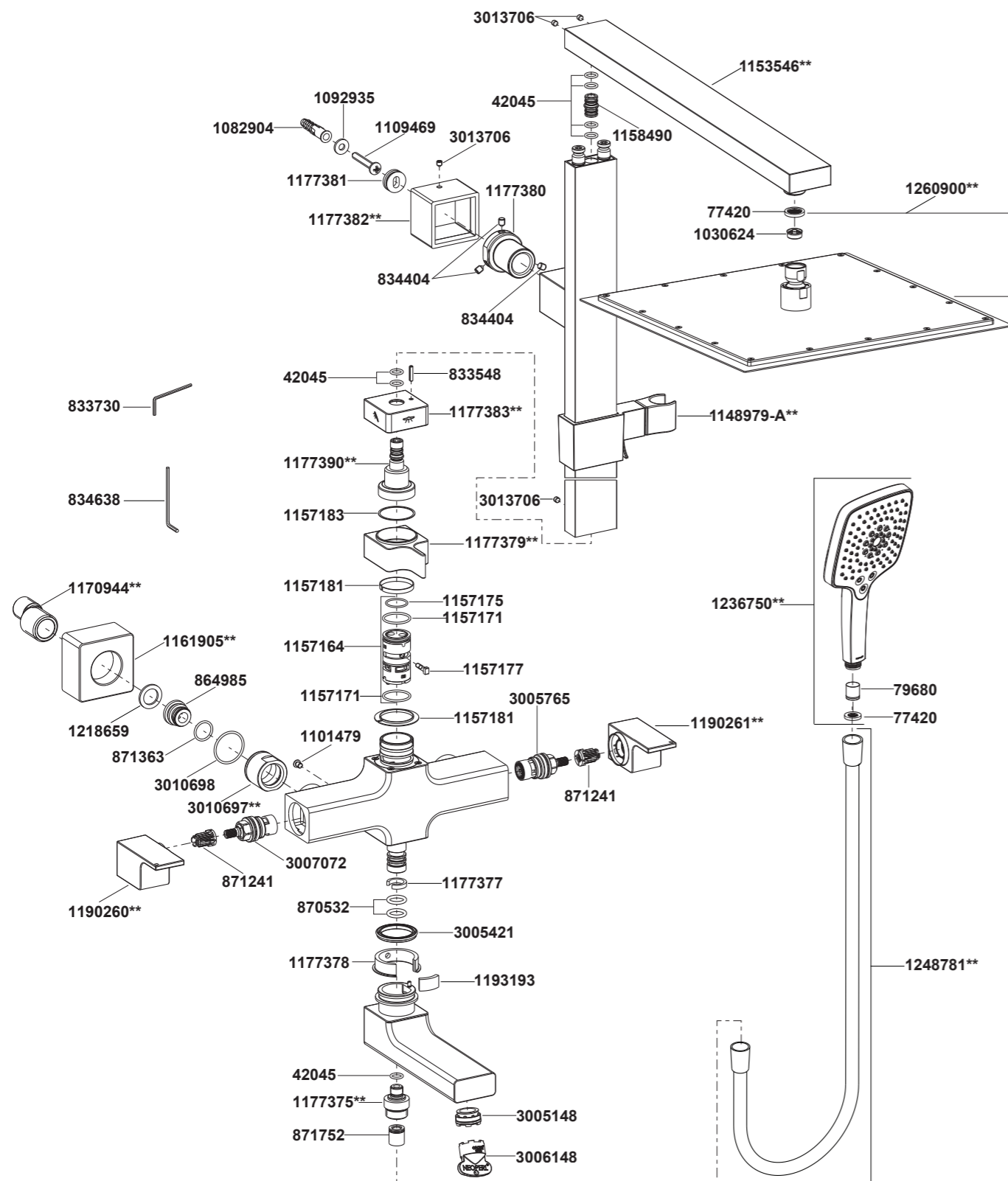


98336T-C4 Shower Column Ultra Thin Version



**Color code must be specified when ordering

98336T-C4 Shower Column Ultra Thin Version

BEFORE YOU BEGIN

All information is based on the latest product information available at the time of publication. Kohler Co. reserves the right to make changes in product characteristics, packaging, or availability at any time without notice.

Please leave these instructions for the consumer. They contain important information.

NOTES:

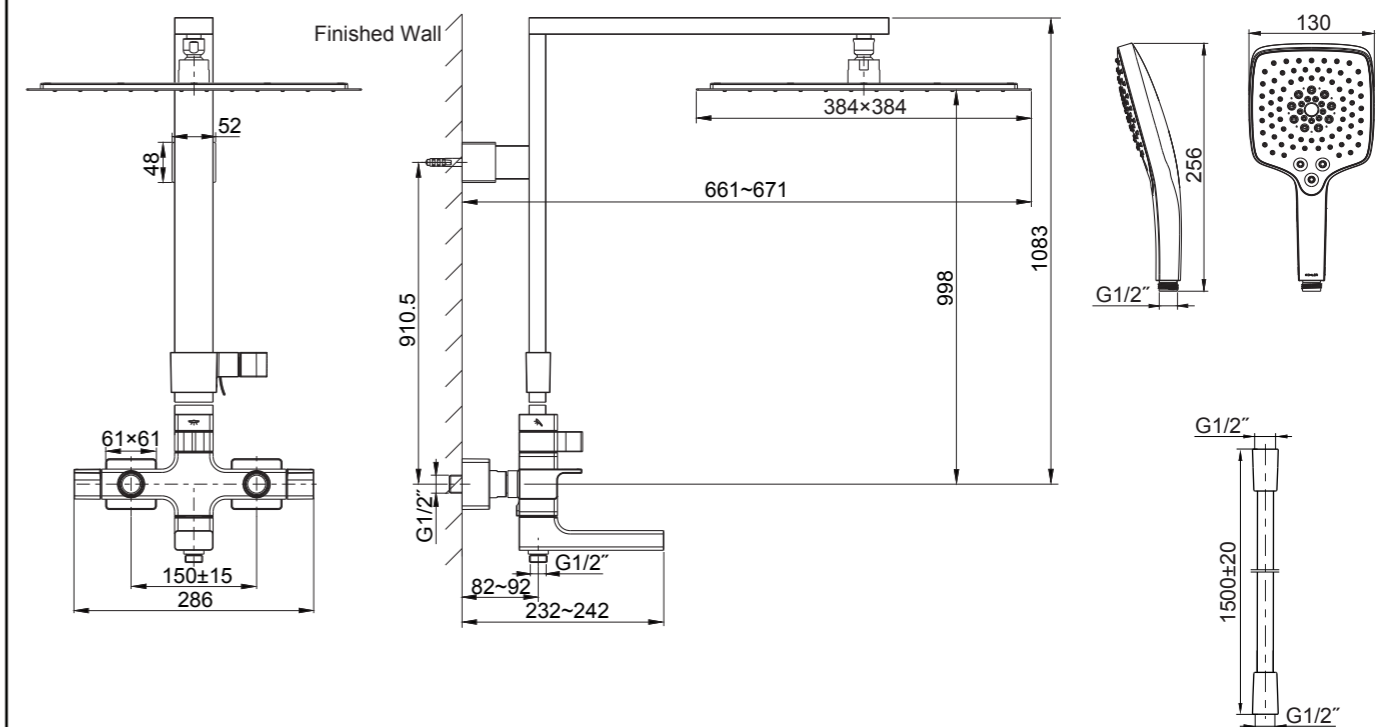
1. Shut off the water supplies to the fitting.
2. Inspect the supply tubing for damage. Replace as necessary.
3. Observe local plumbing codes.
4. The highest working pressure for handspray & showerhead is 0.5MPa(5bar). If it exceeds 0.5MPa(5bar), a pressure reducer is needed. The highest water and environment temperature is 60°C. Please keep handspray, showerhead and the shower arm away from heater, or it may become damaged and cause injury to the user.

HANDLE OPERATION

Left handle opens with turning counter-clockwise, right handle opens with turning clockwise.

Turn the diverter handle to the handspray logo, the handspray will work; turn it to the showerhead logo, the showerhead will work; turn it to the spout logo, the spout will work.

ROUGH-IN DIMENSIONS



INSTALLATION

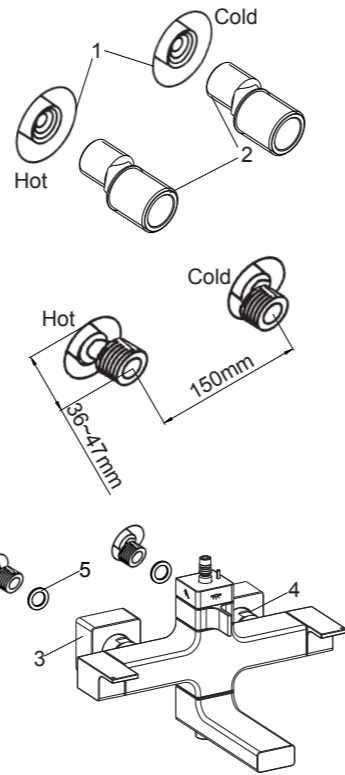
How to Install the Faucet

To perform installation, installer must provide G1/2" female supply fittings(1), spaced 150mm apart and horizontally. The supply fittings should be vertical and not beyond the finished wall. Hot supply pipe must be located on the left.

Install the two offset connectors(2) into the hot and cold supply pipes. Use appropriate thread sealants or thread tape on pipe threads.

Adjust the center-to-center distance between the connectors to 150mm and horizontally. They should extend 36 to 47mm beyond the finished wall.

Slide the escutcheons(3) onto the nuts(4). Put the washers(5) into the nuts, thread the nuts to connectors. Tighten the nuts with strap wrench or soft cloth between product and regular wrench. Push the escutcheon against the finished wall.



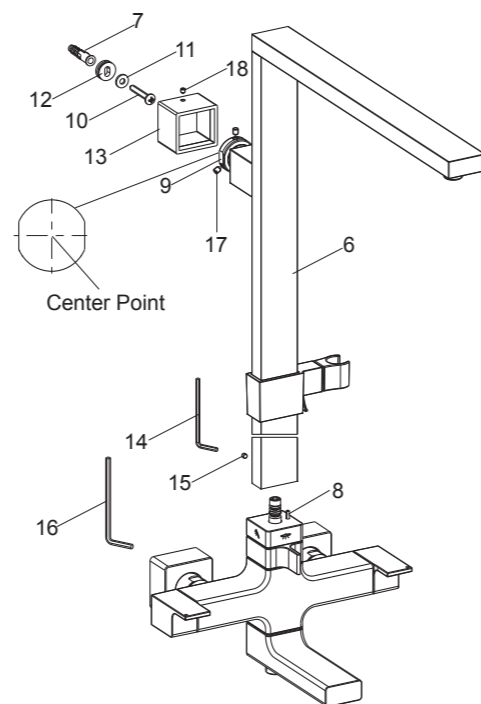
How to Install the Shower Column

Rehearse the slide bar kit(6) installation for the anchor(7) mounting location determination. Install the slide bar kit onto the faucet by the pin(8). Place the connector(9) against the finished wall. If not, make it against the finished wall by loosening or tightening the connector. Mark the outline of the bottom of the connector and the center point of the outline with a pencil on the wall.

Drill a hole on the center point as the anchor diameter. Press the anchor into the hole. Secure the mounting board(12) by the self-tapping screw(10) with the washer(11).

NOTE: Orient the side with round groove on the mounting board against the finished wall.

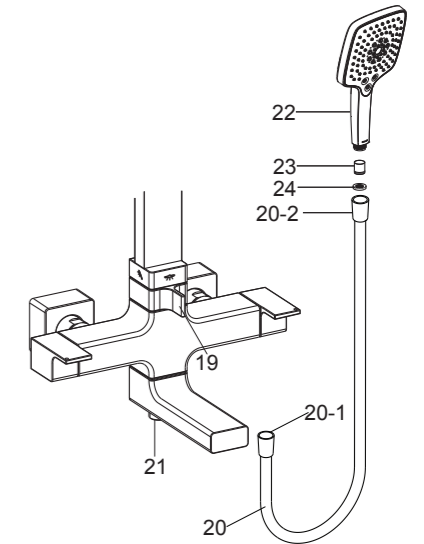
Slide the escutcheon(13) onto the connector(9). Install the slide bar kit onto the faucet by the pin, and install the connector(9) onto mounting board. Tighten the screw(15) with the hex wrench(14). Tighten the screws(17) with the hex wrench(16). Push the escutcheon(13) against the finished wall, and tighten the screw(18) with the hex wrench(14).



How to Install the Handspray and the Hose

Turn the diverter handle(19) to the handspray logo and run hot and cold water for about one minute to remove any debris.

Remove the guards on the outlet connectors of the hose(20). Install the check valve(23) into the handspray(22) inlet if needed. Tighten one connector(20-1) of the hose to the connector(21). Remove the washer from another connector(20-2), replace with the washer(24). Tighten the connector(20-2) of the hose to the handspray(22).

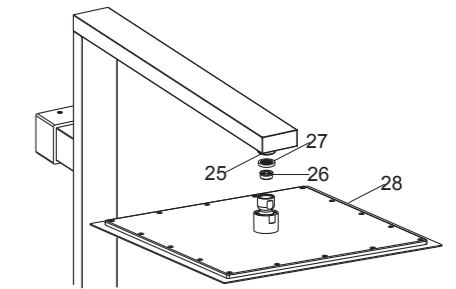


How to Install the Showerhead

Turn the diverter handle(19) to the showerhead logo and run hot and cold water for one minute to remove any debris before the showerhead(28) is installed.

Tighten the showerhead onto the outlet(25) with strap wrench.

Before installation, install the restrictor(26) if needed. Take out the washer(27) and install the restrictor as the figure shown, reinstall the washer.



INSTALLATION CHECKOUT

Ensure that all connections are tight. Ensure that the handles are in the off position.

Turn on the drain and main water supply, and check for leaks. Repair as needed.

CLEANING INSTRUCTIONS

All Finishes: Clean the finish with mild soap and warm water. Wipe entire surface completely dry with clean soft cloth. Many cleaners may contain chemicals, such as ammonia, chlorine, toilet cleaner etc. which could adversely affect the finish and are not recommended for cleaning.

Do not use abrasive cleaners or solvents on Kohler faucets and fittings.