

各产品购买地区/国家科勒担保服务中心

产品购买地区/国家 地址

中国大陆

科勒(中国)投资有限公司
中央客户服务中心
中国上海市浦东新区金滇路18号E栋4楼
邮编: 201206
免费咨询保修电话: + (86) 800-820-2628
+ (86) 400-820-2628

泰国

Kohler (Thailand) Public Company Limited
16 Floor. Jasmine City Building., 2 Soi
Sukhumvit 23, Sukhumvit Road, Wattana,
Bangkok, Thailand. 10110
电话: + (66) 2204 6222
传真: + (66) 2204 6224
E-mail: callcenterthailand@kohler.com

香港、澳门和台湾

科勒亚洲有限公司
香港湾仔骆克道188号兆安中心29/F
电话: + (852) 3125 7728
传真: + (852) 2802 2162

新加坡、菲律宾、马来西亚、印度尼西亚、越南、
韩国、文莱和日本

亚太客户服务中心
中国上海市闸北区江场三路158号
邮编: 200436
电话: + (86) 21 2606 2572
传真: + (86) 21 6107 8900

这是我们全部的书面担保!

Kohler Warranty Obligor/Service Center for Region
or Country of Purchase

Region/Country of Purchase Address

China mainland

Kohler China Investment Co., Ltd.
Central Customer Service Centre
Building E, 18 Jindian Road, Pudong
New Area, Shanghai 201206, PRC
Toll-Free Service Call: + (86) 800-820-2628
+ (86) 400-820-2628

Thailand

Kohler (Thailand) Public Company Limited
16 Floor. Jasmine City Building.,
2 Soi Sukhumvit 23, Sukhumvit Road,
Wattana, Bangkok, Thailand. 10110
Tel: + (66) 2204 6222
Fax: + (66) 2204 6224
E-mail: callcenterthailand@kohler.com

Hong Kong, Macau and Taiwan

Kohler Asia Pacific Limited
29/F, Siu On Center, 188 Lockhart Road,
Wanchai, Hongkong
Tel: + (852) 3125 7728
Fax: + (852) 2802 2162

Singapore, the Philippines, Malaysia, Indonesia,
Vietnam, South Korea, Brunei and Japan

Asia Customer Service Centre
No.158, Jiang Chang San Road, Zhabei
District, Shanghai, PRC Post Code: 200436
Tel: + (86) 21 2606 2572
Fax: + (86) 21 6107 8900

This is Kohler's exclusive written warranty.

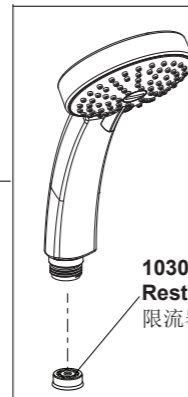
零件图

SERVICE PARTS



1030624
Restrictor
限流器
(仅用于98220T&R98220T)

1181006**
Handspray
手持花洒
(仅用于R4111T)



1030624
Restrictor
限流器



1216770**
Shower Bracket
托架
(仅用于R4111T)

**订购时请说明颜色编号
**Color code must be specified when ordering

KOHLER®
INSTALLATION INSTRUCTIONS
安装说明书



98220T R98220T 手持花洒
R4111T 手持花洒及托架

安装之前

BEFORE YOU BEGIN

所有的资料是按最新出版的产品资料编写而成。科勒公司保留任何时候不经通知即可改变产品特性、包装或产品可供类型的权利。

All information is based on the latest product information available at the time of publication. Kohler Co. reserves the right to make changes in product characteristics, packaging, or availability at any time without notice.

说明书包括重要的安装内容, 请把这些资料交给用户阅读。

Please leave these instructions for the consumer. They contain important information.

注意事项:

1. 一定要先彻底冲洗供水管以清除管道中的杂质。

NOTES:

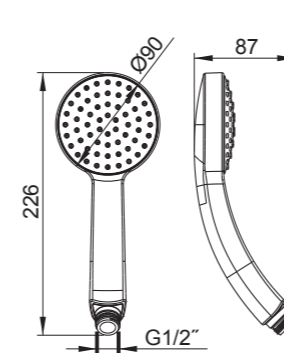
1. Flush the water supply pipes thoroughly to remove debris.

2. 花洒最高工作压力: 0.5MPa(5bar)。水压超过0.5MPa(5bar)须安装减压阀。花洒最高工作温度及环境温度: 60°C。请特别注意花洒同花洒连接的臂管须远离浴霸, 否则可能损坏花洒及其密封件, 甚至对使用者造成伤害。

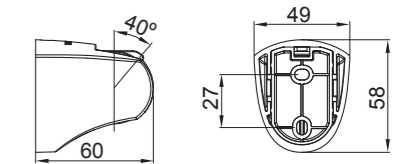
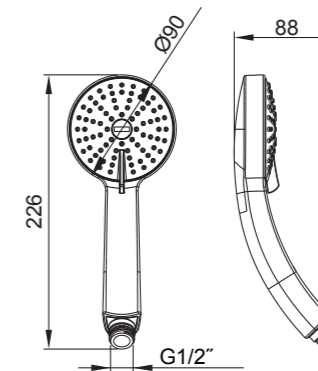
2. The highest working pressure for handspray is 0.5MPa(5 bar). If it exceeds 0.5MPa(5 bar), a pressure reducer is needed. The highest water and environment temperature is 60°C. Please keep handspray, shower head and the shower arm away from heater, or it may become damaged and cause injury to the user.

安装尺寸

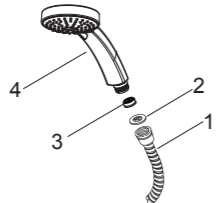
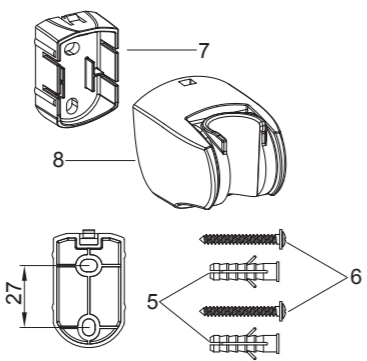
ROUGH-IN DIMENSIONS



98220T R98220T



R4111T

<h2>安装步骤</h2>	<h2>INSTALLATION</h2>
<h3>如何安装手持花洒</h3> <p>将限流器(3)塞入花洒(4)进水口,用花洒软管(1,客户自备)及垫片(2,客户自备)将花洒连接到水源。</p>	<h3>How to Install the handspray</h3>  <p>Put the water flow restrictor(3) into the handspray(4) inlet. Connect handspray to water supply with shower hose(1, not provided) and washer(2, not provided).</p>
<h3>仅对R4111T</h3> <h3>如何安装托架</h3> <p>在墙面选一合适的位置来安装托架。根据孔距在墙面标记钻孔的位置,依据胀塞(5)直径打孔,安装胀塞。</p>  <p>旋紧螺钉(6),使底座(7,平面朝上)固定紧贴墙壁。将托架(8)扣在底座上,使凸台嵌入豁口。</p>	<h3>Only for R4111T</h3> <h3>How to Install the Shower Bracket</h3> <p>Determine a suitable location on the finished wall to install the bracket. Mark bracket base mounting hole locations on the wall according to the dimension. Drill two holes on the finished wall, the holes should match the anchors(5). Install the anchors.</p> <p>Tighten screws(6) to secure bracket base(7, flat side upward). Put the bracket(8) onto the bracket base and lock by stopper.</p>
<h2>清理说明</h2>	<h2>CLEANING INSTRUCTIONS</h2>
<p>适用于所有加工处理过的表面:以中性肥皂水清洗镀层表面,再以干净的软布彻底地擦干整个表面。许多清洁剂,比如氨水、去污粉及洁厕灵等,会对电镀表面造成伤害,切忌使用。</p> <p>有磨损性的清洁用具或清洁剂也不可适用于科勒牌的水龙头及其配件上。</p>	<p>All Finishes: Clean the finish with a mild soap and warm water. Wipe entire surface completely dry with clean soft cloth. Many cleaners may contain chemicals, such as ammonia, chlorine, toilet cleaner etc. which could adversely affect the finish and are not recommend for cleaning.</p> <p>Do not use abrasive cleaners or solvents on Kohler faucets and fittings.</p>
<h2>质量担保</h2>	<h2>WARRANTY</h2>
<p>科勒担保,在原购客户拥有其安装科勒龙头或PVD产品的住所的期限内,科勒龙头不存在由阀芯造成的龙头滴漏现象,PVD部件在正常家用的情况下无材料及制造工艺上的瑕疵。如龙头在正常家用情况下出现滴漏,科勒将为客户更换新的阀芯,令其恢复正常状态。</p> <p>科勒担保在正常家用的情况下浴室配件、数控恒温龙头的电子零件自购买之日起三年内无材料及制造工艺上的瑕疵,花洒及软管自购买之日起两年内无材料及制造工艺上的瑕疵。龙头的其他部分或配件在正常家用的情况下自购买之日起五年内无材料及制造工艺上的瑕疵。</p>	<p>Kohler warrants this faucet to be leak and drip free, and the PVD (Physical Vapor Deposition) component of this product to be free of defects in material and workmanship during normal residential use for as long as the original consumer purchaser owns his or her home. If the faucet should leak or drip during normal use, Kohler will, free of charge, mail to the purchaser the cartridge necessary to put the faucet in good working condition.</p> <p>Kohler warrants bathroom accessories and electronic components to be free of defects in material and workmanship during normal residential use for three years from the date of purchase. Shower and hose to be free of defects in material and workmanship during normal residential use for two years from the date of purchase. Kohler also warrants all other aspects of the faucet or accessories ("Faucet") to be free of defects in material and workmanship during normal residential use for five years from the date of purchase.</p>

<p>产品的PVD部件由于长时间使用、清洁方法或水质和空气条件而导致的光泽变暗、擦痕、污迹及表面抛光的碱性蚀刻并非制造瑕疵,而是正常磨损后的现象。</p> <p>在担保期内,如果发现产品在正常使用的情况下存在瑕疵,经核查以后,科勒将自行决定对产品进行修理、更换、或是作适当的调整。科勒不承担上述成本以外的人工成本、拆除或安装的成本,或其他附带的或衍生性的支出。本担保仅适用于在下列国家/地区购买并安装的科勒龙头产品。</p> <p>如产品被用于商业目的,则科勒担保该产品自购买之日起一年内无材料以及制造工艺上的瑕疵。除担保期限以外,本担保的其他条款均适用。</p> <p>科勒及/或销售商提供本担保以取代所有其他明示或默示的担保(包括但不限于对产品的适销性和适用于特定目的的担保),并且科勒及/或销售商对任何特殊、附带或衍生性损害赔偿不承担责任。</p> <p>有些国家/地区不允许限定担保期或对特殊、附带或衍生性损害赔偿进行排除或限制,所以上述限制和排除可能对您不适用。本担保赋予您明确的法律权利。您可能还享有其他权利,该等权利因国家/地区的不同而有所区别。</p> <p>本担保仅适用于原购客户。且担保范围不包括:水压不足,供水温度低于0°C,水中的杂质过多,水质过硬和不正当清洗导致的问题,由于搬运、运输不慎、保管不妥、任意自行拆装修理部件造成的故障及损坏,外观碰伤,使用不当以及未按说明书安装的额外损失,安装使用不当引起电源盒受潮造成的故障及损坏,电源使用不匹配,布线不符合要求造成的故障,不及时更换电池或因电池本身质量导致漏液而引起的导线腐蚀等故障,自然灾害及公害等外部因素造成的故障及损坏,未有列明的修理和零件以及安装费用。</p> <p>为获得担保服务,请联系您的经销商或承包商,或联系下列科勒服务中心。请确保提供所有相关的信息,包括完整的问题描述、型号、颜色、表面镀层、购买时间及销售方。请务必同时提供购买凭证(原销售发票)。</p>	<p>Gloss reduction, scratching, staining and alkaline etching of the finish PVD over time due to use, cleaning practices or water or atmospheric conditions, are not manufacturing defects but are indicative of normal wear and tear.</p> <p>If a defect is found in normal residential use during warranty period, Kohler will, at its election, repair, provide a replacement part or product, or make appropriate adjustment. Kohler is not responsible for labor charges, installation, or other incidental or consequential costs. This warranty applies only to the KOHLER Faucet purchased and installed in countries/regions as listed below.</p> <p>If the Faucet is used commercially, Kohler warrants the Faucet to be free from defects in material and workmanship for one(1) year from the date the product is purchased, with all other terms of this warranty applying except duration.</p> <p>KOHLER AND/OR SELLER ARE PROVIDING THESE WARRANTIES IN LIEU OF ALL OTHER WARRANTIES, EXPRESSED OR IMPLIED, INCLUDING BUT NOT LIMITED TO THE IMPLIED WARRANTIES OF MERCHANTABILITY AND FITNESS FOR A PARTICULAR PURPOSE. KOHLER AND/OR SELLER DISCLAIM ANY LIABILITY FOR SPECIAL, INCIDENTAL OR CONSEQUENTIAL DAMAGES.</p> <p>Some countries/regions do not allow limitations on how long an implied warranty lasts, or the exclusion or limitation of special, incidental or consequential damages, so these limitations and exclusions may not apply to you. This warranty gives you specific legal rights. You may also have other rights which vary from country/region to country/region.</p> <p>This warranty is to the original consumer purchaser only, and excludes: problems arising from insufficient water pressure, water temperature below 0°C, excessive water impurities, improper care or cleaning, improper transportation or storage, improper disassembling or repair, product surface damage, misuse, installation error, power not matched, improper cable layout, inferior battery, nature disaster, maintenance and installation charges and component costs which are not specified.</p> <p>To obtain warranty service, please contact your Dealer or Plumbing Contractor, or a Kohler Service Center using the information provided below. Please be sure to provide all pertinent information regarding your claim, including a complete description of the problem, the product, model number, color, finish, the date the product was purchased and from whom the product was purchased. Proof of purchase (original sales invoice) must be provided to Kohler AP with all warranty claims.</p>
<p>1106578-2-D</p>	<p>3</p>