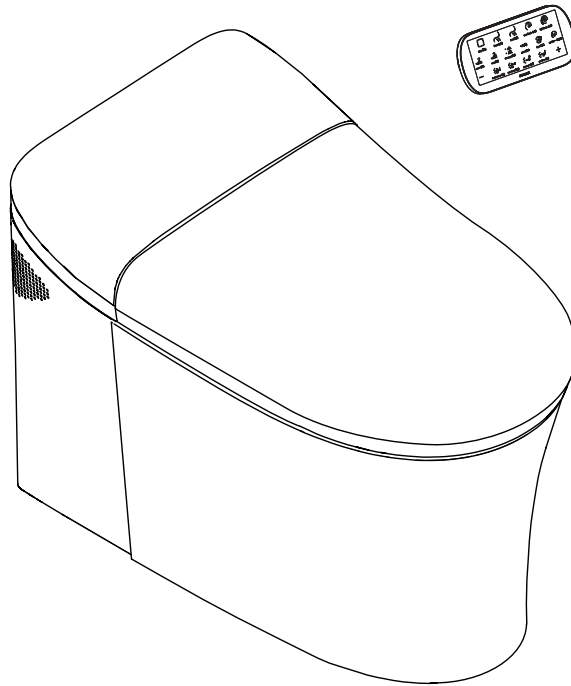


# Homeowners Guide

## 用户手册

EIR INTELLIGENT TOILET

尚思智能座便器



科勒（中国）投资有限公司

中国上海市静安区江场三路158号 邮编：200436

制造商：上海科勒电子科技有限公司

中国上海市宝山区丰翔路1955号 邮编：200444

# Contents

Cautions and warning.....	3
Specification.....	5
Thank you for choosing Kohler Company.....	6
Overall diagram.....	6
Remote controller user's guide.....	7
Remote controller setting guide.....	9
Preparations before initial use.....	11
Lid OPEN, CLOSE/ring OPEN, CLOSE.....	12
Flushing your toilet.....	13
Auxiliary key function .....	15
Wide oscillate mode.....	15
Standby mode.....	15
UV sterilization function.....	16
Sterilized water.....	16
Auto energy saving function.....	16
Inlet water filtration.....	16
Deodorization.....	16
Prolonged seating indication.....	17
Maintenance and cleaning.....	17
Trouble shooting.....	23
Description of Content of Hazardous Substances in Product.....	25

# Cautions and Warnings

## Save this instruction



**Warning:** risk of electric shock, fire or personal injury. This product must be installed safely. Connect only to dedicated 220V~, 50Hz, 10A circuit protected by Ground-Fault Circuit-Interrupters (GFCI's) or Earth-Leakage Circuit-Breakers (ELCB's).



**Warning:** Risk of electric shock or product damage. Do not immerse the product into water. Unplug when dismantle any toilet (with power cord), or turn off switch handle on (without power cord).



**Warning:** do not use any hard setting material (cement mortar) while installing the toilet. Thermal expansion of hard setting material (cement mortar) will damage or crash the feet of toilet. Kohler will not be responsible for any damage because of using hard setting material (cement mortar) for toilet installation.



**Warning:** Risk of product damage. Do not throw into the toilet what that will cause the toilet to block such as newspapers and sanitary towel. Do not bump the vitreous china with great force as it will cause damage and leaking.

**Important!** Risk of product damage. Do not install at a place where it may be splashed by water.

**Important!** Risk of product damage. Do not install the product at a place with excessive humidity, where moisture may condense at the surface of the product. Please maintain that the usage environment is under adequate ventilation, so as to prevent damage to electronic components.

**Important!** Risk of product damage or property loss. Water leakage may happen if the water pipe connector is pulled or pressed with excessive force.

**Important!** Risk of product damage. The product may be damaged if the nozzle is applied with excessive force.

**Important!** Risk of product damage. The part of the pipe where water may be frozen should be protected by thermal insulation. Any water left in the product may be frozen during the winter season. Please keep the product in room temperature before reinstallation or usage.

**Important!** Risk of product damage. The power shall not be connected before the work is finished. Otherwise it may lead to product failure.

**Important!** The stationary wiring must have a contact for separation that provide full disconnection under overvoltage category III condition.

**Attention:** The thermal protector may be out of order during storage or transportation in warm climate which can lead to product failure. Please ensure the product cools to room temperature before reinstallation or usage. When an electrical product is used, especially when children are near, the following basic safety precautions shall be followed:

### **Danger-Reduce risk from electric shock:**

- Do not place or store this device where it may fall or be dropped into a bath or sink.
- Do not place in or drop into water or other liquid.
- Only for models with power cord

Cautions and warning (cont.)

**WARNING - To reduce the risk of low grade burns, electric shock, fire or injury to persons:**

- Children, elders or those with disabilities from their body, sensitivity or mental disabilities or lacking of common sense should not use or get close to this product unless under close tutelage. Children are not allowed to use or touch this product. Do not leave children alone in a room with such product.
- For those children and the elderly who are unable to adjust the temperature, they should ask for help to adjust seat temp, water temp and wind temp of toilet cover to proper gears.
- This device complies with the method described in the manual. Do not use attachments not recommended by Kohler Co. such as angle valve etc.
- Do not lean on cover when use this device to prevent product from damage.
- Do not operate this device if following occasions occurred: damaged cord or plug; if it is not working properly or if it has been dropped into water. (only for models with power cord)
- Following the installation procedure and install the product properly.
- This product shall be repaired by professionals only. The warranty will become invalid if you try to repair this product by yourself.
- When install the product in the room, a stop valve shall be installed in a close proximity. For emergency circumstances, the water inlet valve shall be stopped without using any tools; otherwise unexpected failure may cause the loss to the customer.
- Keep power cord far from heated surface.
- Do not drop or insert any substance to pipeline or any opening holes.
- Do not use this product outdoor or in a place where a particle mist spray device is used, neither at a place using oxygen supply.
- The installation should be subject to the instructions before the power is connected.
- Prevent water splash on power plug (only for models with power cord).
- Prevent any exposed skin contact with heated seat too long to prevent low temperature burning.
- In case the power cord is damaged; to avoid danger, product should be replaced by the manufacturer or the professionals from its maintenance department or similar departments.
- UV sterilization devices should be installed and maintained by qualified servicemen.
- Please use the water supply hose accompanying with new machine. The old hose assembly shall not be used again.
- When user cut power supply off, if reactivation of power supply is required, please wait until the end of "beep....." indication, and then turn on power supply again.

Specification				
Flush volume		Average 3.3L, Full flush 3.8L, Flush ECO 3.0L		
Water efficiency grade*		Level III		
Pit distance		Floor drain 305/400mm, wall drain (Refer to product configuration table)		
Water pressure		Min water pressure 0.07MPa (dynamic pressure) Max water pressure 0.74MPa		
Rated voltage		220V~, 50Hz		
Rated power*		1080W		
Max instantaneous power		About 1600W		
Length of power line		Refer to product configuration table		
Product outline dimension		About 700mm x 418mm x 523mm		
Weight of product		About 46kg		
Inlet water temp		1-35°C		
Operation Environment		1-40°C		
Clean	Rear wash		YES, adjustable	
	Spiral wash		YES, adjustable	
	Front wash		YES, adjustable	
	Water flow (water pressure 0.2MPa)		Max rear wash shall be no less than 500mL/min	
	Adjust clean water temp		OFF, adjustable 5 dials (ambient temp, about 31-39°C)	
	Cleaning time (max.)		About 300s	
	Nozzle position adjustment		5 dials	
	Pulsate massage		ON/OFF	
	Oscillate		ON/OFF	
	Safety device		Water overtemp protection	Thermal fuse
		Back-flow prevention	Check valve	
Comfort	Thermal prevention		Temp adjustment	OFF, adjustable 5 dials
			Safety device	Thermal fuse
	Cover		Auto OPEN/CLOSE, slow swing, remote OPEN/CLOSE	
	Seat		Slow swing, remote OPEN/CLOSE	
	Dryer		Temp adjustment	ON/OFF
			Safety device	Thermal fuse
	Deodorizing function		Yes	
Remote controller		Yes, function setting refers to Page 9		
Sanitation	Nozzle self-clean		Yes	
	Antibacterial material		Seat	
	Sterilization water		Yes	
	UV sanitize		Yes	
Other function	Other safety devices		Circuit-Breakers	
	Water filtration		Yes	
	Toilet clean function		Yes	
	Auxiliary buttonboard		Yes	
	Seating detection		Located inside the seat	
	Night light		Yes	
	Auto cover OPEN/CLOSE*		Microwave sensing	
	Manual flush		Yes	
	IoT function		Refer to product configuration table	

\* The description of water efficiency label marked on intelligent toilet: water efficiency label represents a compliance mark of the water efficiency grade etc. performance of intelligent toilet.

\* Power value testing condition: dynamic pressure 0.2MPa, inlet water temp 15°C. \* Auto cover OPEN/CLOSE: Not applicable in Hong Kong market

The above parameters are for the full-functional version. For differences in the specifications of models, refer to their product configuration matrix.

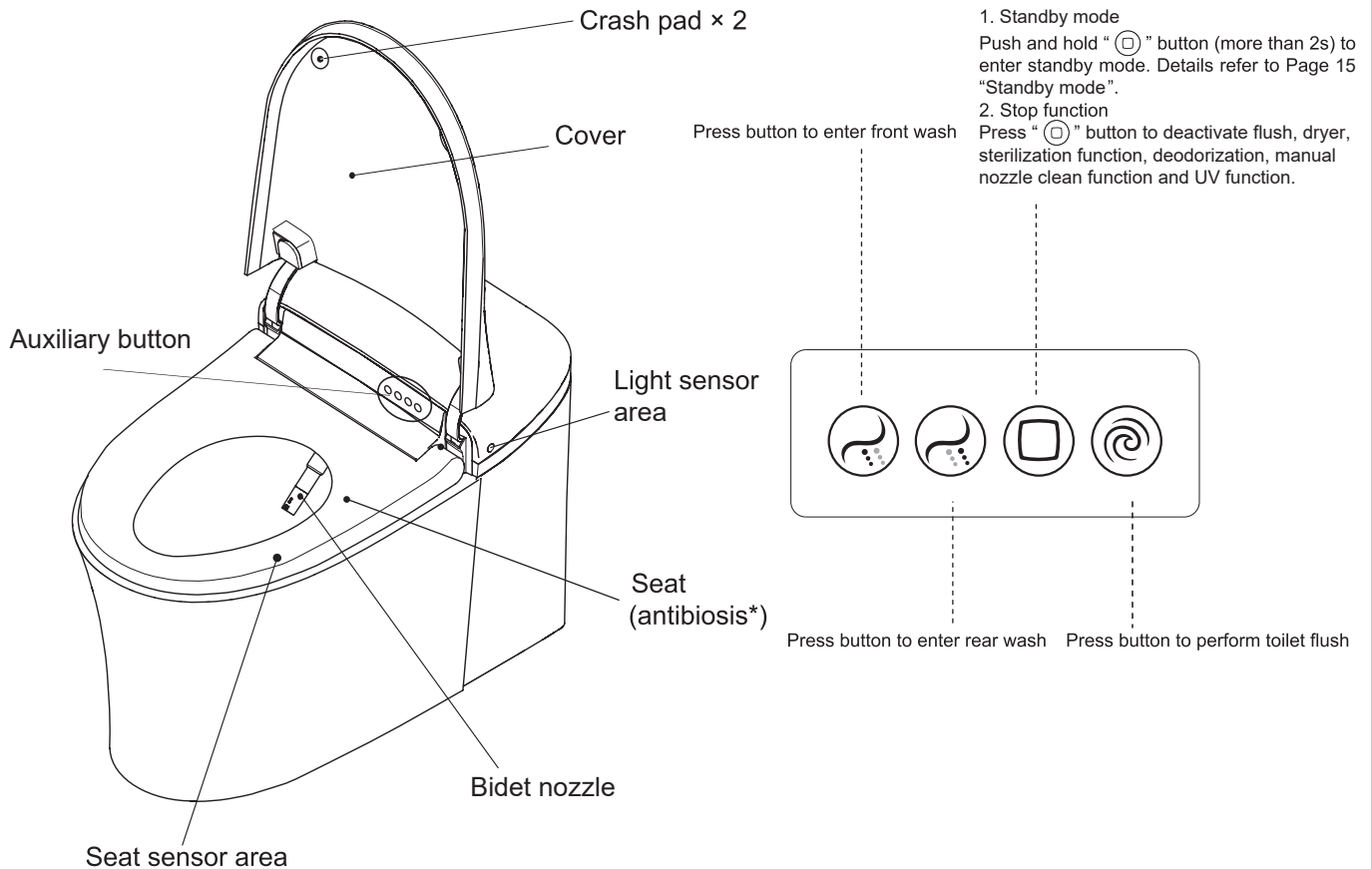
# Thank you for choosing Kohler Company

Thank you for choosing Kohler. Kohler technology provides reliable performance and elegant life, satisfying your demand now and into the future. Aesthetics and reliability of Kohler products will surely satisfy your personal style. We are very proud of Kohler products and you will be as well.

Please take a few minutes to read this user manual and pay special attention to the maintenance and cleaning instructions.

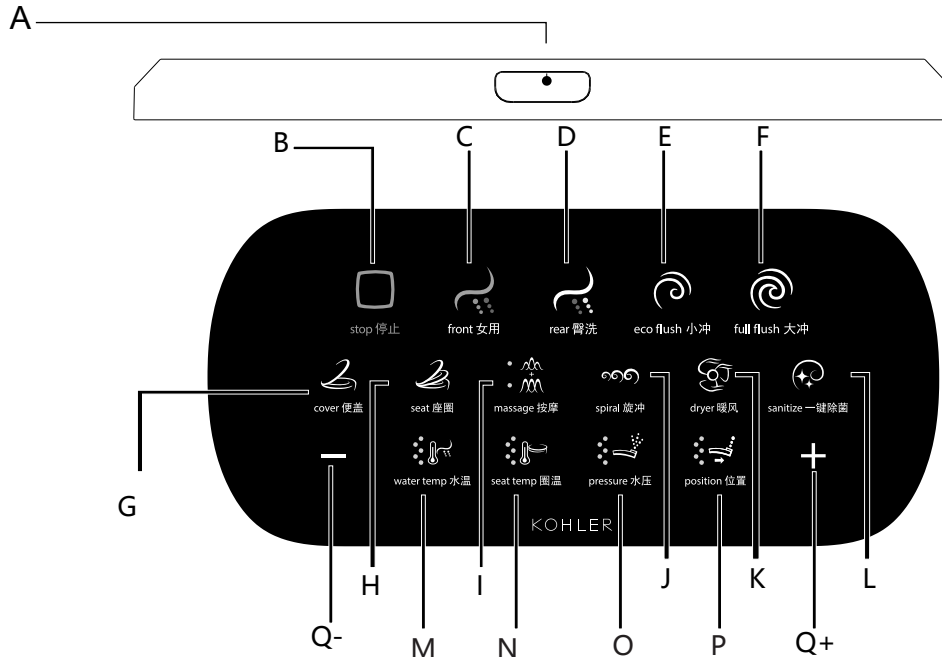
All information in this instruction is based on the latest published product information. We always persist in improving the quality of all Kohler products. We reserve the right to change product features, packaging or practicability of products at any time without making notification.

## Overall diagram



\* Antibacterial: the seat contains long term inorganic anti-bacteria material which will inhibit bacteria growth on surface, this does not represent the mildew and other incidental effects. The antibacterial rate is more than 90%. (Perform test in accordance with GB21551.2-2010 requirements. Testing lab: China household electrical appliances testing institute; electromechanical products testing technology center of Shanghai Entry-Exit inspection and quarantine bureau.)

# Guide on usage of remote controller



**Warning:** Take down the remote control from charger before pressing Start button to prevent risk of falling (A).

## A - Activating toilet

- Press this button to activate the toilet by remote. Press it again to switch ON/OFF after start.
- If the toilet is not connected after activation, the icon on the third row will blink. Successful connection will stop it from blinking and enter into serviceable condition.

## B - Deactivating toilet

- Press this button to deactivate the Front wash, Rear wash, Dryer and Deodorization, Manual Cleaning nozzle or UV function.
- Push and hold the button to deactivate remote.

## C - Front wash

- When seated, press this button to enter front wash, auto stop after 5min or press STOP button to turn off immediately.

## D - Rear wash

- When seated, press this button to enter rear wash, auto stop after 5min or press STOP button to turn off immediately.

## E - ECO flush

- Press this button to perform small volume flush (liquid waste) to toilet

## F - Flush full

- Press this button to perform large volume flush (solid waste) to toilet

## G - Cover OPEN/CLOSE

- When unseated press this button to perform cover OPEN/CLOSE action.

## H - Seat OPEN/CLOSE

- When unseated press this button to perform seat OPEN/CLOSE action.

## I - Pulsate oscillate

- After activate front wash or rear wash, press this button to enter oscillate, press again to enter pulsate wash, press the button the third time to perform oscillate/pulsate wash, press the button the fourth time to exit this mode (when corresponding function activated, LED on the left side of icon will light up)

## J - Spiral

- During rear wash, press this button to perform spiral wash. The Spiral icon blinks. Press it again to exit (or press "Stop" to turn it off).

## K - dryer

- When seated, press this button to activate dryer function, auto stop after 4min or press STOP button to turn off immediately.

### L - Sterilization function

- Press this button to perform wand and bowl overall clean function. (Note: seat/cover open/close by remote when the function is in process. The function shall be disabled when seated.)

### M - Water temp

- Press +/- (Q+/Q-) to adjust water temp when front wash or rear wash is activated.

### N - Seat temp

- Press this button to adjust seat temp dial, press +/- (Q+/Q-) to adjust seat temp.

### O - Water pressure

- Press +/- (Q+/Q-) to adjust water pressure when front wash or rear wash is activated.

### P - Nozzle move


- Press +/- (Q+/Q-) to adjust nozzle position when front or rear wash is activated.

### Q - parameter adjustment button Q+/Q-:

- Only when M/N/O/P function is activated, the +/- button shall be activated and perform corresponding parameter adjustment.




## Low voltage alarm

Note: please charge in time when the voltage alarm is activated.

- When  button blinks, it indicates that the built-in battery in the remote control is almost used up. Attach the remote control to the docking station and allow it to charge.

## Pairing

Note: pairing operation can only be done under unseated status.

- Cover and seat is powered on, press boot button on remote top. When the bottom roll of icons blink for a long time this indicates remote require pairing with the toilet.
- Push and hold  button, after the bottom roll of icon blinking, the toilet operation start.
- Push and hold  and  button on toilet side panel simultaneously, release button after hearing a short beep.
- When the bottom-roll of icons on remote stop blinking, it indicates pairing successful.

## Communication between remote control and toilet

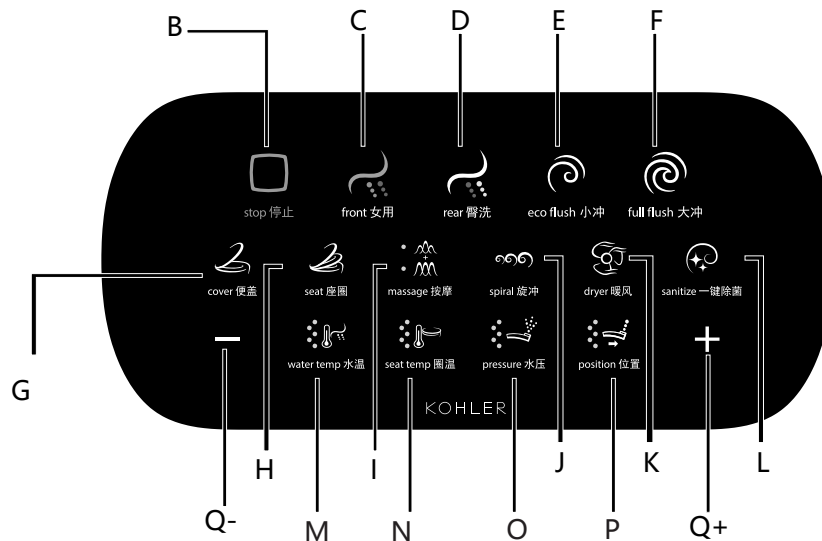
- When remote move away from sensor area, the bottom roll of icons on the remote will auto blink (indicate searching for toilet signal). When move remote close to toilet, the signal will auto connect, icons stop blinking after successful connection.


## Deactivation function

- Whenever Push and hold  button, remote enter OFF status.



# Remote setup instruction



Push and hold  button on toilet side panel until a short beep is generated, and release the button after night light blink 3 times. Then press D/F/G/H/J/L/N to change setting accordingly.

## D - Rear wash...Deodorizer function setting

- Push and hold the button to activate or deactivate deodorizing function.
  1. Night light quick blink once indicates activate deodorizer function (short beep).
  2. Night light slow blink once indicates deactivate deodorizer function (long beep).

## F - Flush full...auto flush setting

- Push and hold the button to stop flushing function, restore auto flush when Push and hold the button again.
  1. Night light quick blink once indicates activate auto flush function (short beep).
  2. Night light slow blink once indicates deactivate auto flush function (long beep).

## G - Cover OPEN/CLOSE...sensor distance setting (Not applicable in Hong Kong market)

- Push and hold to perform auto cover OPEN/CLOSE sensor area setting
  1. Night light quick blink once indicates short distance (short beep)
  2. Night light quick blink twice indicates medium distance (short beep)
  3. Night light quick blink three times indicates short distance (short beep)
  4. Night light slow blink once indicates deactivate auto cover OPEN/CLOSE function (long beep).

## H - Seat OPEN/CLOSE...prolonged seating indication setting

- Push and hold to enter prolonged seating indication function setting
  1. Night light quick flash once (short beep), prolonged seating indication function activated;
  2. Night light slow flash once (long beep), prolonged seating indication function deactivated.

## J - Spiral wash...night light function setting.

- Push and hold to enter night light function setting.
  1. Short beep indicates night light function activated.
  2. Long beep indicates night light function deactivated.

## L - One button sterilization function...auto UV sterilization setting

- Push and hold the button for UV auto sterilization ON/OFF status setting
  1. Night light quick blink once indicates activate auto UV sterilization function (short beep).
  2. Night light slow blink once indicates deactivate auto UV sterilization function (long beep).

## N - Seat temp...energy saving setting

- Push and hold seat temp button to activate energy saving function, push and hold the button to deactivate function.
  1. Night light quick blink once indicates activate energy saving function (short beep).
  2. Night light slow blink once indicates deactivate energy saving function (long beep).

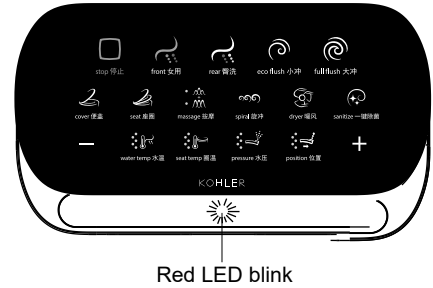
When there's no change on E/F/G/H/J/L/N setting for a certain period of time, press button on toilet side panel before change next time, until one short beep is generated and night light blink 3 times.

## P. Position...nozzle clean setting

- When unseated, push and hold button to activate manual nozzle clean function, nozzle extend, manual clean the nozzle, then push and hold button or press STOP button to deactivate the function.

## Remote controller battery usage and replacement

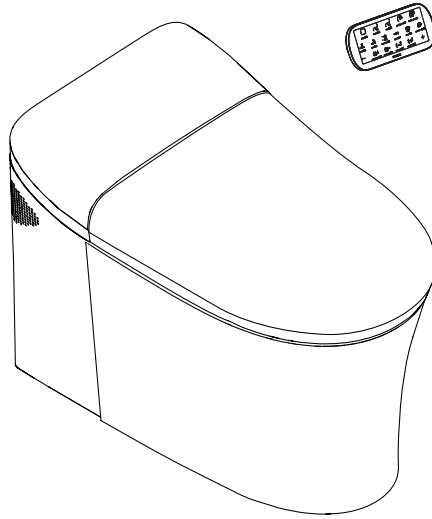
- Remote docking station use four AA alkaline batteries.
- When battery is low, docking station red LED blink and light up, indicates the replacement of battery.
- Note:
  1. The +/- polarities of battery must be consistent with the mark of remote controller.
  2. Do not mix new and old batteries.
  3. Please use alkaline battery.



## Others

- Do not place remote at a place where it may be splashed by liquid or immersed in liquid.
- Do not place remote near hand dryer, hair dryer etc. small size home appliances to avoid disturbance from proper use.
- Do not apply frequent and sever external force to the key zone.
- After using remote, place remote back on docking station mounted on the wall.
- Prevent from dropping in the use of remote.
- Anti-loss function: remote can be locked and fixed to the base by screws. Refer to the installation instructions for detailed methods.

## Preparations before the initial use



- Confirm if water inlet valve is open.
- Confirm battery has been correctly installed in the “remote”.
- Confirm no obstacle in front of product.
- After toilet complete self check, it is normal to hear motor rotating and water flow noise. When night light blink indicates self-check is in process.

- Default ex-work status for initial use :

Front wash:

- Water temp: mid
- Water flow intensity: mid
- Ejection position: mid

Rear wash:

- Water temp: mid
- Water flow intensity: mid
- Ejection position: mid

Spiral wash:

- Deodorizing function: ON

Seat temp: mid

Night light: ON

Energy saving: OFF

Auto cover OPEN/CLOSE\*: ON

Auto flush function: ON

Auto UV function: ON

Auto sterilization function: ON

Standby mode: OFF

Prolonged seating indication function: OFF

The above settings are for the full-functional version. For differences in the specifications of models, refer to their product configuration matrix.

\*Auto cover OPEN/CLOSE: Not applicable in Hong Kong market.

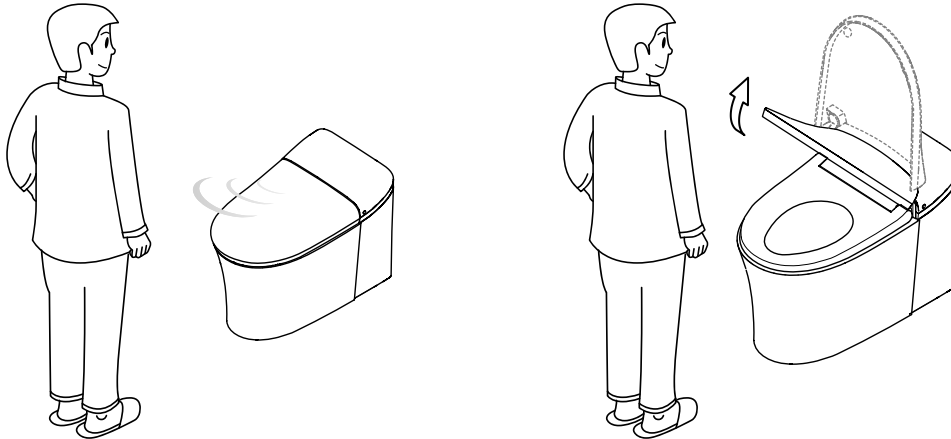
## Cover/seat OPEN/CLOSE function

### A. Cover OPEN/CLOSE


- Auto cover OPEN, CLOSE\* Not applicable in Hong Kong market

When cover is CLOSE, user enters sensor area, cover auto open.

When cover is OPEN, user leave sensor area, cover auto close after a period of time.



- Cover OPEN and CLOSE by remote

When unseated, press cover OPEN/CLOSE button on remote to perform corresponding OPEN/CLOSE function (details are shown in the diagram of remote control). When seated, press remote  button will be invalid.

- Manual cover OPEN and CLOSE

User could manually OPEN/CLOSE cover. When users intend to open or close the cover under normal condition, the cover can open or close automatically against the trend of motion. Users will not have to use force. Once being stopped by any obstacle during motion, the cover will automatically stop moving.


#### NOTES:

1. When the user walk by the sensing area slowly, the sensing distance for cover opening/closing may be shortened. If no response is made, please open or close the cover with the remote control or by hands.
2. The function of auto cover opening/closing works only when "setting of cover opening/closing" in remote controller is "ON" (Refer to page 9 for setting method)
3. Do not place any movable obstacle within 40cm in front of toilet. If any, the cover will open automatically; if you would like to deactivate the function of "Auto cover opening/opening", please refer to page 9.
4. When open cover, auto spray water mist so the dirt is not easy to stick on the toilet.



### B. Seat OPEN/CLOSE

- Seat OPEN and CLOSE by remote

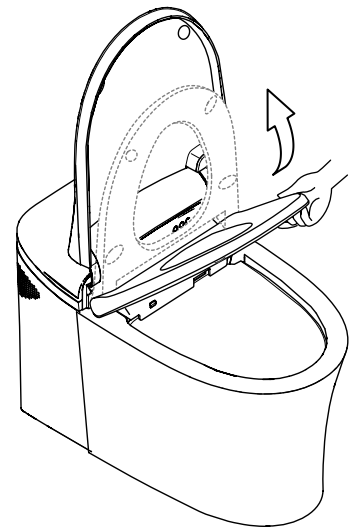
When unseated, press seat OPEN/CLOSE button on remote, perform corresponding OPEN/CLOSE function (details are shown in the diagram of remote control). When seated, press remote  button will be invalid.

- Manual seat OPEN

User could manual OPEN/CLOSE seat. When users intend to open or close the seat under normal condition, the seat can open or close automatically against the trend of motion. Users will not have to use force. Once being stopped by any obstacle during motion, the seat will automatically stop moving.

Note:

Do not use excessive force etc. human related factor when open/close the cover/seat during cover/seat open/close process.

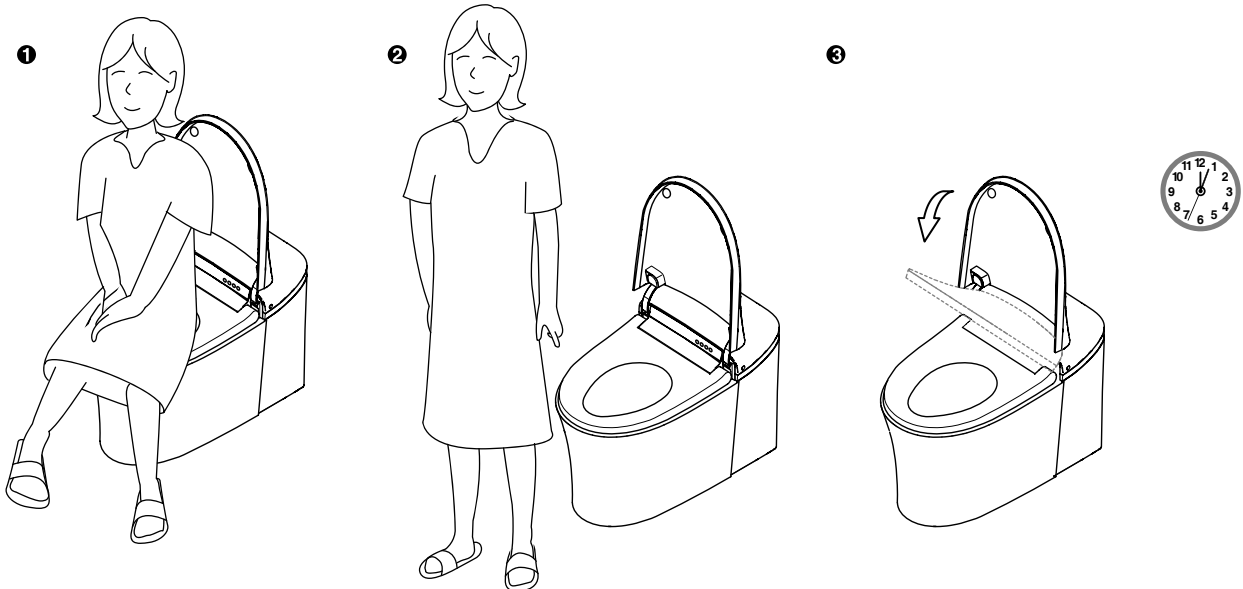


## Flushing your toilet

### A. Auto flush function

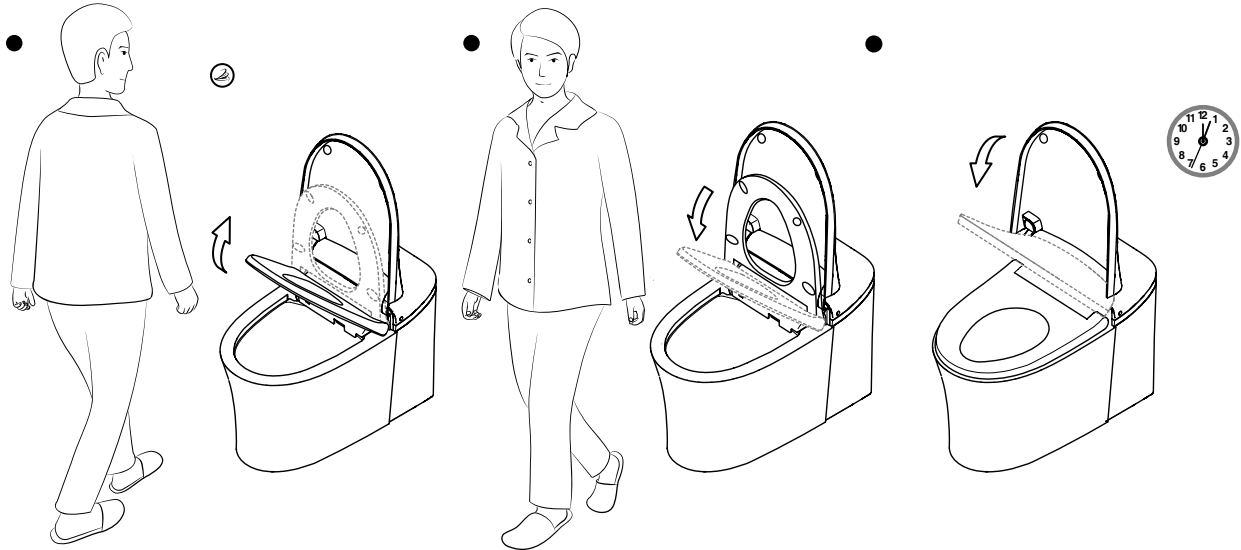
#### a) Seat usage

When cover is OPEN and toilet is in use. Toilet will auto flush after unseated for a certain time. Close seat within a period of time.



## b) For male use

When cover is OPEN and toilet is in use, Toilet will auto flush after unseated for a certain time. Auto close seat/cover after a period of time.



### Note:

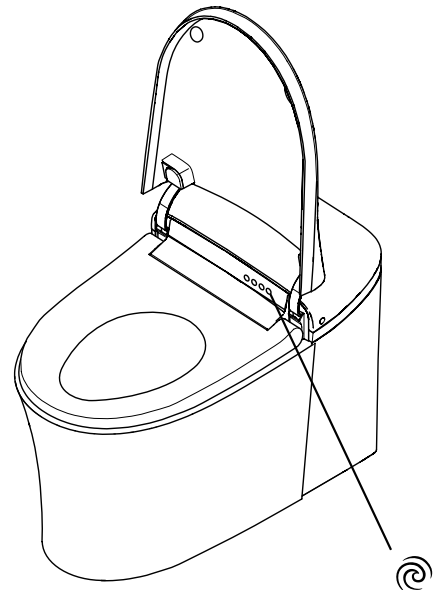
1. If auto flush function is OFF, customer shall use remote to control flush, manual flush toilet or use basin to flush the toilet.
2. Auto flush function shall not be valid unless remote "flush setting" set to ON. (Setting method refers to page 9).

## B. Remote control flush

Customer shall push flush FULL/ECO button on remote to perform toilet flush function.

## C. Emergency flush

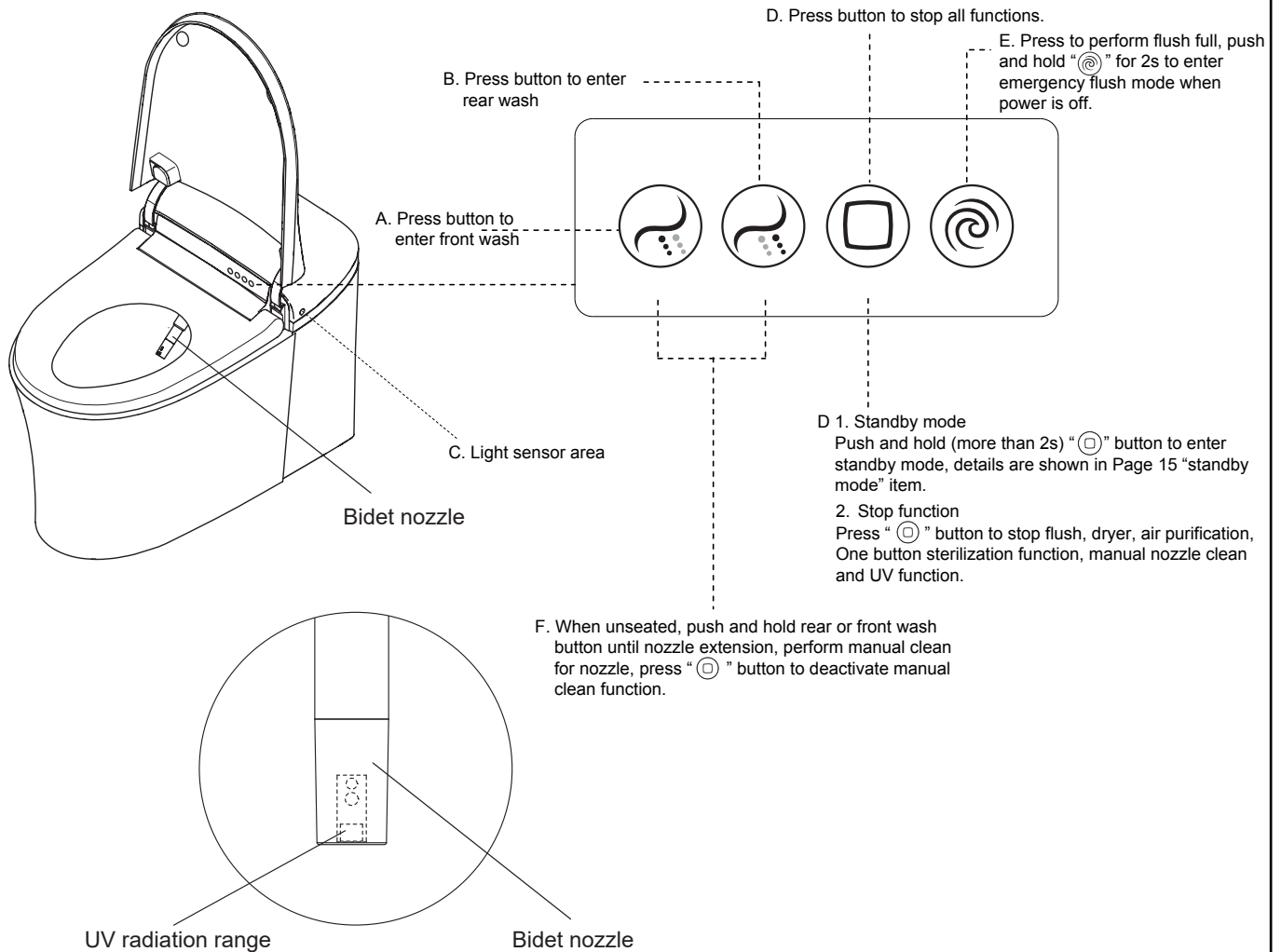
1. Press "Ⓢ" auxiliary button to perform flush function when power is off.



\* After each flush, little clean water will drop into bowl. This is a normal clean process.

2. Manual flushing by basin

## Auxiliary keyboard function



### Note:

1. Each function performance shall conform to factory setting.
2. When use the front wash/rear wash mode, activate corresponding function, auto deactivate after 5min.
3. Deactivate front wash/rear wash/dryer function by pressing "⊙" button.
4. Use "⊙" button to flush bowl.

## Wide oscillate clean function

The Bidet is equipped with wide oscillate clean function. If you would like to use wide oscillate function, push and hold rear wash + STOP button about 2s before activate rear wash + oscillate function; activate oscillate function.

## Standby mode

1. Push and hold "⊙" button (over 2s) on side panel, enter standby mode when generate one "beep". Auto detection and remote function deactivated at this point, so as IoT function (for IoT models), top indicating LED OFF. Seat heating function deactivated to minimize energy consumption.
2. When press any button on side panel or seated, auto exit standby mode, all function recovered.

## UV sterilization function\*

1. UV function is used to sterilize the nozzle by UV.

2. Auto UV sterilization

- When toilet is not in use for a long time, auto UV sterilization function will be activated and start sterilizing nozzle. No sterilization function shall be activated after this process in another 24hrs.
- During UV sterilization process, if customer open cover and start use toilet, or presses STOP button on remote, UV sterilization function will be deactivated.
- Auto UV sterilization function setting refers to Page 9.

3. Manual UV sterilization

- When unseated, press “One button sterilization” button on remote to activate UV sterilization function (details are shown in the diagram of remote control).
- During sterilization process, if customer open cover and start use toilet, or presses STOP button on remote, UV sterilization function will be deactivated.

\* UV sterilization (refers to the ultraviolet sterilization generated by UV lamp): During UV working cycle, the bacteria on nozzle surface will be eliminated by irradiation. The antibacterial rate is more than 99%. (Measured after one UV working cycle, it was measured within 18mm×8mm irradiation area. Perform test in accordance with GB /T 23131 requirements, UV radiation zone was shown in the diagram, UV working cycle activation mode refers to users guide. Testing lab: China household electrical appliances testing institute.)

## Sterilized water\*

1. Perform nozzle sterilization function by using sterilized water.

- After use front wash, rear wash or spiral wash etc. functions, toilet activates sterilization function after leaves toilet.

2. Manual sterilization function

- When unseated, press remote “Sterilization” button to activate nozzle sterilization function/bowl clean function (details refer to remote user’s guide).

\* Sterilized water (refers to refers to the tap water containing hypochlorite generated by chlorine ions after ionization): Sterilized water generated during electrolysis working cycle eliminates bacteria on the nozzle surface. The antibacterial rate is more than 96%. (Perform test in accordance with GB /T 23131 when the content of chlorine ions in tap water is >24ppm. Different water quality might cause different sterilization effect. Electrolysis working cycle activation method refers to operation description. Testing lab: China household electrical appliances testing institute.)

## Automatic energy saving function

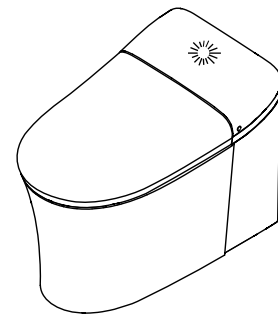
1. When energy saving set to ON status, product shall auto detect the idle hours and decrease the heating temperature to reach of energy saving purpose.

2. For details of automatic energy saving, refer to page 9.

## Inlet water filtration

Purified water used for rear wash/spiral wash/front wash.

1. When filter almost expires, orange LED keeps ON (as shown).
2. When filter has expired and require replacement, orange light blinks.
3. Orange and while LED blinks alternately indicate improper filter installation.
4. For filter exchange refer to page 18.



## Deodorizer

1. Product default factory setting is auto activate deodorizer function when detecting customer seated.
2. Refer to Remote Setting for how to switch over auto deodorization function.



## Prolonged seating indication

When customer sits on toilet over a long period of time, system shall alert customer by buzz.

Refer to remote setting for how to switch to prolonged seating function.



## Maintenance and cleaning

### A. Normal cleaning

**For the best effect, remember the following rules during maintenance of your Kohler product:**

**Important! Do not flush the cover directly by water (including remote controller)**

- Testing - apply cleaning solution at an inconspicuous place on cover for testing. Make sure the cleaning solution will not damage the outer surface of cover, and then apply it to the entire surface.
- Do not immerse in cleaning solution. Do not immerse the product in cleaning solution.
- Avoid using materials that will damage the surface-Clean the surface with a soft and wet sponge or cotton cloth, instead of materials that can damage the surface.
- Scrubbing - After adding the cleaner, use a wet towel to scrub the surface immediately to remove cleaner or dirt sprayed to the surface.



### Cleaning the seat

- Do not use abrasive cleanser or sanitizer inside the spray tank for cleaning.

Maintenance: In case of using a mixture of washing agent and water as well as any available solution for seat cleaning, use soft and wet sponge or towel to clean the seat. Use a soft towel to make the seat dry, or let it dry naturally.

- Corrosive chemicals or cosmetics (such as nail polish or aftershave) should not come in contact with these at as this will damage the surface.

### Clean stainless steel beauty parts

- Clean surface with neutral soap water, then wipe entire surface with clean soft rag. Many detergents such as ammonia water, decontamination powder and detergent etc. will cause surface damage. Do not use.

**Note:** fail to observe cleaning instruction will void the Kohler warranty.

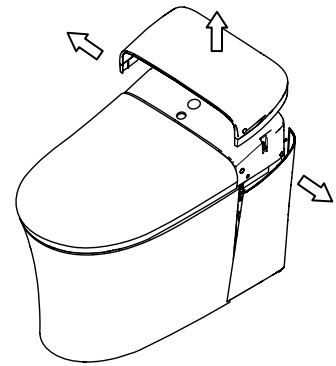
**Caution:** The success of the cleaning process depends on the water hardness and temperature, the dose precision of composition, cleaning regulation variation and cleaning product status etc. factors. Kohler can't ensure the validity of rules since these factors may change.

**Note:** when clean opened seat, do not apply excessive force to avoid any product damage.

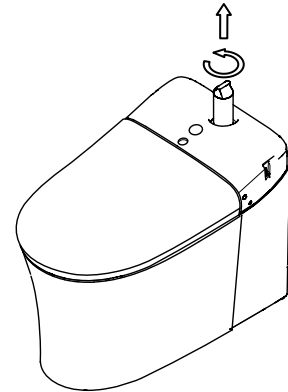
## B. Purification water filter exchange

### 1. Dismantle toilet cover

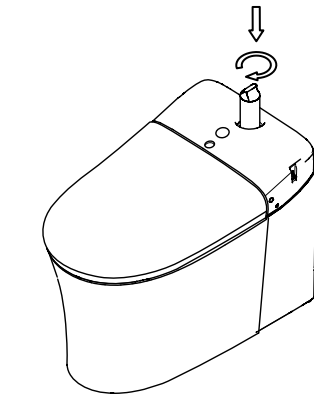
Open toilet back cover and slide up by tool (provided).  
Pull the housing cover outwards from both sides, and then pull it out from the top.



### 2. Turn the old filter out as shown.



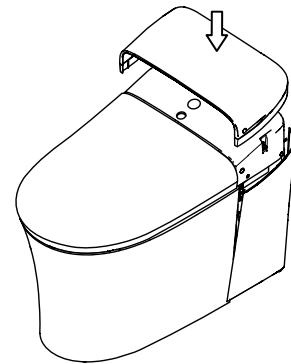
### 3. Slightly apply pressure as shown, tighten new filter.



### 4. System shall auto dismiss alarm and return to normal status.

### 5. Re-close cover.

Press housing cover downwards by hand, after snap both sides and front in properly, complete installation when tightened.

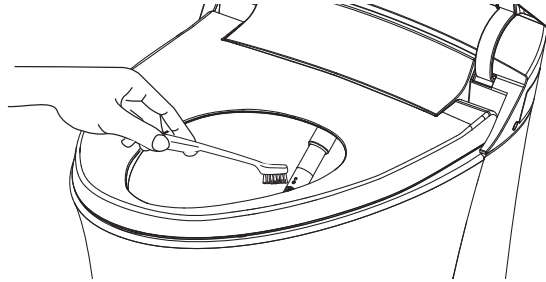


Note: i. Do not cut power supply off when change filter, otherwise the system shall not be able to dismiss alarm.  
ii. In case of changing filter when power is off, please pull filter out and plug in once to dismiss alarm after power is on.  
iii. A small amount of water will flow out during replacement process.

## C. Nozzle clean

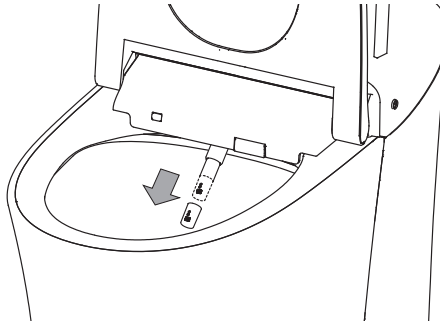
Method of washing the front/rear wash nozzle with a soft brush:

- Under unseated status, push and hold the “nozzle oscillate” key on the “remote control” for 2 seconds, or press and hold the front wash or rear wash key on the side panel to extend the nozzle.
- Use a wet soft brush to clean the nozzle.
- Press one of the above keys or the stop key on remote control one more time. The nozzle will retract or the nozzle will retract automatically after 2 min.

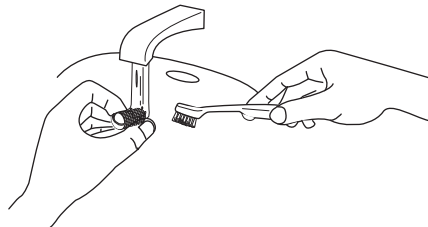


Customer to remove nozzle for cleaning:

- When unseated, push and hold the “oscillate” button on the “remote control” for 2 seconds, or press and hold the front wash or rear wash button on the side panel to extend the nozzle.
- Disconnect power supply within 2mins.
- Remove nozzle along the arrow direction as shown.



- Immerse nozzle into cleaning solution for 2 hours.
- Clean with soft brush.



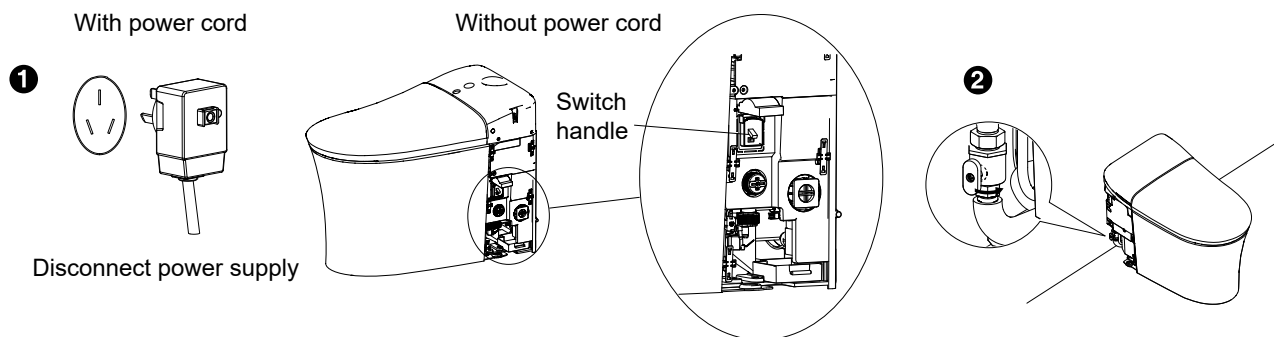
- Mount nozzle back to original position along the dismantle direction.
- Check nozzle clean function after power is ON.

## D. Cleaning or Replacing the Filter

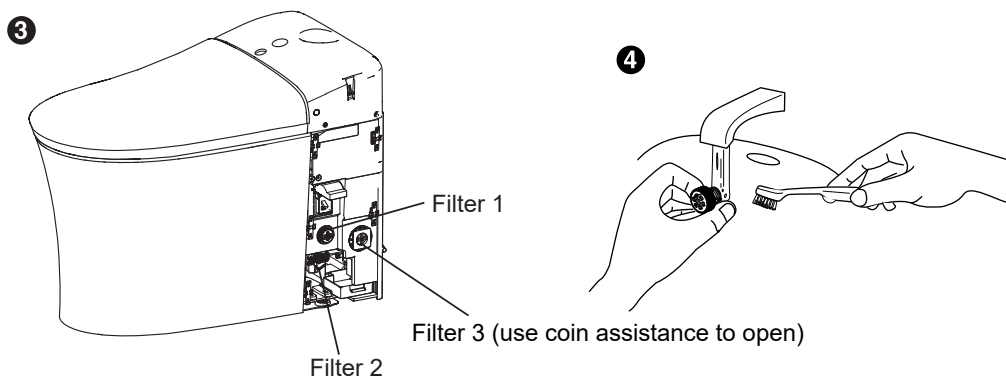
Clean or replace the filter if there's not enough water volume or water is not coming out.

### Cleaning the toilet filter

- Disconnect the power supply; turn off stop valve (with power cord).
- Turn auto protection switch handle on (without power cord).



- Take out filter and clean it.



- Reinstall filter and turn stop valve on.
- Inspect joint, plug power cord/or turn the switch handle when there's nowater leak.

The steps to replace filter are the same as the above steps.

Notes:

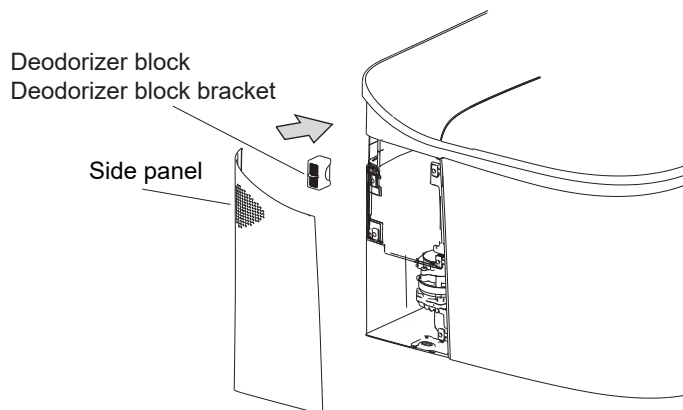
If filter is found broken or serious blocked, please replace it in time.

## E. Exchange Deodorizer Block

Please replace the deodorization block timely when the odor can not be removed.

- Remove side panel and take deodorizer block bracket out.
- Hold deodorizer block with finger and dismantle from deodorizer block bracket.
- Reinstall new deodorizer block into deodorizer block bracket. Insert deodorizer block bracket into product.
- Reinstall side panel back.

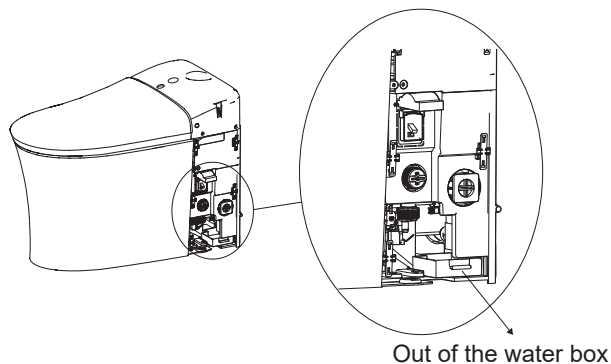
**Note:** When take deodorizer block off, please do not insert finger or other objects into deodorizer block cavity to prevent fan or other parts damage.



Scan the QR code to order the replaced part with the part number 22761T-NA.

## F. Water box drop

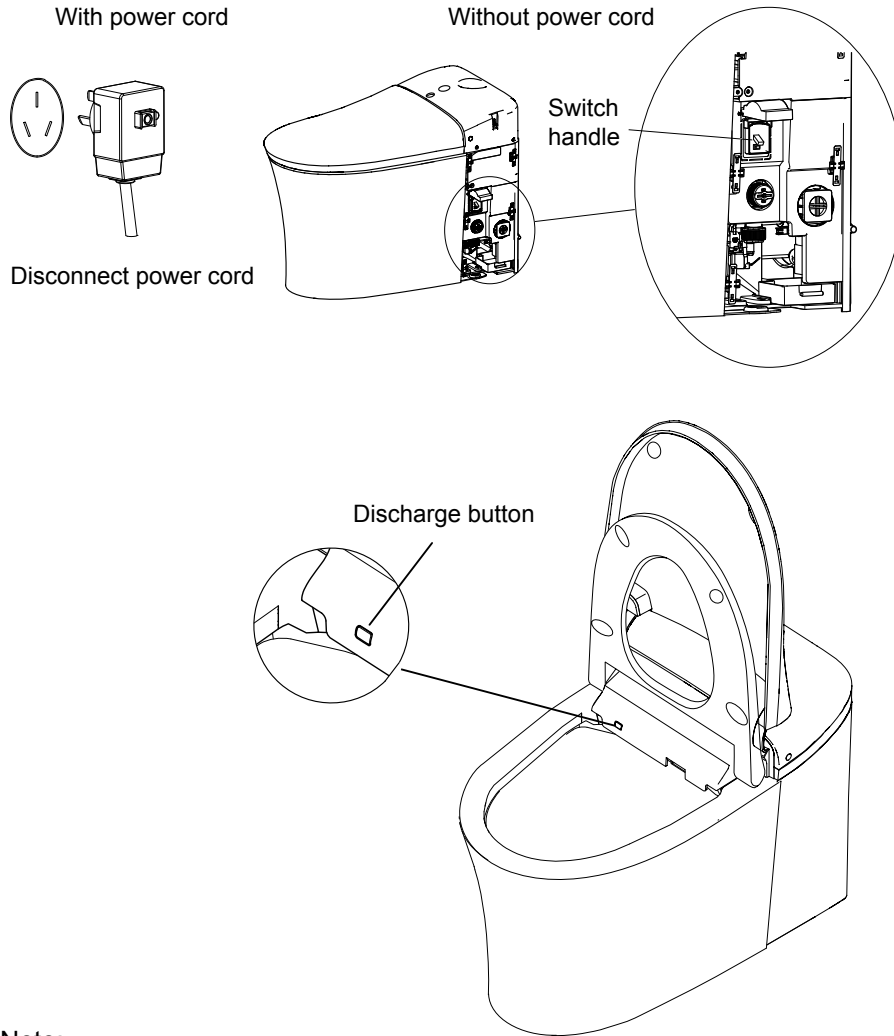
- When the machine is working, there may be a little water flowing into the water box. Please check and drop the box of water frequently and then return the box.
- Replace the water Filtration will be a little water into the water box, please drop the box of water, and then the box back.



## G. Maintenance in case of long-term idle status

a) If the intelligent toilet will be idle for a long term, make sure the water in pipeline of cover is drained completely:

- Disconnect the power supply, and turn off the tee valve. Push discharge button, discharge the water inside heating pipe (with power cord).
- Turn auto protection switch handle off, discharge button, discharge the water inside heating pipe (without power cord).



Note:

1. If water is not completely drained and meanwhile the product is idle for a long time, the residual water may freeze in winter or spoiled in summer.
  2. If you find the water supply pipe has been frozen, do not use the intelligent cover. You need to raise the room temperature and use it after the water is thawed.
  3. When the winter temperature exceeds the normal working temperature, and there is a risk of freezing in water pipe, please turn off the tee valve and perform one flush/or discharge the toilet.
  4. When use after long term idle status, please close the tee valve and then press it again for flushing.
  5. When use after long term idle status, make sure to flush it for several times and the inner pipelines are clean.
  6. In case of long term idle status, remove the batteries in the charging block of remote control.
- b) Open cover or add water inside the toilet might avoid the plastic parts yellowing problem caused by backflow air from discharge pipe after residual toilet water evaporated during long-term idle status.

# Trouble shooting

This guide of trouble shooting is for general help only. Authorized representatives or qualified electricians of Kohler Company shall be able to solve all electrical failures. If you want to know about the service of warranty, please contact local dealers or wholesalers.

Symptoms	Possible Causes	Recommended Actions
1. Toilet does not work.	<ul style="list-style-type: none"> <li>A. Power failure</li> <li>B. Plug not connected or no power to socket</li> <li>C. The leakage circuit breaker on plug does not reset.</li> <li>D. Product is on standby mode</li> <li>E. Toilet switch on side panel</li> </ul>	<ul style="list-style-type: none"> <li>A. Wait until the power is restored</li> <li>B. Plug in or detect the socket</li> <li>C. Press Reset button on the plug</li> <li>D. Press “⊖” button on auxiliary keyboard.</li> <li>E. Turn on the toilet switch</li> </ul>
2. Toilet fails to flush	<ul style="list-style-type: none"> <li>A. Water failure</li> <li>B. Tee valve for water supply is closed</li> <li>C. Power failure</li> <li>D. Product is at standby mode</li> <li>E. Wash mode is in progress</li> <li>F. Auto-flushing is deactivated</li> </ul>	<ul style="list-style-type: none"> <li>A. Wait until the water supply is restored</li> <li>B. Open the tee valve for water supply</li> <li>C. Wait until the power is restored or review "manual flush" section for manual flush or flush by basin.</li> <li>D. Press “⊖” button on auxiliary keyboard.</li> <li>E. Perform after flushing operation completed.</li> <li>F. Review "Guide on remote controller setting"</li> </ul>
3. Toilet is not clean after flushing.	<ul style="list-style-type: none"> <li>A. Filter screen is blocked</li> <li>B. Insufficient water pressure.</li> </ul>	<ul style="list-style-type: none"> <li>A. Refer to "Filter screen clean"</li> <li>B. Check if all tee valves are opened. If not, please open;</li> <li>C. Check bend problem on inlet hose, if so, adjust hose.</li> </ul>
4. Wash mode is abnormal.	<ul style="list-style-type: none"> <li>A. Water failure</li> <li>B. Tee valve for water supply is closed or not opened completely</li> <li>C. Product is on standby mode</li> <li>D. Not yet seated or current sitting posture unable to be sensed by the seat</li> <li>E. Filter screen is blocked</li> <li>F. Insufficient water pressure.</li> <li>G. Incorrect air filter installation.</li> </ul>	<ul style="list-style-type: none"> <li>A. Wait until the water supply is restored</li> <li>B. Fully open the tee valve for water supply</li> <li>C. Press “⊖” button on auxiliary keyboard.</li> <li>D. Seated or adjust your sitting gesture</li> <li>E. Review the section of "Washing the filter screen"</li> <li>F. Check bend problem on inlet hose, if so, adjust hose.</li> <li>G. Install filter correctly. (refer to Page 18).</li> </ul>
5. Flush function stops in operation process.	<ul style="list-style-type: none"> <li>A. Flushing mode stops automatically after continuous flushing for 5 minutes</li> <li>B. The seat is unable to sense human body</li> </ul>	<ul style="list-style-type: none"> <li>A. If necessary, press the flushing button again.</li> <li>B. Adjust your sitting gesture or sit on the toilet again.</li> </ul>
6. The wash mode runs even when unseated.	<ul style="list-style-type: none"> <li>A. The seat is covered by foreign matters or the seat is wet.</li> </ul>	<ul style="list-style-type: none"> <li>A. Remove the foreign matters or dry seat.</li> </ul>
7. Dryer fan stops in operation process.	<ul style="list-style-type: none"> <li>A. The dryer fan stops automatically after continuous usage for 4 minutes</li> <li>B. The seat is unable to sense human body</li> </ul>	<ul style="list-style-type: none"> <li>A. If necessary, press the dryer button again.</li> <li>B. Adjust your sitting gesture or sit on the toilet again.</li> </ul>
8. Deodorization fan does not work	<ul style="list-style-type: none"> <li>A. The seat is unable to sense human body</li> <li>B. Stop button is pressed by mistake during operation</li> <li>C. Auto deodorization function is deactivated</li> </ul>	<ul style="list-style-type: none"> <li>A. Adjust your sitting gesture or sit on the toilet again.</li> <li>B. If necessary, please leave for about 2S and then sit on the toilet again.</li> <li>C. Review "Guide on remote controller setting"</li> </ul>
9. Cover fails to close/open	<ul style="list-style-type: none"> <li>A. The seat is covered by foreign matters or the seat is wet.</li> <li>B. The toilet cover is interfered by people at the open/close process before</li> </ul>	<ul style="list-style-type: none"> <li>A. Remove the foreign matters or dry seat.</li> <li>B. Use the remote control or manually open/close the cover until it works properly. Do not block switch during open/close process</li> </ul>

<p>10. Auto cover fails to close/open. (Not applicable in Hong Kong market)</p>	<p>A. User is not seated enters or leaves the sensing area B. Remote controller "automatic cover-turning" function is deactivated C. The toilet is in the process of flushing</p>	<p>A. Please sit or leave the sensing area B. Review "Guide on remote controller setting". C. Wait until the flushing process is completed</p>
<p>11. Night light does not work</p>	<p>A. The night function is turned off B. The indoor light is too bright</p>	<p>A. Refer to night light function in "Guide on usage of remote controller". B. Turn off the lights and close the curtain.</p>
<p>12. UV sterilization function does not work</p>	<p>A. User sits on the toilet. B. The seat is covered by foreign matters or the seat is wet</p>	<p>A. Please close the cover and reactivate the UV sterilization again when unseated. B. Remove the foreign matters or dry the seat</p>
<p>13. Remote is unable to display</p>	<p>A. Battery exhausted. B. Battery polarities are mounted reversely C. The remote controller is not woken up</p>	<p>A. Replace with new batteries B. Reinstall properly C. Touch remote controller screen of Approach to the toilet or seated. Press Wake up key on the remote control</p>
<p>14. Remote control fails to connect to toilet.</p>	<p>A. Lower battery B. The remote control is too far from the toilet C. The toilet is not yet powered on D. The toilet is on standby mode E. The toilet is not connected to the remote control</p>	<p>A. Review "Usage and replacement of battery for remote control" chapter and replace battery accordingly. B. Review "Communication between remote controller and the toilet", and approach to the toilet C. Power on the toilet. D. Press "⊖" button on auxiliary keyboard. E. Review "Communication between remote and toilet" and connect toilet and remote accordingly.</p>
<p>15. The seat is not warm.</p>	<p>A. Remote seat temp set too low. B. Toilet is on standby mode.</p>	<p>A. Set seat temp to proper dial. B. Press "⊖" button on auxiliary keyboard.</p>



## Description of Content of Hazardous Substances in Product

### Reclaim Indication

When the product exceeds service life or is unable to use after repair, do not throw the product away in the normal trash. Please dispose the waste electronic parts through a qualified reclamation enterprise. Make sure the product is handled properly. Disposing of product must be done in accordance with the local or national government law.

### Statistics of Contents of Toxic or Hazardous Substances or Elements

Part name	Toxic or Hazardous Substance or Elements					
	Lead (Pb)	Mercury (Hg)	Cadmium (Cd)	Hexavalent Chromium (Cr(VI))	Polybrominated biphenyls (PBB)	Polybrominated Diphenyl Ethers (PBDE)
Plastic Assy.	○	○	○	○	○	○
Control Assy.	×	○	○	○	○	○
PCBA Assy.	×	○	○	○	○	○
Motor Assy.	×	○	○	○	○	○
Wire Harness Assy.	○	○	○	○	○	○
Water Inlet Assy.	○	○	○	○	○	○
Wand Assy.	○	○	○	○	○	○
Heater Assy.	×	○	○	○	○	○
* Remote Assy.	×	○	○	○	○	○
* Battery	○	○	○	○	○	○
* Ceramic Assy.	○	○	○	○	○	○
* Water Tank Assy.	○	○	○	○	○	○

○ : Indicates that the substance in the material composition is below the high limits of the current requirements in GB/T 26572.

× : Indicates that at least one of the homogeneous substance in the material composition is below the high limits of the current requirements in GB/T 26572.

\* : Indicate only partial product series contains this substance.

Note: the information provided is based on the supplier data and Kohler inspection results. The product is designed not to hurt the environment. Under current technology, all hazardous materials have been used in the smallest amounts possible. Kohler will strive to reduce the use of these hazardous materials used in this product.



The product “service life for environment protection” is 10 years; Kohler Company will specify product service life based on product characteristics. The product “service life for environment protection” is only effective when the product is used as described in the product specification.

# 目录

安全注意事项 .....	27
规格 .....	29
感谢您选择科勒公司 .....	30
整机简图 .....	30
遥控器使用指南 .....	31
遥控器设置指南 .....	33
初次使用前准备 .....	35
开、关盖/ 开、关圈 .....	36
便器冲水 .....	37
辅助按键功能 .....	39
宽幅清洁模式 .....	39
待机模式 .....	39
UV除菌功能 .....	40
除菌水 .....	40
自动节能功能 .....	40
进水过滤 .....	40
除臭 .....	40
长时如厕提醒功能 .....	41
维护和清洗 .....	41
常见问题 .....	47
产品中有害物质含量的说明 .....	48

# 安全注意事项

## 保存这些说明



**警告：触电、火灾或人身伤害的危险。**本产品必须安全接地。只能连接到专用的220V~，50Hz，10A带接地故障断路器或接地漏电保护器的电路中。



**警告：触电或产品损伤的危险。**不要把产品浸入水中。任何拆机操作需确保拔下插头（带电源线机型）或扳下机内保护开关手柄（不带电源线机型）。



**警告：在安装本座便器时切勿使用任何凝胶材料（水泥砂浆）。**因为凝胶材料（水泥砂浆）的热膨胀可能使座便器的脚部挤破或损坏。科勒对所有因为凝胶材料（水泥砂浆）安装而引起的座便器破裂恕不负责。



**警告：提防损坏产品。**请不要向便器内冲入新闻纸、纸尿裤、妇用卫生巾等容易堵塞的物品。请不要用重力撞击陶瓷，以防止破损漏水。不要在0°C以下的环境中使用。

**重要！产品损伤的危险。**不要安装在水可能溅到的地方。

**重要！产品损伤的危险。**不要把产品安装在过分潮湿的地方，在这种地方，水汽可能凝聚在产品表面。请始终保持使用环境有足够的通风，以防止电子组件的损坏。

**重要！产品损坏或财产损失的危险。**硬推、硬拉水管接头可能造成水渗漏。

**重要！产品损坏的危险。**不要在喷嘴上施加过大的力，否则产品可能损坏。

**重要！产品损坏的危险。**在一些水可能在水管中结冰的地方，要做好水管保温的安排。任何留在产品里的水在冬天储存时都可能结冰。在重新安装或使用前请保证产品暖至室温。

**重要！产品损坏的危险。**在安装工作完成之前不要接通电源，这可能导致产品故障。

**重要！**固定布线中必须配有触电开距提供在过电压等级III条件下全断开的装置。

**注意：**温暖的气候时，热保护器在存储或运输过程中可能失灵，导致产品不工作。在重新安装或使用前请保证产品冷至室温。

当使用电器产品时，尤其当儿童在场时，应该遵守基本的安全防范，包括如下：

### 危险—降低触电的危险：

- 不要把此产品放置在可能掉落或可能被拉入浴缸及水槽的地方。
- 不要放置或掉到水及其他液体中。
- 仅限带电源线机型。

### 警告—避免低温灼伤、触电、火灾或人身损伤

- 当儿童、老年人、残疾人，以及身体、感知、智力能力缺陷或经验和常识缺乏的人使用或靠近此产品时，近距离的监护是必需的。儿童不应该被允许使用或接触此产品，不要让儿童独自待在安装有此产品的房间，儿童不应玩耍器具。
- 对于无法自己进行温度调节操作的儿童和老人，需要帮助将座便盖的圈温、冲水温度及风温调节到合适的档位。

## 安全注意事项（续）

- 仅按照手册中所描述的方式使用本产品，不要使用科勒不推荐的附件，如角阀等。
- 使用时请勿倚靠在盖板上，以免损坏产品。
- 如果有以下情况请不要使用本产品：电源线、插头及产品有损坏；产品不能正常工作；产品掉入水中（仅限带电源线机型）。
- 根据安装说明正确地安装本产品。
- 只有专业人士可以修理此产品。不要试图自己维修此产品，否则保修无效。
- 在安装本产品的同一房间中，需要在触手可及的位置安装一个止水阀，用于紧急情况下，无需借助工具即可切断本产品的进水水路；否则本产品的意外故障可能会导致用户损失。
- 使电源线远离加热表面。
- 不要把任何物品掉入或插入管路和开孔处。
- 不要在户外或者微粒喷雾设备正在被使用的地方使用本产品。也不要给氧的地方使用本产品。
- 在通电之前必须按照说明书中的要求接地。
- 防止将水淋到电源插头上（仅限带电源线机型）。
- 请避免长时间让裸露的皮肤接触加热座圈，以免低温灼伤。
- 如果电源线损坏，为了避免危险，必须由制造商、其维修部或类似部门的专业人员更换。
- 需要有资质的维修人员维修紫外线杀菌装置。
- 必须使用随器具附带的新软管组件，旧软管组件不能重复使用。
- 用户切断电源后，如须再次接通电源，请务必听到“滴，滴...”提示音结束后，再接通电源。

规格			
冲水用水量	平均3.3L、全冲3.8L、半冲3.0L		
水效等级*	3级		
使用坑距	地排水305/400mm, 墙排水 (见产品配置表)		
供水压力	最小进水压力0.07MPa (动压) 最大进水压力0.74MPa		
额定电压	220V~, 50Hz		
额定功率*	1080W		
最大瞬时功率	约1600W		
电源线长度	见产品配置表		
产品外型尺寸	约700mm x 418mm x 523mm		
产品重量	约46kg		
进水温度	1-35°C		
使用环境温度	1-40°C		
清洗	臀部冲洗	有, 档位可调	
	旋转冲洗	有, 档位可调	
	女性冲洗	有, 档位可调	
	出水流量 (水压0.2MPa时)	臀部冲洗最大档不小于500mL/min	
	清洗水温调节	关、五档可调 (室温、约31-39°C)	
	冲洗时间(最长)	约300s	
	喷嘴位置调节	5档	
	脉冲按摩	开/关	
	移动冲洗	开/关	
	安全装置	水温过热保护	温度保险丝
	逆流防止	单向阀	
舒适	座圈保温	温度调节	关、五档可调
		安全装置	温度保险丝
	盖板	自动开合、缓降、遥控开合	
	座圈	缓降、遥控开合	
	暖风	温度调节	开/关
		安全装置	温度保险丝
	除臭功能	有	
遥控器	有, 功能设置见33页		
卫生	喷嘴自清洗	有	
	抗菌材料	座圈	
	除菌水	有	
	UV除菌	有	
其它功能	其它安全装置	漏电保护器	
	进水过滤器	有	
	缸体清洁功能	有	
	辅助键盘	有	
	落座感应	位于座圈内部	
	夜灯	有	
	自动开关盖*	微波感应	
	手动冲洗	有	
	IoT功能	见产品配置表	
*智能座便器施加的水效标识的说明: 水效标识表示智能座便器水效等级等性能的一种符合性标志。 *功率值测试条件: 动压0.2MPa, 进水温度15°C。*自动开关盖不适用于中国香港市场。 以上参数为全功能版本, 具体型号的规格差异见产品配置表。			

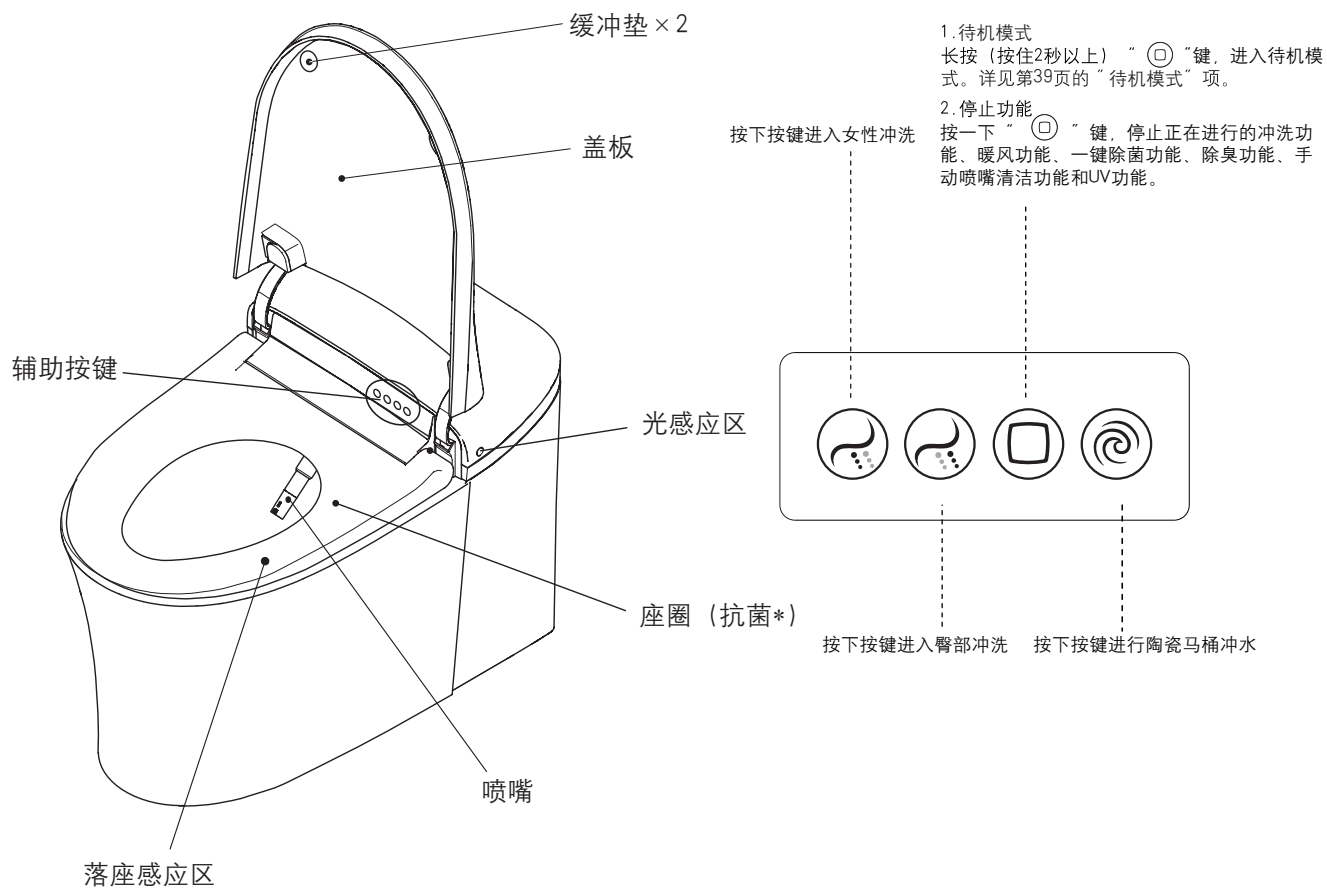
# 感谢您选择科勒公司

感谢您选择科勒。科勒技术提供了可靠性能和优雅生活的结合，满足了您未来几年的需求。科勒产品的美观和可靠性将满足您最挑剔的眼光。我们为我们科勒的产品感到非常地自豪，相信您也会。

请花几分钟阅读一下这本用户手册，特别注意维护和清洗说明。

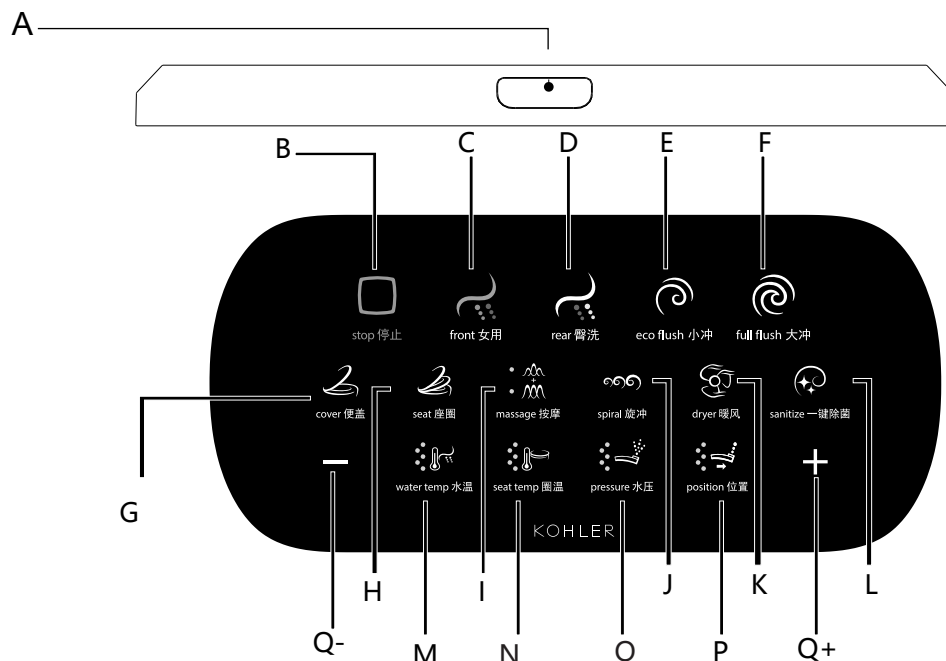
这本说明书中所有的信息基于最新公开的产品信息。在科勒，我们一贯坚持改善我们产品的质量。我们保留在任何时候不通知的情况下改变产品特性，包装或实用性的权利。

## 整体简图



\* 抗菌: 含无机抗菌材料的座圈长期抗细菌, 抑制产品表面的细菌生长, 这一加工处理不代表防霉等附带效果。抗菌率大于90% (依据GB21551.2-2010进行试验。测试机构: 中国家用电器检测所、上海出入境检验检疫局机电产品检测技术中心)

# 遥控器使用指南



**警告：** 为避免掉落的风险，请从充电座上取下遥控器再按开机键 (A)。

## A - 开机

- 按此键进行遥控器开机。开机后按此键可进行开、关屏切换。
- 开机后若未与座便器连接上，则第三排图标会闪烁，连接成功后停止闪烁，进入可使用状态。

## B - 停止

- 按此键可停止女性冲洗、臀部冲洗、暖风和除臭，手动清洁喷管、UV等功能。
- 长按此键关闭遥控器。

## C - 女性冲洗

- 落座后，按此键进入女性冲洗，约5分钟后自动停止或按停止键立即关闭。

## D - 臀部冲洗

- 落座后，按此键进入臀部冲洗，约5分钟后自动停止或按停止键立即关闭。

## E - 小水量冲水

- 按此键对座便器缸体进行小水量（小便）冲洗。

## F - 大水量冲水

- 按此键对座便器缸体进行大水量（大便）冲洗。

## G - 便盖开/关

- 离座状态下，可按此键进行开/关盖动作。

## H - 座圈开/关

- 离座状态下，可按此键进行开/关座圈动作。

## I - 脉冲移动

- 在开启女性冲洗或臀部冲洗后，按此键进入移动冲洗，再次按进入脉冲冲洗，第三次按移动/脉冲同时进行，第四次按退出该模式（相应功能启动时，图标左侧的灯亮）。

## J - 旋转冲洗

- 在进行臀部冲洗期间，按此键进行旋转水型冲洗，旋转冲洗图标闪动。再按退出旋转冲洗（或按“停止”键关闭）。

## K - 暖风

- 落座后，按此键开启暖风功能，约4分钟后自动停止或按停止键立即关闭。

## L - 一键除菌功能

- 按此键进行喷管和缸体全面清洁。（注：此功能运行时，圈/盖的开和关通过遥控器控制。用户落座时，无法使用该功能）

## M - 水温

- 在开启女性冲洗或臀部冲洗后，按此键再按+/-键（Q+/Q-）调节水温。

## N - 圈温

- 按此键调整圈温档位，按+/-键（Q+/Q-）调节座圈加热温度。

## O - 水压

- 在开启女性冲洗或臀部冲洗后，按此键再按+/-键（Q+/Q-）调节水压档位。

## P - 喷管移动


- 在开启女性冲洗或臀部冲洗后，按此键再按+/-键（Q+/Q-）调节喷管移动位置。

## Q - 参数调节按键Q+/Q-:

- 只有触发M/N/O/P功能时，才会激活“+/-”按键进行相应的参数调节。




## 低电压报警

注意：电压报警后请及时充电。

- 当  键闪烁时，表示遥控器内置电池电量将耗尽，需将遥控器放置在基座上充电；

## 配对

注意：配对操作只能在离座状态下进行。

- 座便器正常上电，按遥控器顶端开机键开机，当最下面一排图标长时间闪烁，即表示该遥控器需要与本体进行配对操作。
- 长按  键，当最下面一排图标快闪后开始进行本体端操作。
- 同时长按本体侧键盘的  键和  键，直到听到一声短鸣后放开按键。
- 看到遥控器最下面一排图标停止闪烁，表示配对成功。

## 遥控器与本机的通讯

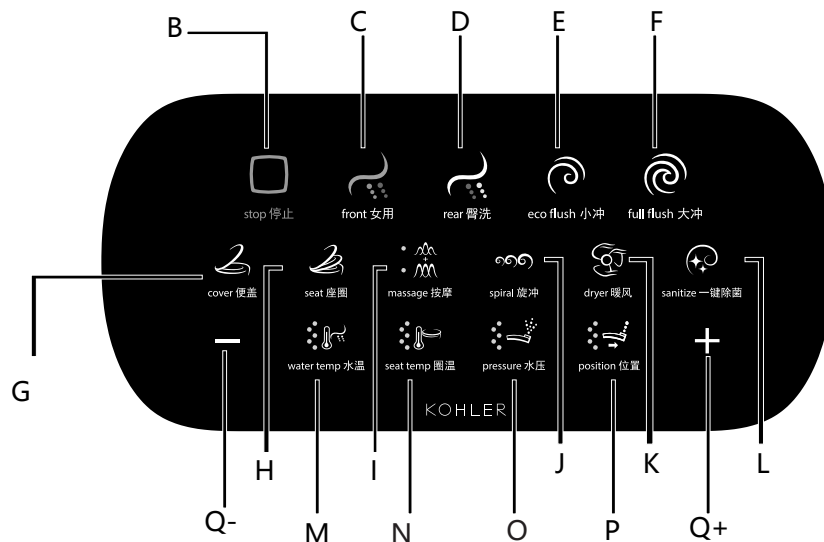
- 遥控器被移动离开感应区域，遥控器最下面一排图标会自动闪动（表示寻找主机信号），拿回主机附近后，如主机是通电正常工作状态，将自动连接信号，连接成功后停止闪动。

## 关机功能

- 任何时候长按  键，遥控器进入关机状态。



# 遥控器设置指南



按住本体侧键盘 $\text{\textcircled{R}}$ 键，直到听到一声短音，同时夜灯闪烁三次后，松开按键，随后可按照以下D/F/G/H/J/L/N变更设置。

## D - 臀部冲洗…除臭功能设置

- 长按此键进行开启、关闭除臭功能切换。
  1. 夜灯快闪一次开启除臭功能（短音）。
  2. 夜灯慢闪一次关闭除臭功能（长音）。

## F - 大冲…自动冲水设置

- 长按此键关闭自动冲水功能，再次长按可恢复自动冲水。
  1. 夜灯快闪一次开启自动冲水功能（短音）。
  2. 夜灯慢闪一次关闭自动冲水功能（长音）。

## G - 便盖开/关…感应距离的设置 (不适用于中国香港市场)

- 长按进行自动翻盖感应距离设置：
  1. 夜灯快闪一次为近距（短音）。
  2. 夜灯快闪二次为中距（短音）。
  3. 夜灯快闪三次为远距（短音）。
  4. 夜灯慢闪一次则关闭自动翻盖功能（长音）。

## H - 222 A $\text{\textcircled{R}}$

- 长按进行长时如厕提醒功能设置。
  1. 夜灯快闪一次（短音），长时如厕提醒功能开启。
  2. 夜灯慢闪一次（长音），长时如厕提醒功能关闭。

## J - 旋转冲洗…夜灯功能设置

- 长按进行夜灯功能的设置。
  1. 短音，夜灯功能开启。
  2. 长音，夜灯功能关闭。

## L - 一键除菌…UV自动杀菌设置

- 长按可设置紫外线自动杀菌的开/关状态。
  1. 夜灯快闪一次开启紫外线自动杀菌功能（短音）。
  2. 夜灯慢闪一次关闭紫外线自动杀菌功能（长音）。

## N - 圈温…节能设置

- 长按圈温键打开节能功能，再次长按关闭该功能。
  1. 夜灯快闪一次开启节能功能（短音）。
  2. 夜灯慢闪一次关闭节能功能（长音）。

一定时间不进行E/F/G/H/J/L/N设置变更后，下次变更前需要重新用按住本体侧键盘 $\text{\textcircled{R}}$ 键，直到听到一声短音，同时夜灯闪烁三次。

## P - 位置…喷管清洁设置

- 离座状态下，长按此键启动手动清洁喷管功能，喷管伸出，可对喷头进行手动清洗，再次长按此键或按停止键停止该功能。

## 遥控器电池的使用及更换

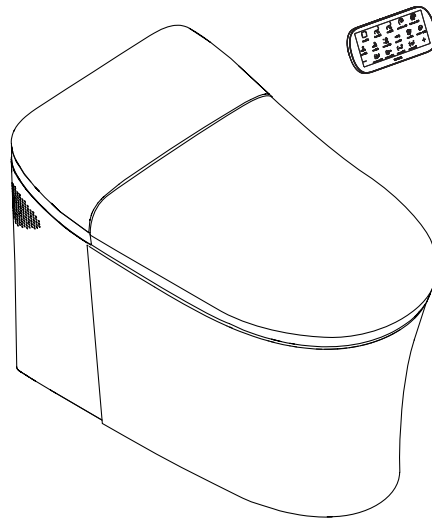
- 遥控器充电座使用4节5号碱性电池。
- 当电量不够时，充电座红灯闪烁或亮，提示用户需要更换电池。
- 注意：
  1. 电池的正负极必须与遥控器上的标记一致。
  2. 新旧电池不能混用。
  3. 请使用碱性电池。



## 其他

- 请勿将遥控器放在液体可能直接喷淋到的地方，或浸泡在液体中。
- 请勿放置在烘手机、电吹风等小型家电的周围，以免干扰遥控器的正常使用。
- 请勿对遥控器的按键区域频繁、剧烈地施加外力。
- 遥控器使用完毕后，应放回墙上的遥控器支架。
- 在使用过程中，避免遥控器跌落。
- 防遗失功能：遥控器可通过螺丝与底座锁定，具体方法参见安装说明书。

## 初次使用前准备



- 确认进水阀是否已打开。
- 确认”遥控器“内已正确装入电池。
- 确认产品正前方没有障碍物。
- 等待主机完成自检。期间可听到电机的转动声和流水声，均属正常。当夜灯闪烁时，自检进行中，停止闪烁，自检结束。
- 初次使用时为出厂设置状态：

女性冲洗：	圈温：中档
• 水温：中档	夜灯：开
• 水流强度：中档	节能模式：关
• 冲洗位置：中档	自动翻盖功能*：开
臀部冲洗：	自动冲水功能：开
• 水温：中档	自动UV功能：开
• 水流强度：中档	自动除菌功能：开
• 冲洗位置：中档	待机模式：关
旋转冲洗：	长时如厕提醒功能：关
• 除臭功能：开	

以上设置为全功能版本，具体型号的规格差异见产品配置表。

自动翻盖功能不适用于香港市场。

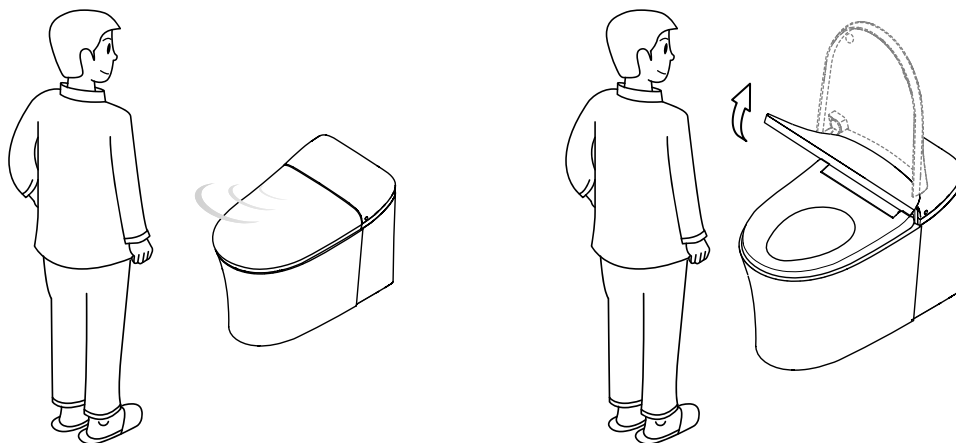
# 便盖/座圈开关功能

## A 便盖开/关


- 自动开、关盖 \*不适用于中国香港市场

关盖状态下，当用户进入感应区域时，盖板自动打开。

开盖状态下，当用户离开感应区域后，一段时间后自动关闭。



- 遥控器开、关盖

用户没有落座时，按下遥控器上的盖开/关键，则执行相应的开合功能(详见遥控器按钮简图)。用户落座时，按遥控器的  按键无效。

- 手动开、关盖

用户可以用手直接开、关盖。当用户有正常手动开、关盖的趋势时，盖子能够根据这个运动趋势而自动打开或关闭，不需要一直在盖板上保持用力。盖板在运动过程中遇阻碍会自动停下。


注意：

1. 当用户缓慢进入感应区域时，开、关盖感应距离可能变短。如仍无反应，请使用遥控器或手动开、关盖。
2. 只有在遥控器中的“开/关盖设置”设置为“开”时，自动开、关盖功能才有效（设置方法见第33页）。
3. 避免在座便器前端40cm内设置可移动的障碍物，若有可移动的障碍物，盖板可能会自动打开；若需要取消“自动开、关盖”功能，请见33页。
4. 当便盖打开时，会自动对座便器喷洒水雾，使污垢不易粘附。



## B 座圈开/关

- 遥控器开、关圈

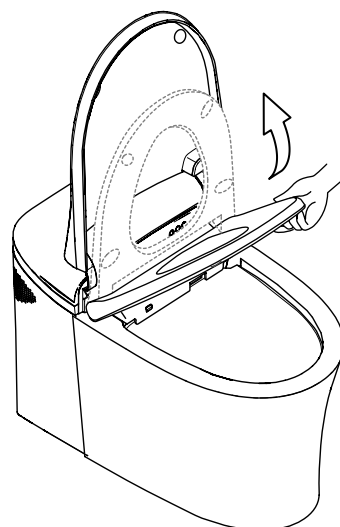
用户没有落座时，按下遥控器上的圈开/关键，则执行相应的开合功能(详见遥控器按钮简图)。用户落座时，按遥控器的  按键无效。

## • 手动翻圈

用户可以用手直接开、关圈。当用户正常手动开、关圈时，座圈能够根据这个运动趋势而自动打开或关闭，不需要一直在座圈上保持用力。座圈在运动过程中遇阻碍会自动停下。

注：

在盖板及座圈自动开合过程中，严禁强行、大幅度用力等人为因素干扰盖板及座圈的开合。

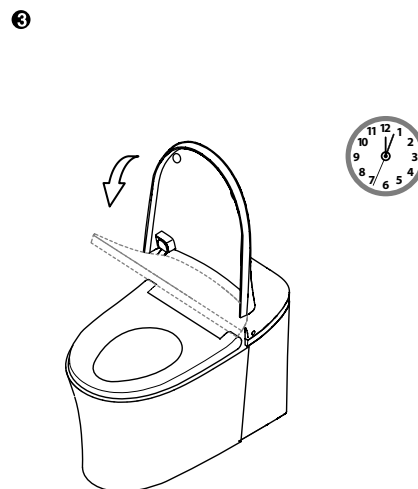


## 便器冲水

### A. 自动冲水功能的使用

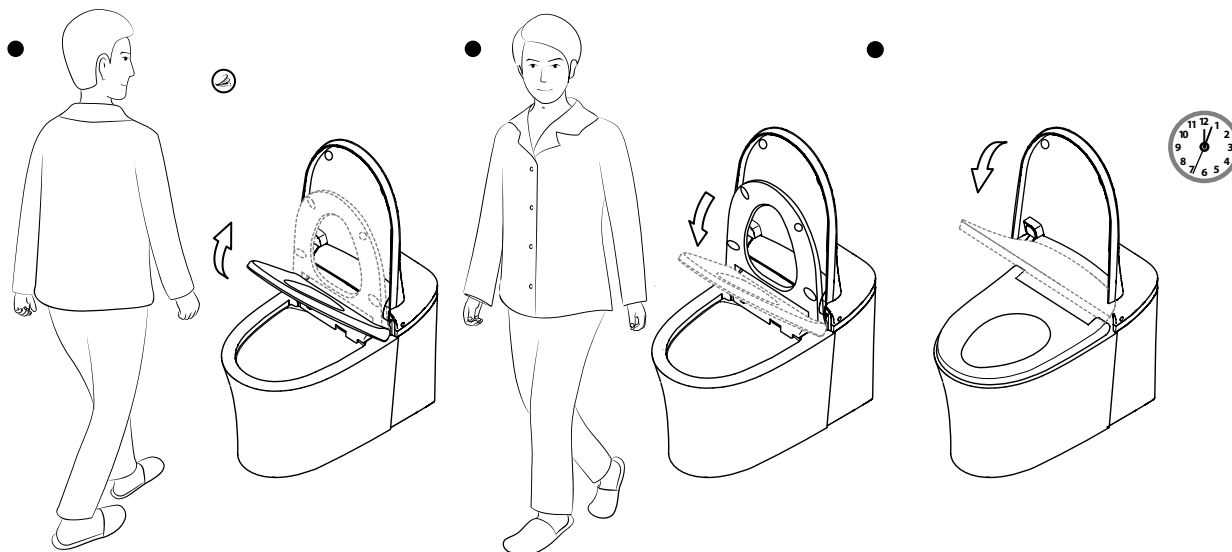
#### a) 使用座圈情况

盖板打开状态下，用户落座使用，当离开座圈一定时间后，便器自动冲水，一段时间后自动关闭。



## b) 男士小便情况

开盖状态下，用户手动或者使用遥控器翻起座圈，使用后，座便器自动冲水，一段时间后，盖板、座圈自动关闭。



注：

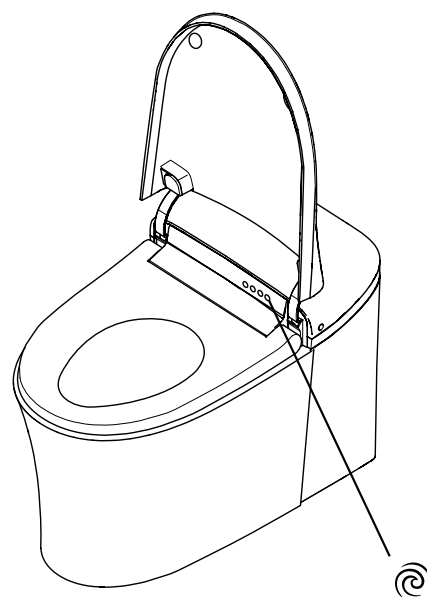
1. 如果自动冲水功能关闭，用户可以用遥控器控制冲水，或手动按键冲水，或手工用盆冲水。
2. 只有在遥控器中的“冲水设置”设置为“开”时，自动冲水功能才有效（设置方法见第33页）。

## B. 遥控器控制冲水

用户通过按遥控器上的大/小水量冲水键，执行座便器大/小水量的冲水功能。

## C. 紧急冲水

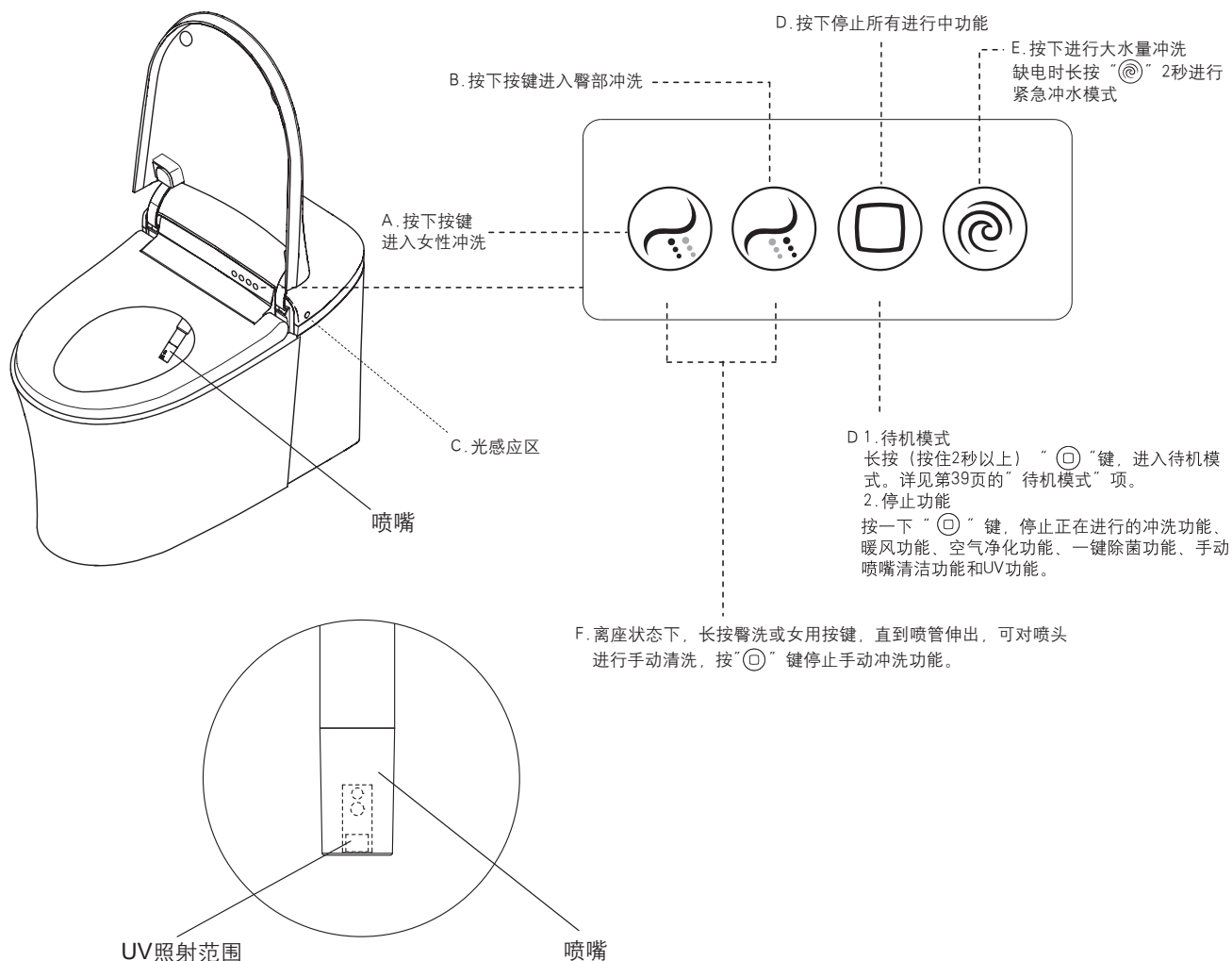
1. 当停电时，可长按辅助按键“⊗”进行冲水。



\* 便器每次冲洗完成后，都会有少量清洁水滴入缸体内，这是正常清洁过程。

2. 手工用盆冲水

## 辅助按键功能



### 注：

1. 各功能均按出厂设置运行。
2. 在使用女性冲洗/臀部冲洗功能时，开启相应功能，5分钟后自动关闭。
3. 使用“⊖”键，可以关闭女性冲洗/臀部冲洗/暖风功能。
4. 使用“@”键，缸体冲水。

## 宽幅清洁模式

本机附带宽幅清洁功能，如想使用宽幅清洁，请在启动臀部+移动冲洗前长按辅助键盘上的臀洗+停止键约2秒，开启宽幅冲洗模式。

## 待机模式

1. 长按辅助按键上的“⊖”键（2秒以上），听到“嘀”一声后，进入待机模式。此时，自动感应及遥控功能关闭，IoT功能也关闭（带IoT功能机型），顶部指示灯灭。座圈加热功能将停止，以最大限度降低能耗。
2. 当按侧键盘任意键或落座后，自动退出待机模式，所有功能恢复。

## UV除菌功能\*

1. UV功能是使用紫外线对喷管进行消毒。
2. 自动UV除菌
  - 如果长时间无人使用，将自动启动UV除菌功能，对喷管进行除菌。除菌结束后24小时之内不会再次启动该功能。
  - UV除菌过程中，如果有用户打开盖子落座使用座便器，或者按下遥控器上的停止键，UV除菌功能将停止。
  - 自动UV除菌功能设置请参见第33页。
3. 手动UV除菌
  - 在无落座的情况下，按遥控器“一键除菌”按键，可以激活UV除菌功能（详见遥控器使用说明）。
  - UV除菌过程中，如果有用户来打开盖子落座使用座便器，或者按下遥控器上的停止键，UV除菌功能将停止。

\* UV除菌（是指UV灯产生紫外线除菌）：在UV工作周期内通过照射对喷嘴表面进行除菌。除菌率大于99%（在UV的一个工作周期后于18mm×8mm的照射区域内依据GB/T 23131进行试验，UV照射区域见示意图，UV工作周期开启方式见操作说明。测试机构：中国家用电器检测所）

## 除菌水\*

1. 除菌水对喷头进行除菌功能。
  - 用户在使用过女性冲洗、臀部冲洗或旋转冲洗等功能，停止过程中，座便器将启动除菌功能。
2. 手动除菌功能。
  - 在无落座状态下，按遥控器“一键除菌”按键，可以激活喷头除菌功能/缸体清洁功能（详见遥控器使用说明）

\* 除菌水（是指水电解装置电离自来水中的氯离子生成含次氯酸的水）：在电解水工作周期内产生的除菌水对喷嘴表面进行除菌。除菌率大于96%（在自来水中氯离子含量大于24ppm时依据GB/T 23131进行试验，各地水质不同可能导致除菌效果不同，电解水工作周期开启方式见操作说明。测试机构：中国家用电器检测所）

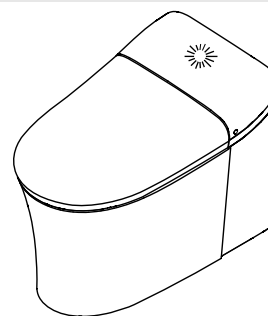
## 自动节能功能

1. 在节能设置为开的情况下，产品会自动检测到使用频率低的时间段，并将便座加热温度下降以达到节电的目的。
2. 自动节能设置参见第33页。

## 进水过滤

产品臀部冲洗/旋转冲洗/女性冲洗的使用水都经过净化处理。

1. 滤芯快到期时，橙灯常亮。（如图）
2. 滤芯已到期，需要更换时，橙灯闪烁。
3. 滤芯没有安装到位时，会有橙白灯交替闪烁。
4. 如何更换滤芯，参见第42页。



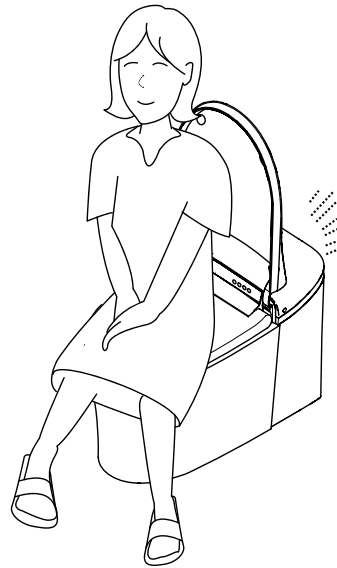
## 除臭

1. 产品出厂设置为感应到有人座在座圈上时，自动开启除臭功能。
2. 如何切换开/关自动除臭功能详见遥控器设置部分。



## 长时如厕提醒功能

如果用户长时间落座使用座便器，超过一段时间后，系统通过蜂鸣器提醒用户。  
如何切换开关到长时提醒功能，详见遥控器设置部分。



## 维护和清洗

### A. 常规清洗

为了达到最好的效果，在维护您的科勒产品时记住下列几条：

**重要！不要用水直接冲洗座便盖（包括遥控器）**

- 测试-首先用清洗液在座便盖不显眼的地方测试，如果确认清洗液不会对座便盖外表造成损坏然后再应用于整个表面。
- 不要让清洁剂浸泡-不要让清洁剂浸泡产品。
- 不可使用表面粗糙的材料—使用柔软、潮湿的海绵或棉质布，不要用表面粗糙的材料来清洗表面，诸如刷子、冲刷垫等。
- 擦洗-加上清洁剂后，立即用湿布擦洗表面，擦除喷到表面的清洁剂和脏物。



### 清洗座圈

- 在用于清洗的气雾罐中避免使用具有研磨的清洁剂和消毒剂。

**维护提示：**用洗涤剂和水混合液体或任何列为可用于座圈清洁的产品清洗座圈，用柔软湿润的海绵或者布。用软毛巾擦干，在空气中让座圈自然干燥。

- 不允许带腐蚀的化学品或化妆品（诸如指甲油或须后水）和座圈接触，避免破坏表面。

### 清洗不锈钢外观件

- 以中性肥皂水清洗表面，再以干净的软布彻底擦干整个表面。许多清洁剂，比如氨水、去污粉及洁厕灵等，会对表面造成伤害，切忌使用。

注意：不遵守这些清洗说明可能使科勒的保修义务无效。

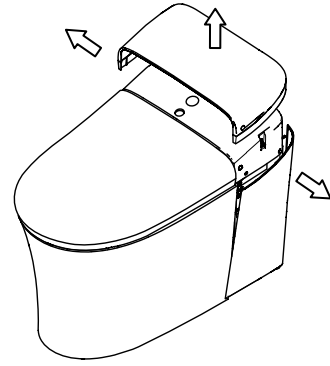
注意：清洗程序的成功取决于诸如水的硬度和温度，使用成分的精确数量，清洗规则的改变和被清洗产品的状态等因素。因为这些因素会有变化，科勒不能保证所提到的规则的有效性。

注意：清洁翻起的圈盖时，不能使大力，以免损坏产品。

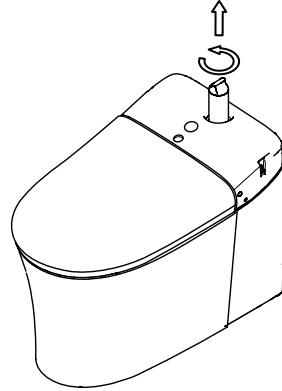
## B. 净化水滤芯的更换

### 1、打开整机外壳

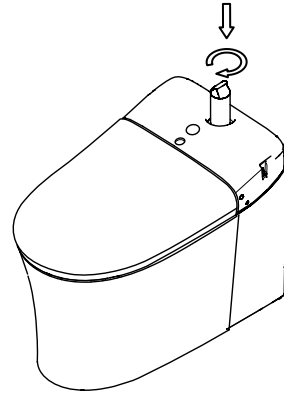
借助工具(提供)轻轻向外打开整机外壳后向上取下外壳。  
从两侧将整机外壳盖向外扳，并向上拉出。



### 2、按图示方向旋出旧滤芯。



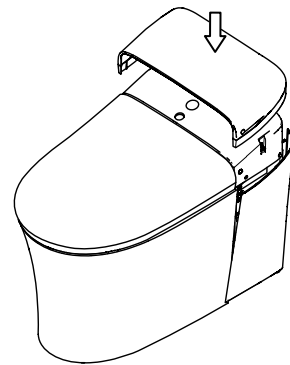
### 3、按图示方向略向下施加压力，旋紧新的滤芯。



### 4、系统会自动解除报警，回到正常使用状态。

### 5、重新合上外壳

直接用手将外壳向下按下，两侧及前方的卡扣到位后，  
没有松动，即完成安装。



注：i 更换滤芯时，系统不能断电，不然系统无法解除警报。

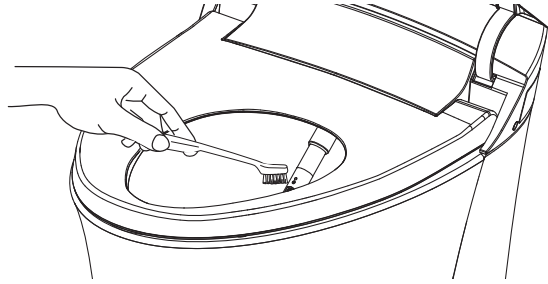
ii 如果是断电情况下更换滤芯，请在座便器通电正常使用后重新插拔一次滤芯，即可解除警报。

iii 更换过程中滤芯会有少量水流出。

## C. 喷嘴的清洗

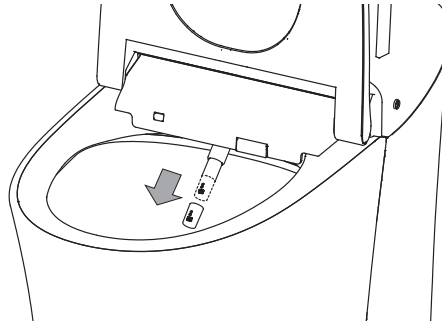
用户使用软毛刷清洁臀部/女性喷嘴的方法：

- 在离座状态下，长按“遥控器”上的“移动冲洗”按键2秒钟以上，或长按侧键盘的前冲或后冲键，喷管会伸出。
- 用户可以使用软毛刷沾水对喷嘴进行清洗。
- 再按一次上述按键之一或遥控器上的停止键，喷管缩回，或两分钟后喷管自动缩回。

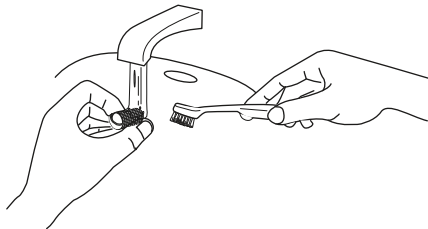


用户拆除喷头的清洗方法：

- 在离座状态下，长按“遥控器”上的“移动冲洗”按键2秒钟以上，或长按侧键盘的前冲或后冲键，喷管会伸出。
- 在两分钟之内关掉马桶电源。
- 沿图示箭头方向拔掉喷嘴。



- 将喷嘴浸没在除垢剂溶液中2个小时。
- 用软毛刷清洗干净。



- 按拆除方向把喷嘴装回到初始位置。
- 上电检查喷管冲洗功能。

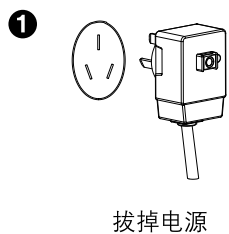
## D. 滤网的清洗或更换

用户发现冲洗水量变小或出现不出水现象，请及时清洗或更换滤网。

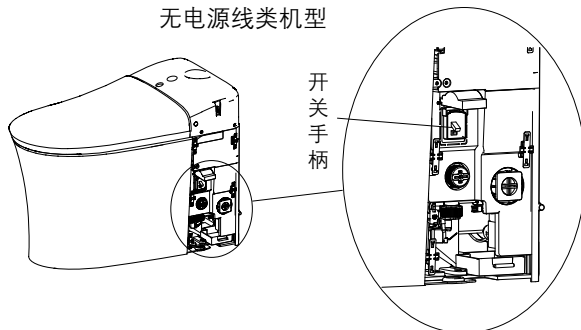
### 滤网清洗

- 拔掉电源，关闭止水阀（带电源线类机型）。
- 将自动保护开关手柄扳下（无电源线类机型）。

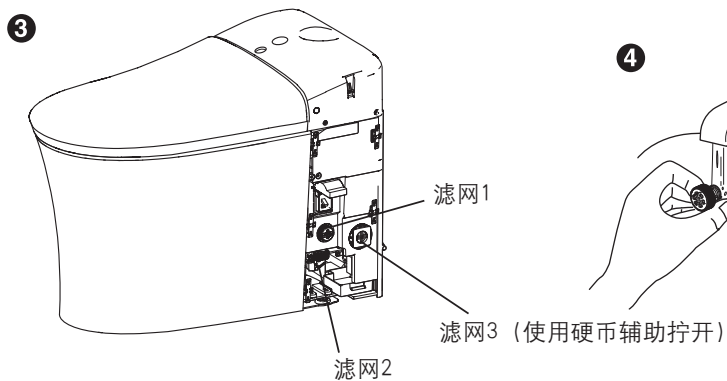
带电源线类机型



无电源线类机型



- 取出滤网，清洗滤网。



- 重新装好滤网，打开止水阀。
- 检查连接处，无任何水渗漏后，插上电源/或扳上开关手柄。

更换滤网步骤同上。

注：

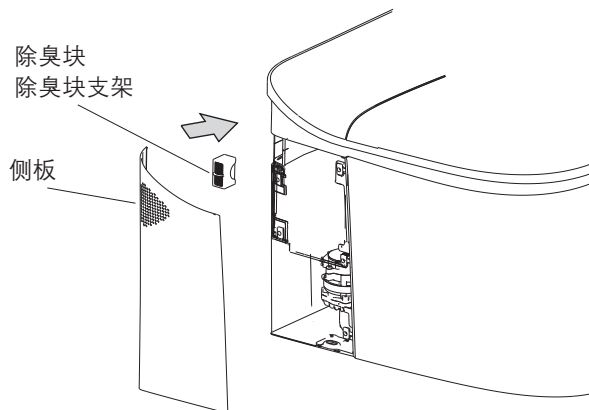
如果发现滤网已损坏或者堵塞很严重，请及时更换。

## E. 更换除臭块

当发现除臭效果不明显，感觉有异味时，请及时更换除臭块。

- 移开产品侧板，取出除臭块支架。
- 用手指夹住除臭块，把除臭块从除臭块支架中取出。
- 重新将新的除臭块装入除臭块支架，再将除臭块支架放入产品。
- 重新装上产品侧板。

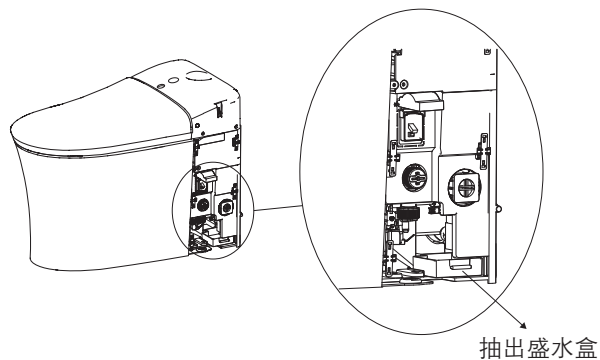
**注意！** 取出除臭块后，请勿将手和其它物体伸入除臭块容纳腔内，以防损坏风机和其它部件。



扫码查看替换装，型号：22761T-NA。

## F. 盛水盒倒水

- 机器工作时，可能会有少许水流入盛水盒，请经常检查并倒掉盒中水，然后将盒子装回去。
- 更换净化水滤芯时会有少量水流入盛水盒，请倒掉盒中水，然后将盒子装回去。

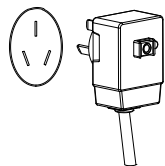


## G. 长期放置不用时的维护

a) 如果准备长期不使用智能座便盖，务必排尽座便盖内部管路中的积水：

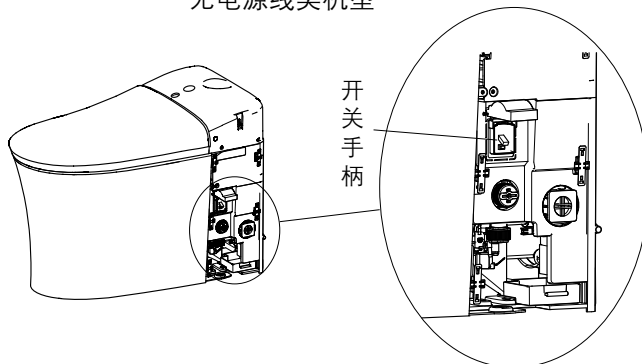
- 拔掉电源，关闭角阀，用手压住排水按钮，排空加热管内的积水（带电源线类机型）。
- 将自动保护开关手柄扳下，用手压住排水按钮，排空加热管内的积水（无电源线类机型）。

带电源线类机型

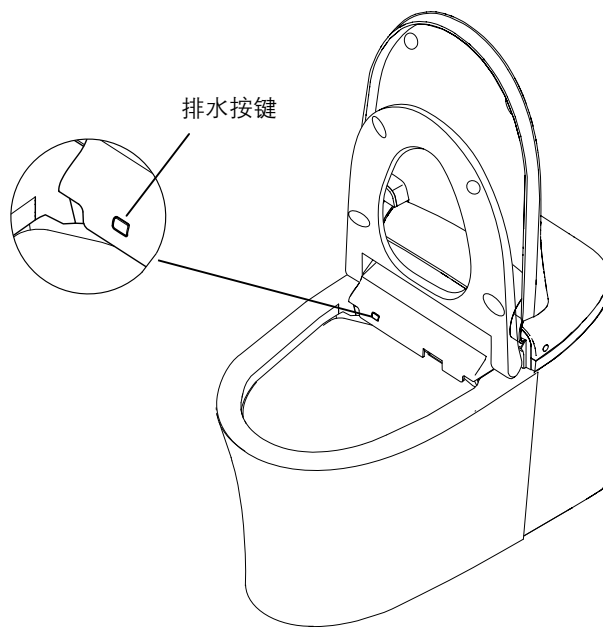


拔掉电源

无电源线类机型



开关手柄



排水按键

注：

1. 如果没有排尽积水而又长时间不使用该产品，残留水冬天容易冻结夏天容易变质。
  2. 冬天发现家中的供水管道已经冻结，不要马上使用智能座便器，可以升高室内的温度，等待其自然解冻后再使用。
  3. 冬天当温度可能超出正常的工作温度，且水管有结冰的风险时，请关闭角阀，并对让马桶进行一次空冲/或是进行放水。
  4. 长期不用后再次使用时，请关闭角阀，然后按压一次冲洗。
  5. 长期不用后再次使用时，请务必多进行几次冲洗，确保内部管路清洗干净。
  6. 长期不使用取出遥控器充电座中的电池。
- b) 长期放置不用时，可能会由于马桶里面水分挥发完毕后，下水道的气体溢出导致塑料件变黄风险，打开上盖或往马桶里面加水可有效避免该问题。

# 常见问题

本指南仅作一般帮助之用。科勒公司授权的服务代表或者合格电工应当能够解决所有的电气问题。如需了解担保服务，请联系您当地的经销商或批发商。

现象	可能原因	建议措施
1. 座便器不工作	A. 停电 B. 插头未插或者插座无电 C. 电源线插头上漏电保护开关未复位 D. 产品处于待机状态 E. 座便器侧面开关	A. 等到电力恢复 B. 插上插头或者检测电源插座 C. 按下插头上的复位按钮 D. 按一下辅助键盘“⊙”按键 E. 打开座便器开关
2. 座便器不冲水	A. 停水 B. 供水角阀关闭 C. 停电  D. 产品处于待机状态 E. 清洗功能正在使用中 F. 自动冲水功能被禁止	A. 等到恢复供水 B. 打开供水角阀 C. 等待恢复电力或者查看“手动冲洗”部分进行手动冲洗或者用盆盛水冲洗。 D. 按一下辅助键盘“⊙”按键 E. 待清洗功能完成再进行 F. 查看“遥控器设置指南”部分
3. 座便器冲不干净	A. 过滤网阻塞 B. 供水水压不足	A. 查看“清洗过滤网”部分 B. 检查角阀是否全部打开，如未全部打开，请打开 C. 检查进水软管是否折弯过急，如折弯过急，请调整软管
4. 清洗功能无法正常使用	A. 停水 B. 供水角阀关闭或者未完全打开 C. 产品处于待机状态 D. 没有入座或者当前坐姿无法使座圈感应到 E. 过滤网阻塞 F. 供水水压不足 G. 净化水滤芯未正确安装	A. 等到恢复供水 B. 完全打开供水角阀 C. 按一下辅助键盘“⊙”按键 D. 请入座或者调整坐姿 E. 查看“清洗过滤网”部分 F. 检查进水软管是否折弯过急，如折弯过急，请调整软管 G. 正确安装滤芯（参见第42页）
5. 使用过程中冲洗功能停止工作	A. 连续冲洗5分钟后冲洗功能自动停止 B. 座圈未感应到人体	A. 如需要，请再次按下冲洗按键 B. 变换坐姿或者重新入座
6. 人体未入座时也能使用清洗功能	A. 座圈上有异物覆盖或者座圈是湿的	A. 移除异物或者擦干座圈
7. 使用过程中暖风风机停止工作	A. 连续使用暖风功能4分钟，风机自动停止 B. 座圈未感应到人体	A. 如需要，请再次按下暖风按键 B. 变换坐姿或者重新入座
8. 除臭风机不工作	A. 座圈未感应到人体 B. 使用过程中误按停止键 C. 自动除臭功能被禁止	A. 变换坐姿或者重新入座 B. 如需要，请离座2秒后重新入座 C. 查看“遥控器设置指南”部分
9. 不能开盖	A. 座圈上有异物覆盖或者座圈是湿的 B. 便盖在先前开关过程中受到人为干扰	A. 移除异物或者擦干座圈 B. 使用遥控器开关便盖或手动打开便盖直至正常，便盖开关过程中不阻挡其开关
10. 不能自动开盖 (不适用于中国香港市场)	A. 用户没有进入或离开感应区域 B. 遥控器“自动翻盖”功能被关闭 C. 座便器正在冲水中	A. 请进入或离开感应区域 B. 查看“遥控器设置指南”部分 C. 等待座便器冲水结束
11. 夜灯不亮	A. 夜灯功能被关闭 B. 室内光线太亮	A. 查看“遥控器使用指南”中的夜灯部分来打开夜灯功能 B. 请完全遮挡住感光窗口
12. 紫外线杀菌不工作	A. 有人坐在座便器上 B. 座圈上有异物覆盖或者座圈是湿的	A. 请离座后关闭盖子再重新开启紫外线杀菌及关闭座便器 B. 移除异物或者擦干座圈
13. 遥控器无显示	A. 电池电量耗尽 B. 电池极性装反 C. 遥控器未被唤醒	A. 更换新电池 B. 重新正确安装 C. 触摸遥控器屏幕 靠近座便器或落座 按遥控器唤醒键
14. 遥控器无法遥控座便器	A. 电池电量不足 B. 遥控器离座便器太远 C. 座便器本机没有上电 D. 座便器本体处于待机状态 E. 座便器与遥控器未连接	A. 查看“遥控器电池的使用及更换”部分来更换电池 B. 查看“遥控器与本机的通讯”部分并靠近座便器 C. 请给本体上电 D. 按一下辅助键盘“⊙”按键 E. 查看“遥控器与本机的通讯”部分，连接座便器与遥控器
15. 座圈不热。	A. 遥控器的圈温设置太低 B. 座便器处于待机模式	A. 将圈温设置到合适档位 B. 按一下辅助键盘“⊙”键

## 产品中有害物质含量的说明

### 回收提示

本产品超过使用期限或经过维修无法正常使用后，不应随意丢弃，请交由有废弃电器电子产品处理资质的企业处理，正确的处理方法请查阅国家或当地有关废旧电器电子产品处理的规定。

有害物质统计表

名称	有害物质名称					
	铅 (Pb)	汞 (Hg)	镉 (Cd)	六价铬 (Cr(VI))	多溴联苯 (PBB)	多溴二苯醚 (PBDE)
塑料组件	○	○	○	○	○	○
控制类组件	×	○	○	○	○	○
PCBA组件	×	○	○	○	○	○
电机类组件	×	○	○	○	○	○
导线类组件	○	○	○	○	○	○
进水组件	○	○	○	○	○	○
喷管组件	○	○	○	○	○	○
加热组件	×	○	○	○	○	○
* 遥控器组件	×	○	○	○	○	○
* 电池	○	○	○	○	○	○
* 陶瓷类组件	○	○	○	○	○	○
* 水箱组件	○	○	○	○	○	○

○：表示该有害物质在该部件所有均质材料中的含量均在GB/T 26572现行有效版本规定的限量要求以下。

×：表示有害物质至少在该部件的某一均质材料中的含量超出GB/T 26572现行有效版本规定的限量要求。

\*：表示部分机型含有该部件。

注：本表格提供的信息是基于供应商提供的数据及科勒公司的检测结果。本产品应用环保设计理念，在当前技术水平下，所有有害物质或元素的使用已经控制到了最低程度，科勒公司会继续努力通过改善现有技术来减少这些物质的使用。



本产品的“环保使用期限”为10年，科勒公司根据产品设计特性指定该期限。只有在本产品使用说明书所述的正常情况下使用本产品时，“环保使用期限”才有效。