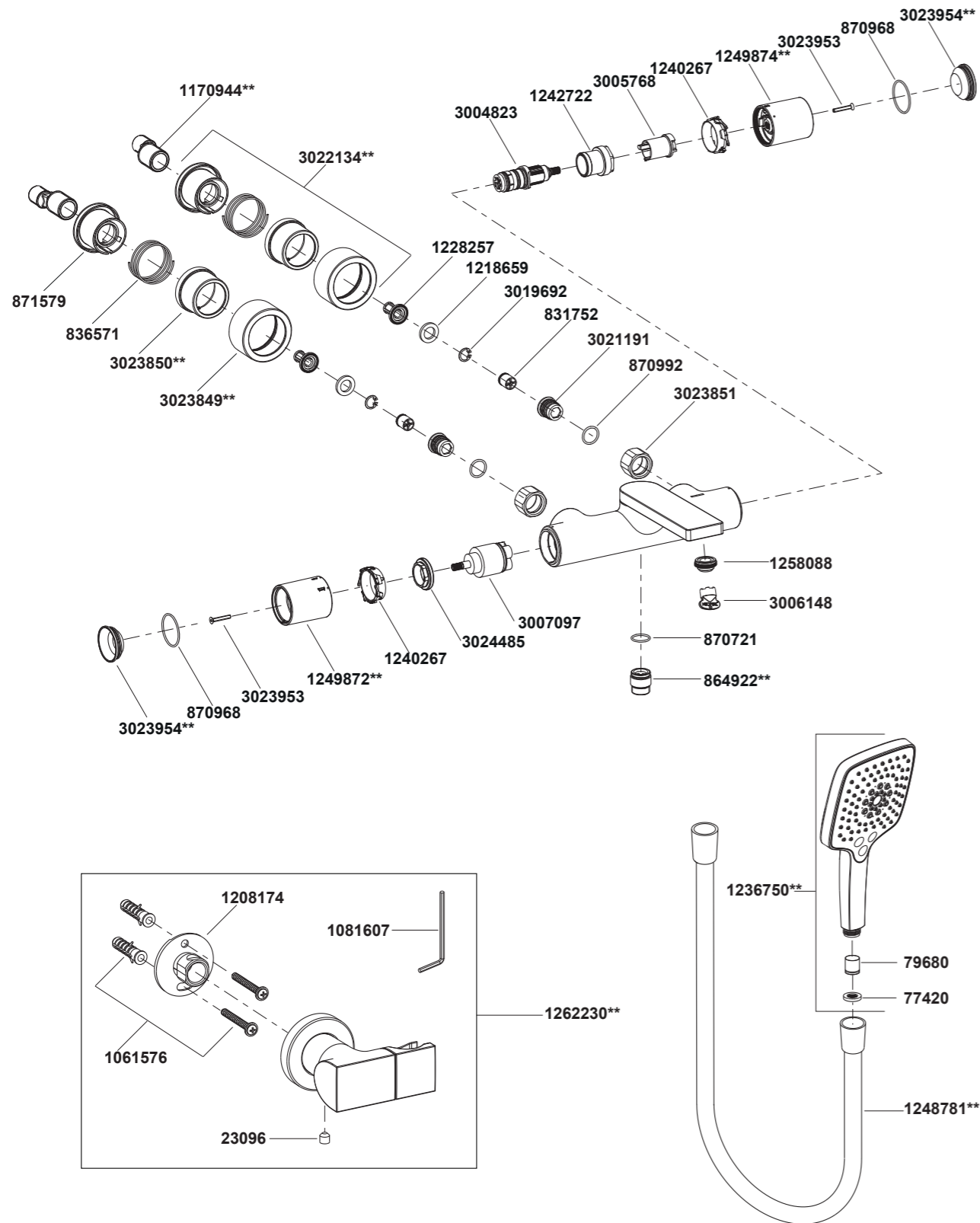


73110T-7 Wall-mount Bath/Shower Thermostatic Faucet



\*\*Color code must be specified when ordering.

73164T-7 Wall-mount Shower Thermostatic Faucet  
73110T-7 Wall-mount Bath/Shower Thermostatic Faucet

**BEFORE YOU BEGIN**

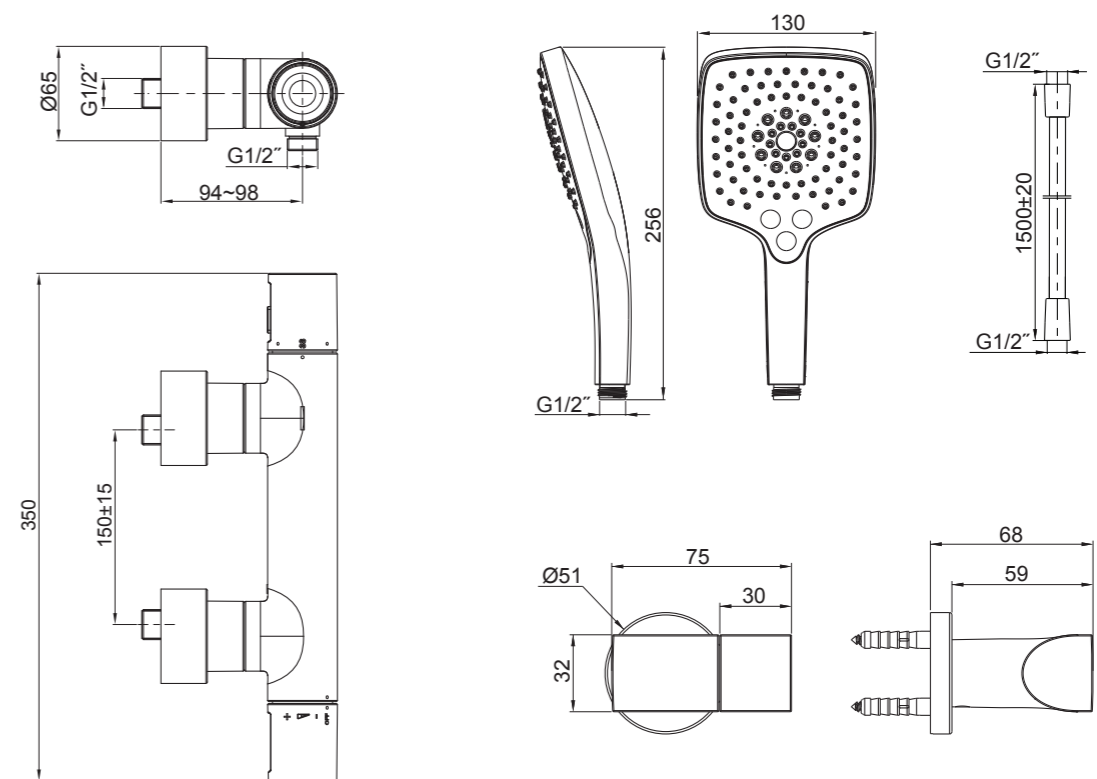
All information is based on the latest product information available at the time of publication. Kohler Co. reserves the right to make changes in product characteristics, packaging, or availability at any time without notice.

Please leave these instructions for the consumer. They contain important information.

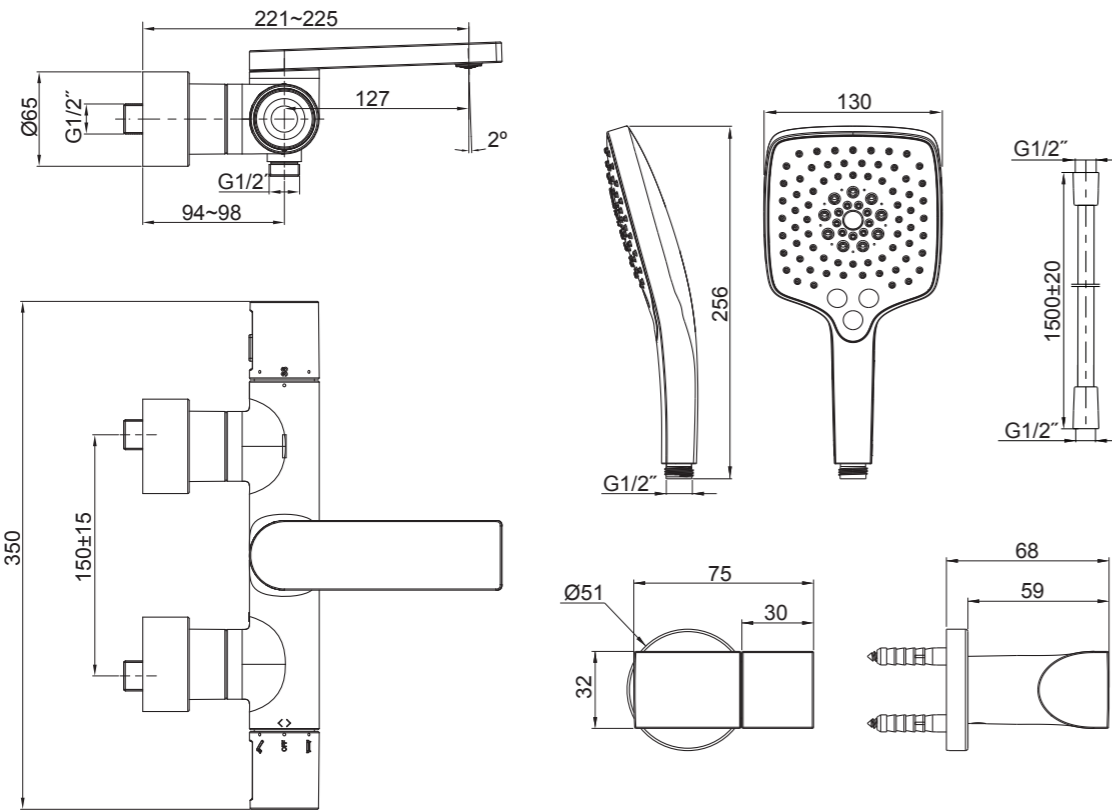
**OPERATION CONDITION**

1. Minimum supply pressures: 0.05MPa(0.5bar).
2. Recommended supply static pressures: 0.3MPa(3bar) on hot and cold water.
3. Supply pressure greater than 0.5MPa(5bar): install a pressure reducer.
4. Hot water temperatures, minimum: 50°C, maximum:80°C.
5. Recommended hot water temperature: 65°C(energy-saving).
6. Setting range, approximately: 20°C to 49°C.
7. Safety stop at: 38°C.
8. Maximum mixed water temperature: 49°C.
9. The highest environment temperature for handshower & showerhead is 60°C. Please keep handshower, showerhead and the shower arm away from heater, or it may become damaged and cause injury to the user.

**ROUGH-IN DIMENSIONS**

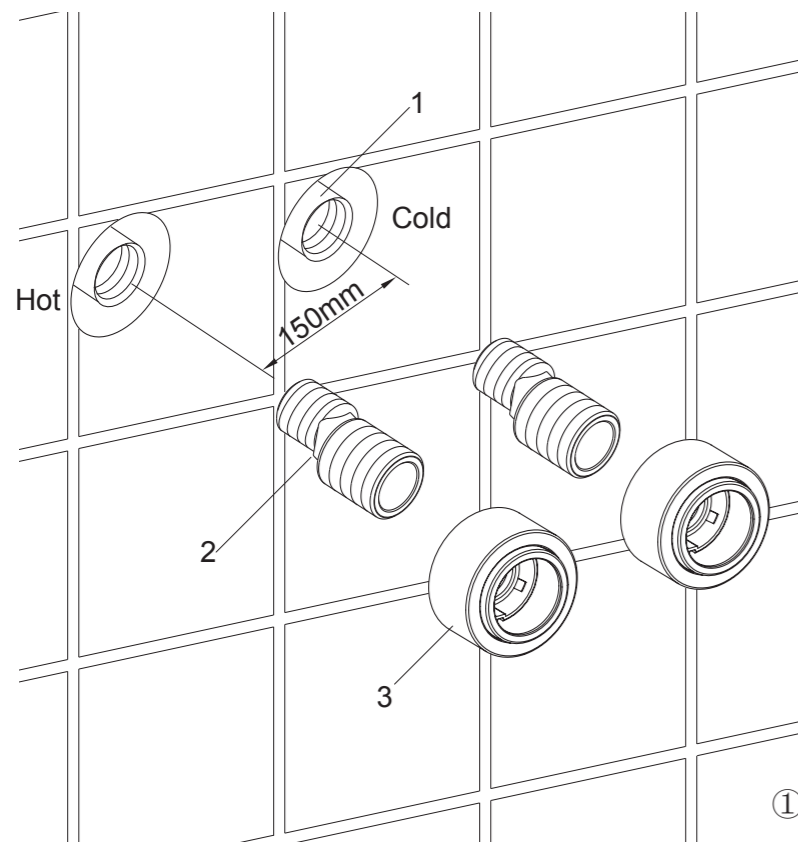


73164T-7



73110T-7

**INSTALLATION**



**How to Install the Faucet**

To perform installation, installer must provide G1/2" female supply fittings(1), spaced 150mm apart, horizontal and vertical to the finished wall.

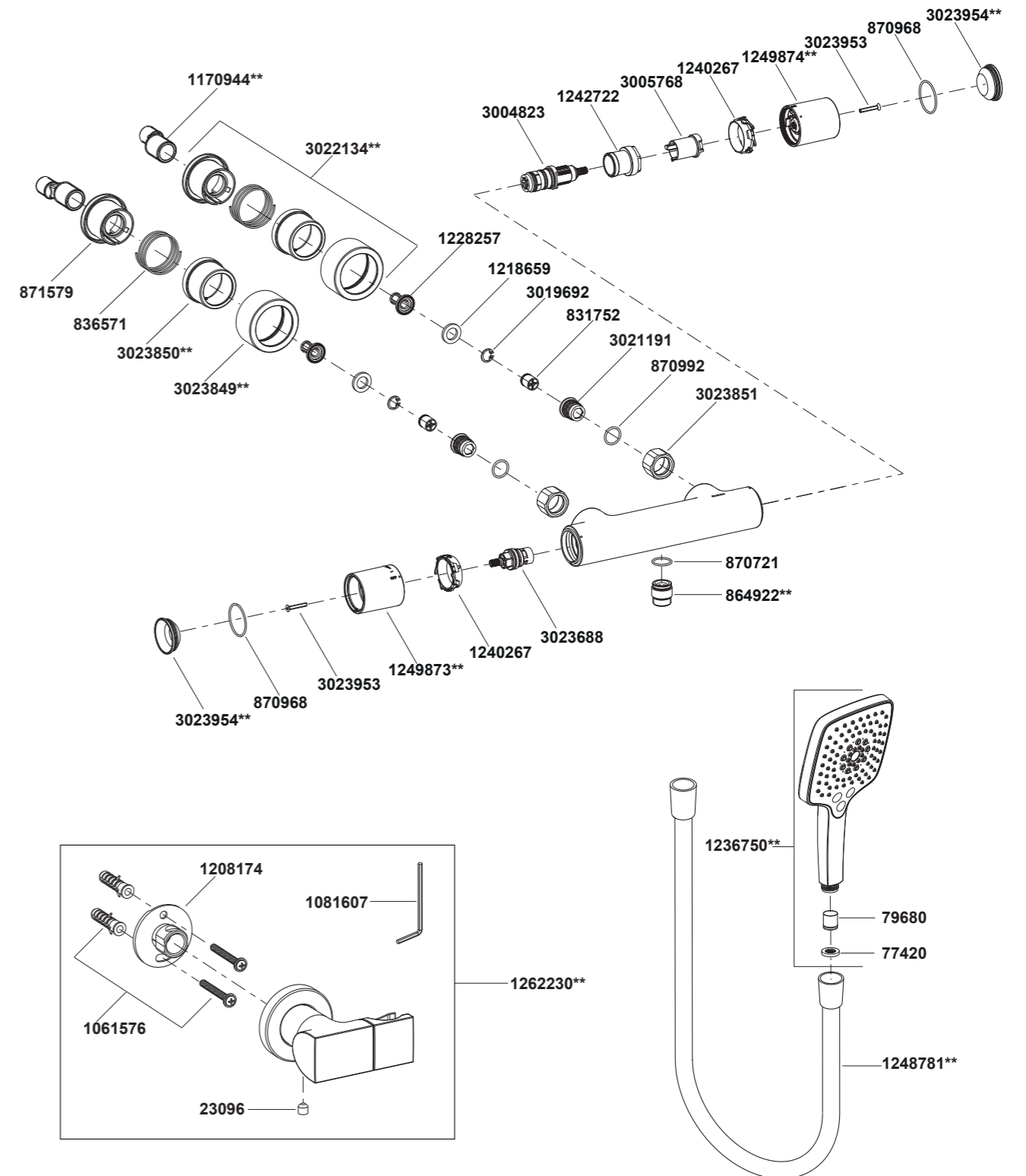
Flush the water supply pipes thoroughly to remove debris.

Apply enough tape or suitable sealant on threads of offset connectors(2). Install the two offset connectors into the hot and cold supply pipes.

Adjust the center-to-center distance between the connectors to 150mm and horizontal. They should extend 40 to 47mm beyond the finished wall.

Thread the escutcheon kits(3) onto the offset connectors(2) until they are against the finished wall.

**73164T-7 Wall-mount Shower Thermostatic Faucet**



\*\*Color code must be specified when ordering.

## How to Clear the Thermostatic Cartridge

Very hard water can obstruct the filters on the thermostatic cartridge and reduce the flow of water.

Please clean the cartridge as follows:

Shut off the water supply of the faucet and open the water flow handle, then proceed to remove the cartridge. The cartridge is sense organ, please be careful.

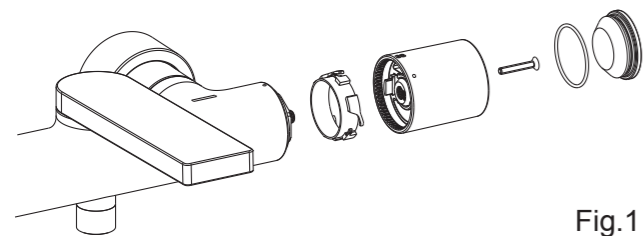


Fig.1

Make sure the reference mark is aligned with number 38 before your action. Remove the handle kit.

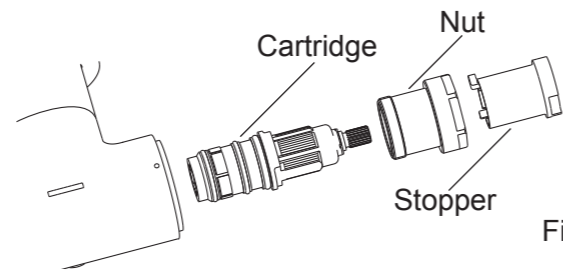


Fig.2

Unscrew the nut and stopper. Remove the cartridge cautiously. Clean the thermostatic cartridge by soaking it in warm vinegar.

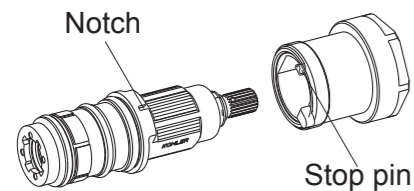


Fig.3

After cleaning, install the 'stop assembly' back on the cartridge, adjusting the stop pin into the notch.

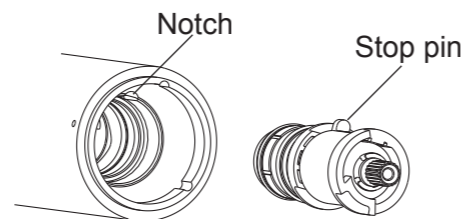


Fig.4

Install the assembly cartridge and stop in the body, adjusting the stop pin into the notch.

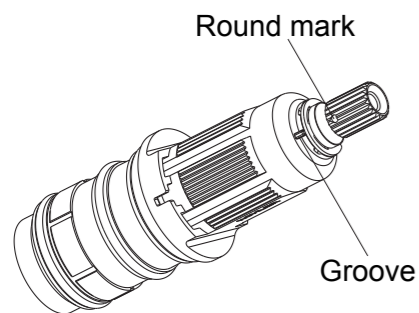


Fig.5

**NOTE:** Do not turn the cartridge when reinstall it. If you turned it without carefully, you should adjust it and be sure that the round mark is correctly in line with the groove, or readjust as per the steps of verification and setting.

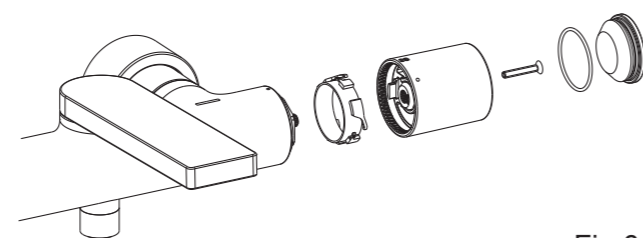


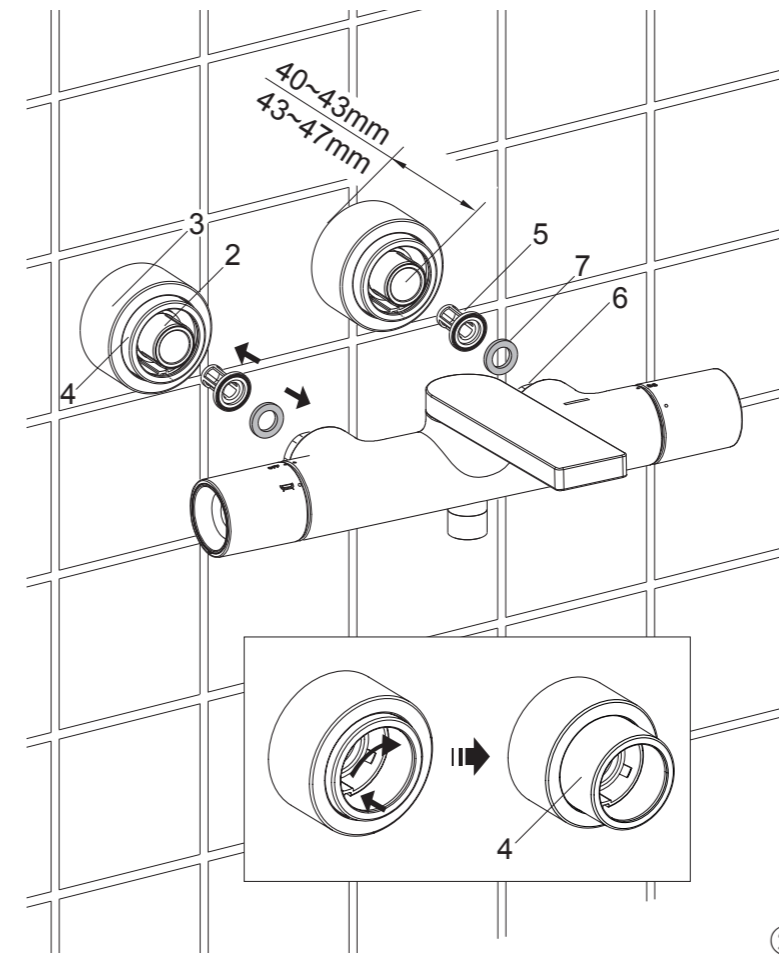
Fig.6

Install the bearing and temperature selector (without turning the spindle) lining the number 38 with the reference mark. Tighten the handle with the screw. Put on the handle plug.

## CLEANING INSTRUCTIONS

All Finishes: Clean the finish with mild soap and warm water. Wipe entire surface completely dry with clean soft cloth. Many cleaners may contain chemicals, such as ammonia, chlorine, toilet cleaner etc. which could adversely affect the finish and are not recommended for cleaning.

Do not use abrasive cleaners or solvents on Kohler faucets and fittings.



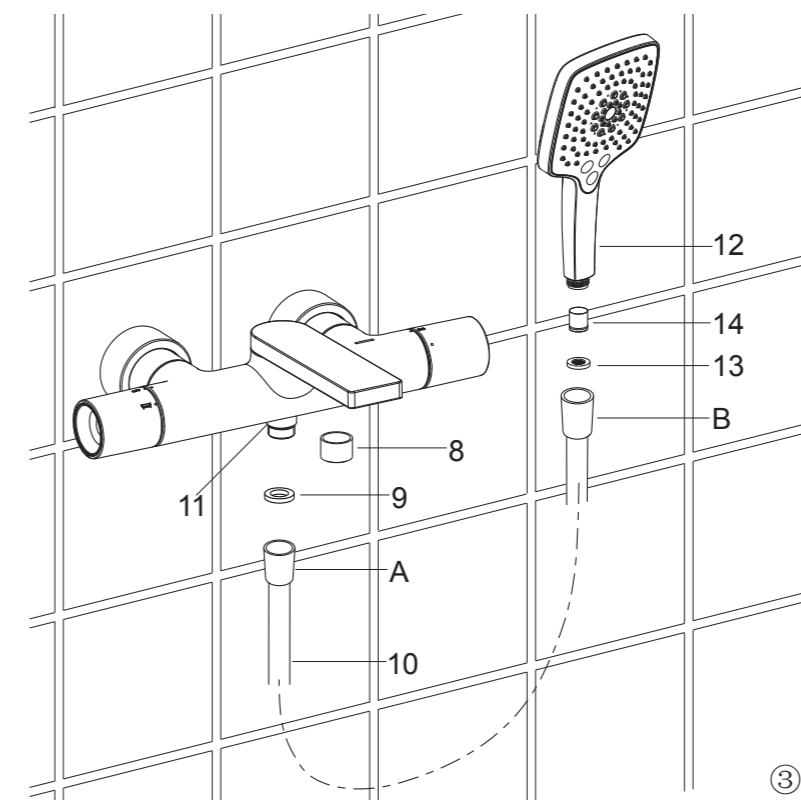
Case 1: When the connector extends 40 to 43mm beyond the finished wall. Put the filters(5) into the connectors. Put the washer(7) into the faucet supply nuts(6).

Case 2: When the connector extends 43 to 47mm beyond the finished wall. Put the filters(5) into the connectors. Discard the washer(7).

Thread the faucet supply nuts onto the connectors and tighten by wrench.

Push and turn right the escutcheons(4), loosen the escutcheon to cover the supply nut.

②



## How to Install the Handshower

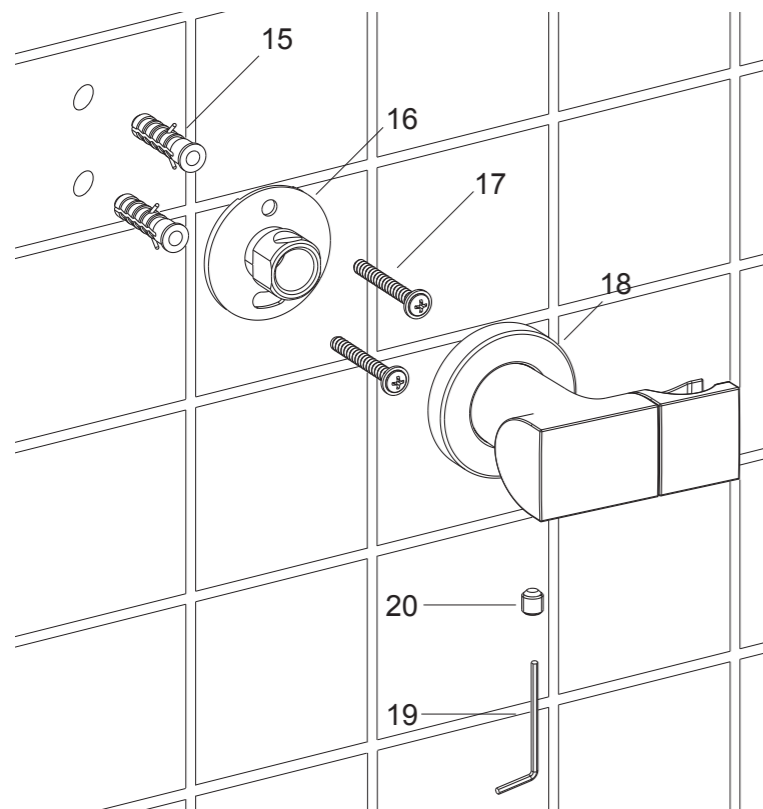
Remove the guard on the outlet connector(8).

Put the washer(9) into end A of the hose(10), and then connect to the faucet outlet(11).

Put the screen washer(13) into end B of the hose, connect end B of the hose to the handshower(12) inlet. **NOTE:** Don't over tighten.

Install check valve(14) into the handshower inlet if needed.

③



### How to Install the Bracket

Determine a suitable location on the finished wall to install the bracket, make sure it should avoid buried cables and pipes in the wall.

Mark bracket base mounting holes locations on the wall according to the dimension. Drill two holes in the finished wall, the holes should match the anchors(15) and be vertically. Install the anchors. Tighten screws(17) to fix bracket base(16) on the finished wall. **NOTE:** The bracket base direction as shown.

Loosen the screw(20) in the bottom of the bracket(18) with the hex wrench(19), make the bracket can be installed. Apply a ring of plumber putty or other sealants around the underside of the bracket. Put the bracket onto the bracket base and lock them by screw and hex wrench. Remove any excess putty.

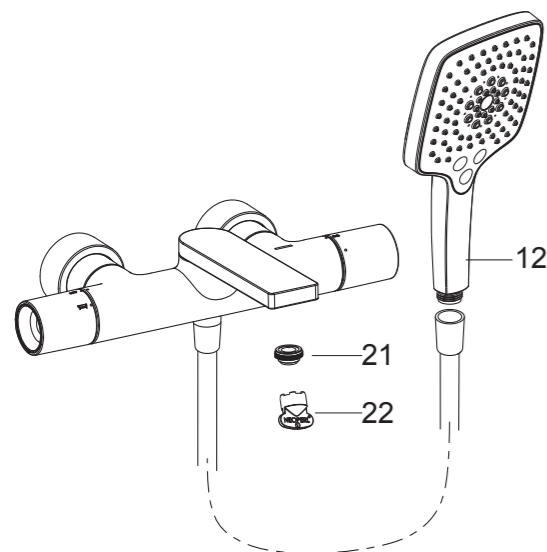
④

### OPERATION INSTRUCTIONS

The temperature is set by slowly turning the temperature selector(right-hand handle). For safety reasons, there is a stop that limits temperature at 38°C. To get a higher temperature, push the button and continue turning the temperature selector counter-clockwise.

For 73164T, turn the left handle clockwise for turn on the faucet, turn counter-clockwise for turn off the faucet; For 73110T, turn the left handle clockwise for handshower, turn counter-clockwise for bath spout.

### INSTALLATION CHECKOUT



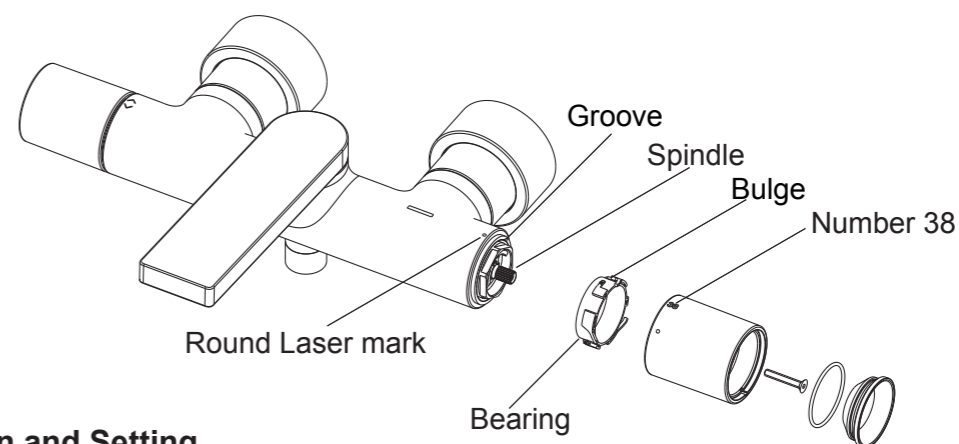
Ensure that all coupling nuts are tight. Ensure that the handle is in the off position.

Turn on the main water supply, and check for leaks. Repair as needed.

For 73110T, remove the handshower(12). Remove the aerator(21) by key(22). For 73164T, remove the handshower.

Run hot and cold water through the faucet for about one minute to remove any debris. Check for leaks. Remove any debris from the aerator assembly. Shut the faucet off, and reinstall the aerator assembly and handshower.

### OPERATION INSTRUCTIONS



### Verification and Setting

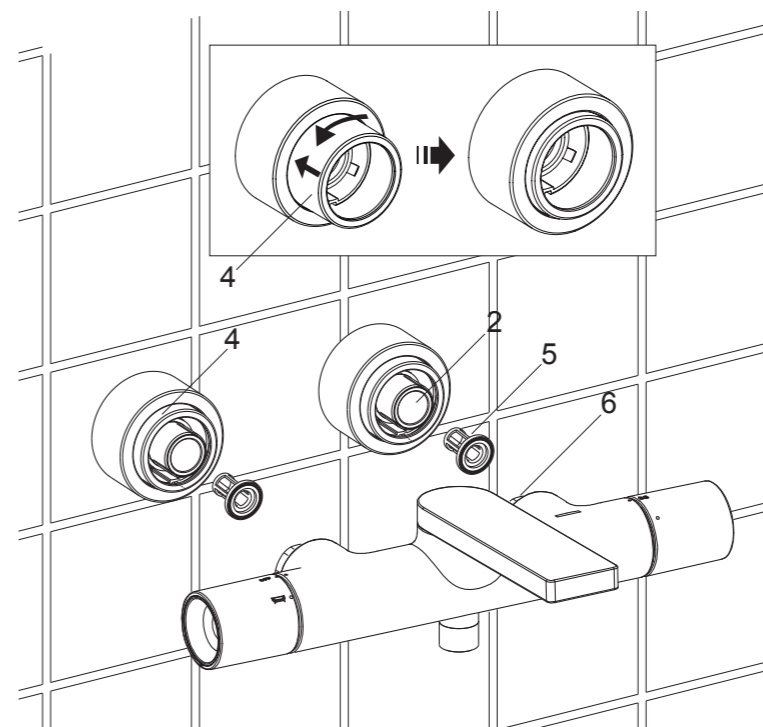
Make sure that the water feeds of the faucet have reach their highest temperature by letting the water run sufficiently. With the selector in position 38°C, the temperature of the water coming out of the faucet must be within a range of 36°C to 38°C, as measured by a thermometer. If this is not the case, the installer can adjust the setting.

Proceed with the setting as follows:

Remove the handle plug. Uninstall the screw with the screwdriver, remove the handle kit.

With the faucet on 'cold' normal water flow, slowly turn the temperature selector(always in the same direction) until water at 38°C is obtained. If the temperature goes over 38°C, go back to the 'cold' setting and set again. When the temperature is stabilized, without turning the cartridge spindle. Make sure the bulge of the bearing align with the groove of the body. Insert the bearing. Make sure the number 38 on the temperature handle aligned with the round laser mark on the faucet body.

Tighten the screw, put on the handle plug as shown.



### How to Clear the Filter

The filters(5) protecting the faucet device may get obstructed and reduce water flow.

When this happens, turn off the water supply, push back and rotate the escutcheon(4), loosen the supply nut(6) by wrench, take out the filters in the connectors(2) after removing the faucet.

Clean the filters by soaking them in warm vinegar. Reinstall them as the figure.