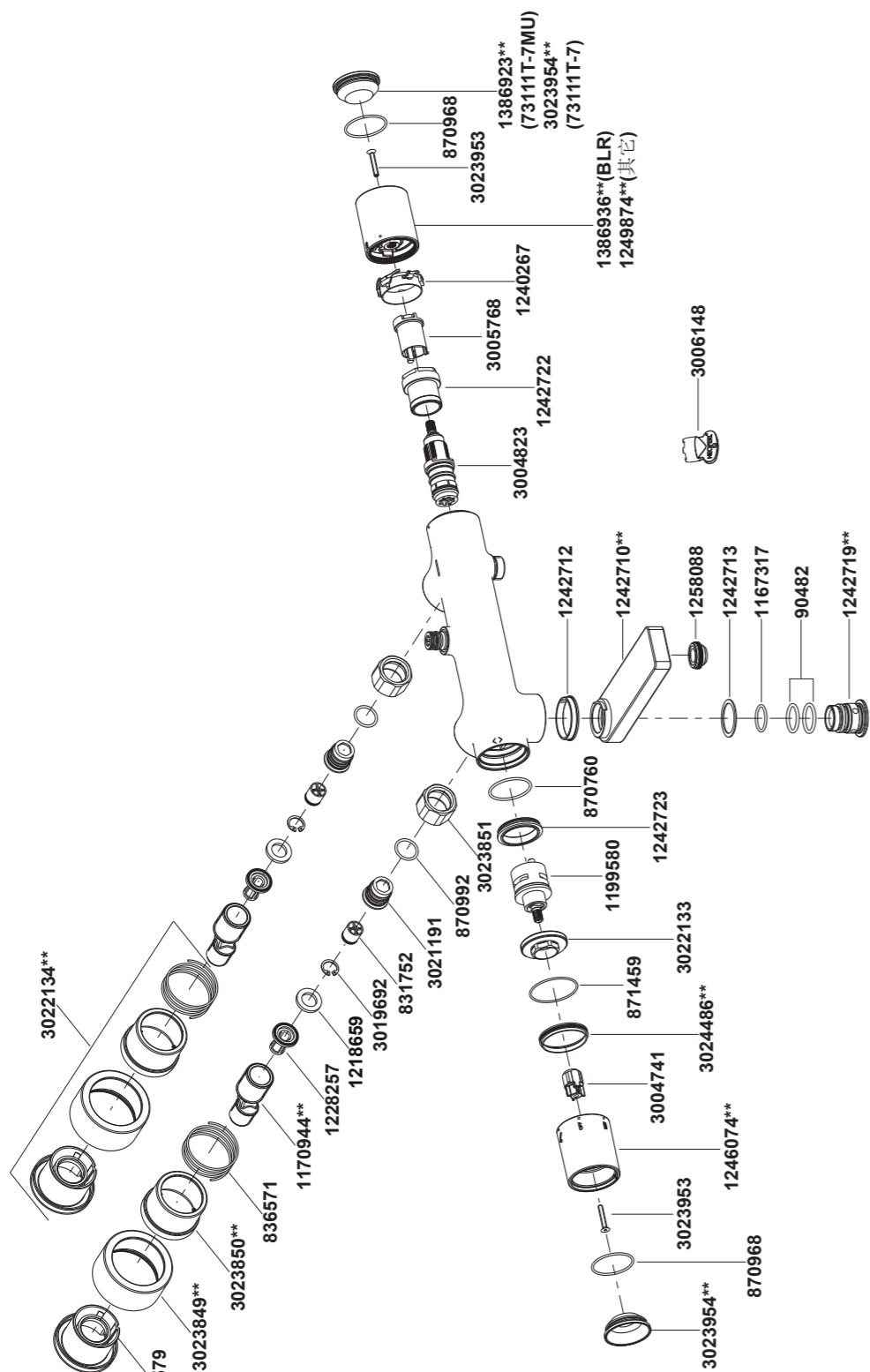


73111T-7 73111T-7MU 恒温三出水淋浴柱-硬管连接



**订购时请说明颜色编号
**Color code must be specified when ordering

73111T-7 73111T-7MU 恒温三出水淋浴柱-硬管连接

安装之前

所有的资料是按最新出版的产品资料编写而成。科勒公司保留任何时候不经通知即可改变产品特性、包装或产品可供类型的权利。

说明书包括重要的安装、保养及清洁方面的内容，请把这些资料交给用户阅读。

BEFORE YOU BEGIN

All information is based on the latest product information available at the time of publication. Kohler Co. reserves the right to make changes in product characteristics, packaging, or availability at any time without notice.

Please leave these instructions for the consumer. They contain important information.

使用环境

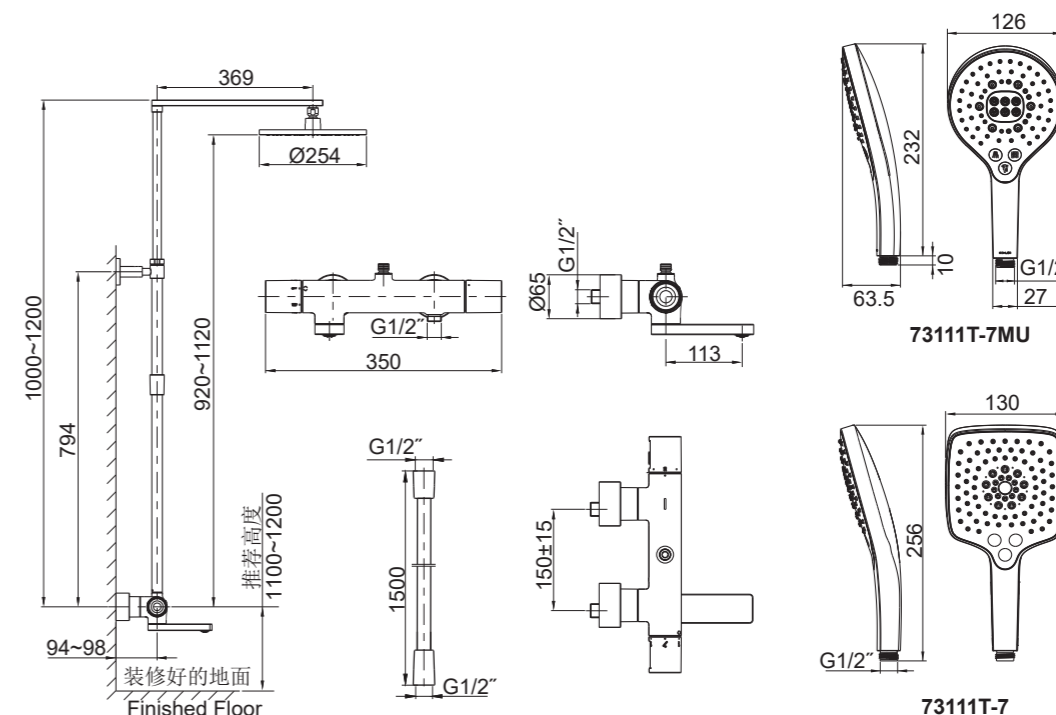
1. 最小供水压力：0.05MPa(0.5bar)。
2. 推荐冷热供水的静态压力：0.3MPa(3bar)。
3. 如果供水压力大于0.5MPa(5bar)，安装减压阀。
4. 热供水温度最低：50°C；最高：80°C。
5. 推荐的热供水温度：65°C。
6. 温度的设定基本范围为：20°C到49°C。
7. 安全限位温度：38°C。
8. 最高混合温度：49°C。
9. 花洒最高工作温度及环境温度：60°C。请特别注意花洒同花洒连接的臂管须远离浴霸，否则可能损坏花洒及其密封件，甚至对使用者造成伤害。

OPERATION CONDITION

1. Minimum supply pressures: 0.05MPa(0.5bar).
2. Recommended supply static pressures: 0.3MPa(3bar) on hot and cold water.
3. Supply pressure greater than 0.5MPa(5bar): install a pressure reducer.
4. Hot water temperatures, minimum: 50°C, maximum:80°C.
5. Recommended hot water temperature: 65°C(energy-saving).
6. Setting range, approximately: 20°C to 49°C.
7. Safety stop at: 38°C.
8. Maximum mixed water temperature: 49°C.
9. The highest environment temperature for handshower & showerhead is 60°C. Please keep the handshower, showerhead and shower arm away from heater, or it may become damaged and cause injury to the user.

安装尺寸

ROUGH-IN DIMENSIONS



使用说明

左把手即切换把手，旋转切换把手至手持花洒标志，手持花洒出水；旋转至头顶花洒标志，头顶花洒出水；旋转至出水口标志，出水口出水。

慢慢旋转温控把手即右把手，调整温度，安全限位温度为38°C。如想得到更高的温度，按住按钮继续旋转。

OPERATION INSTRUCTIONS

Water flow is set by turning the left-hand handle. Turn the diverter handle to the handshower logo, water will flow from the handshower; turn it to the showerhead logo, the showerhead will work; turn it to the spout logo, water will flow from the spout.

The temperature is set by slowly turning the temperature selector(right-hand handle). For safety reasons, there is a stop that limits temperature to 38°C. To get a higher temperature, push the button and continue turning the temperature selector.

安装步骤

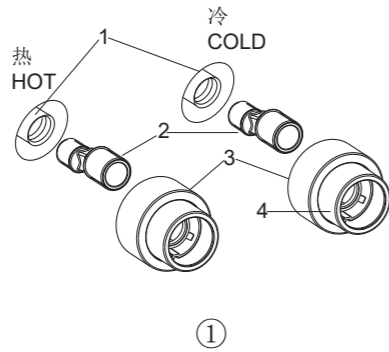
如何安装水龙头

为使安装顺利，G1/2"内螺纹管道配件(1)应已安装好，预留150mm的间距，保持水平，并垂直于装修好的墙面。彻底冲洗供水管，以清除管路中的杂质。

在螺纹上缠绕足够的密封胶带或涂合适的密封膏，安装两个接头(2)到冷热供水管上。

调节两个接头，使其中心距离为150mm并保持同一水平。它们凸出墙面的尺寸应该在40~47mm之间。

将装饰罩组件(3)套到接头(2)上，使其贴紧墙壁。



INSTALLATION

How to Install the Faucet

To perform installation, installer must provide G1/2" female supply fittings(1), spaced 150mm apart and horizontal, they should be vertical to the finished wall. Flush the water supply pipes thoroughly to remove debris.

Apply enough tape or suitable sealant on threads of offset connectors(2). Install the two offset connectors into the hot and cold supply pipes.

Adjust the center-to-center distance between the connectors to 150mm horizontally. They should extend 40~47mm beyond the finished wall.

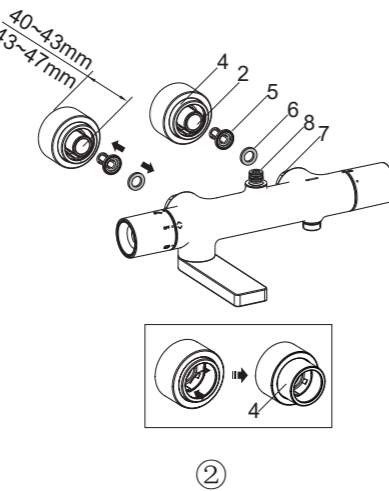
Slide the escutcheon kits(3) onto the offset connectors(2) until they are against the finished wall.

情形一：当接头(2)凸出墙面的距离是40~43mm时，将滤网(5)装到接头内。将垫片(6)装到螺母(7)内。

情形二：当接头(2)凸出墙面的距离是43~47mm时，将滤网(5)装到接头内。扔掉垫片(6)。

保持水龙头出水口(8)朝上，将龙头的螺母旋到接头上，用扳手锁紧螺母。

后推并向右旋转装饰罩(4)，松开装饰罩，使其盖住螺母。



Option 1: When the connectors(2) extend 40~43mm beyond the finished wall. Put the filters(5) into the connectors. Put the washers(6) into the faucet supply nuts(7).

Option 2: When the connectors(2) extend 43~47mm beyond the finished wall. Put the filters(5) into the connectors. Discard the washer(6).

Keep the faucet outlet(8) upwards, thread the faucet supply nuts onto the connectors and tighten by wrench.

Push and turn the escutcheons(4) to the right, loosen it to cover the supply nut.

KOHLER®

SERVICE PARTS

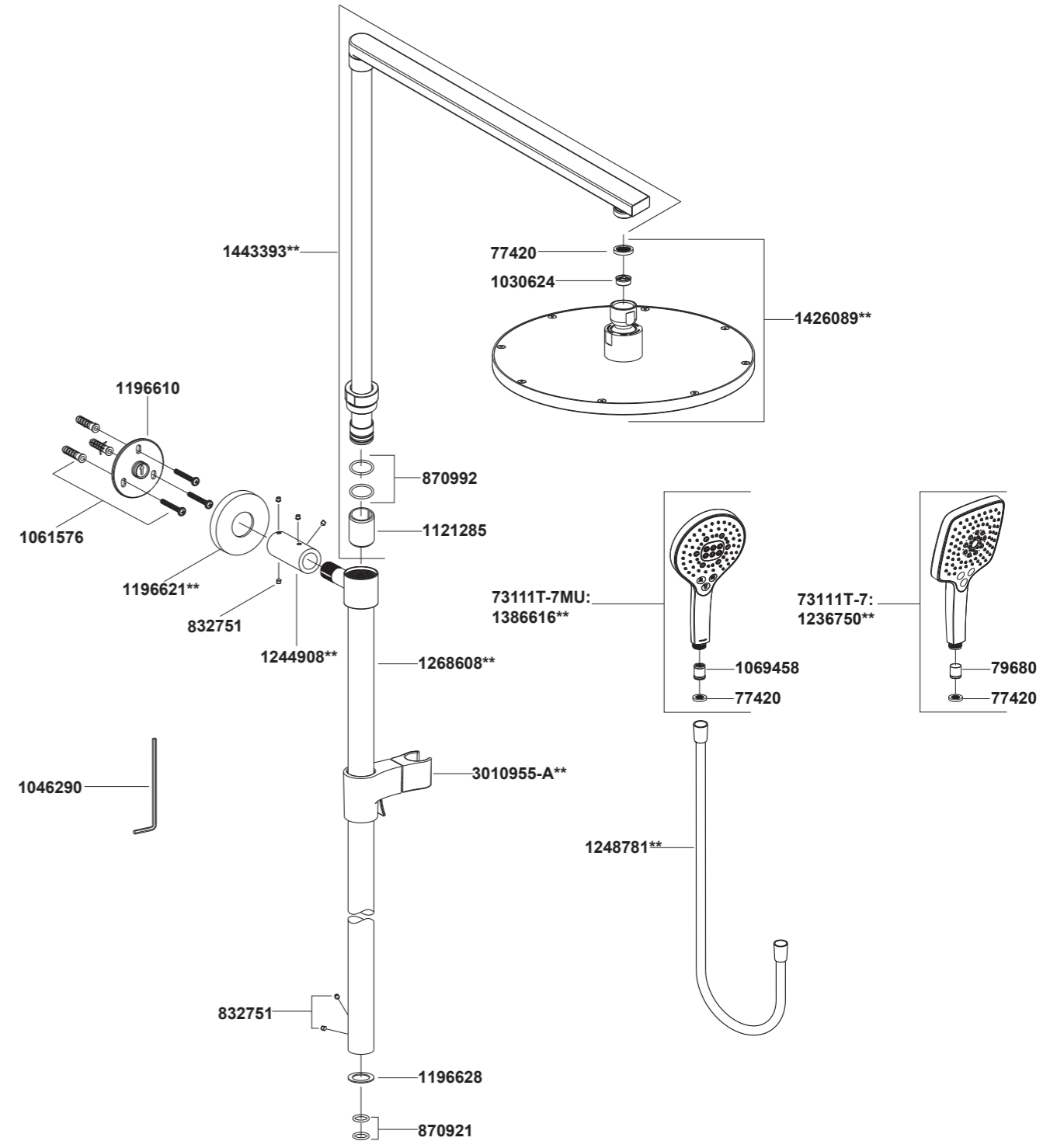
零件图

柏诗

COMPOSED

Thermostatic 3-Way Shower Column

73111T-7 73111T-7MU 恒温三出水淋浴柱-硬管连接



**订购时请说明颜色编号

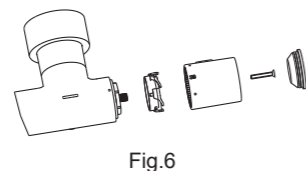
**Color code must be specified when ordering

注意： 确保拆卸、安装过程中不要转动温控阀轴。如不小心转动了阀轴，要调整阀轴使外齿上的圆孔标识与相邻的塑料套上的凹槽对齐，或者按前述方法进行调整。



NOTE: Do not turn the cartridge when reinstall it. If you turn it accidentally, you should adjust it and be sure that the round mark is correctly in line with the groove, or readjust as per the steps of verification and setting.

安装轴套及温控把手(不要转动温控阀轴)，使参考标识同数字38对齐。



Install the bearing and temperature selector(without turning the spindle) lining the number 38 with the reference mark.

拧紧螺钉。安装把手上盖。

Tighten the handle with the screw. Put on the handle plug.

清洗说明

CLEANING INSTRUCTIONS

适用于所有加工处理过的表面：以中性肥皂水清洗镀层表面，再以干净软布彻底擦干整个表面，许多清洁剂比如氨水、去污粉及洁厕灵等，会对电镀表面造成伤害，切忌使用。

All Finishes: Clean the finish with mild soap and warm water. Wipe entire surface completely dry with clean soft cloth. Many cleaners may contain chemicals, such as ammonia, chlorine, toilet cleaner etc. which could adversely affect the finish and are not recommended for cleaning.

有磨损性的清洁用具或清洁剂也不可适用于科勒牌的水龙头及其配件上。

Do not use abrasive cleaners or solvents on Kohler faucets and fittings.

如何安装花洒淋浴柱

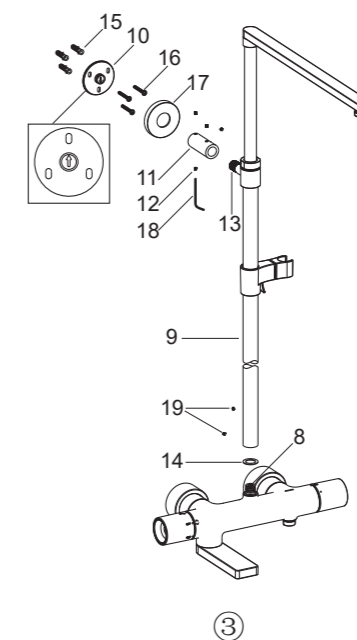
试装淋浴柱组件(9)，以确定上底座(10)安装位置。将连接管(11)与底座连接。(注意：底座上的箭头朝上)，并用螺钉(12)锁紧。将连接管另一端套在淋浴柱组件接头(13)上。

将垫片(14)放到龙头出水口(8)上。连接龙头出水口与淋浴柱组件。将淋浴柱组件竖直放置。调整连接管，使淋浴柱组件平行于墙面。用铅笔标记底座孔位。分别拆下淋浴柱组件和连接管(注意：切勿弄丢螺钉)。

根据胀塞(15)直径在墙面上的标记处打孔。放入胀塞，用自攻螺钉(16)固定底座(注意：底座上箭头朝上)。

确认垫片(14)在龙头出水口上。将连接管和装饰罩(17)套在淋浴柱组件的接头上。将淋浴柱组件安装到龙头上。滑动连接管使其套在底座上，用六角扳手(18)和螺钉锁紧固定。旋紧装饰罩，直至接触墙壁。保持弯管出水口朝前，且淋浴柱组件平行于墙面，用螺钉将接头和连接管连接，并用六角扳手锁紧。

用六角扳手锁紧螺钉(19)。



How to Install the Shower Column

Rehearse the shower column kit(9) installation for the base(10) mounting location determination. Connect the tube joint(11) and the base(NOTE: The arrow in the base is up), tighten them with screw(12). Set the other end of the tube joint on the supporter(13) of shower column.

Put the washer(14) onto faucet outlet(8). Connect the faucet outlet and shower column. Place the column kit upright and parallel to the finished wall. Mark the hole of base with a pencil. Uninstall the shower column kit and tube joint.(NOTE: Don't lose the screws.)

Drill hole in the finished wall according to the diameter of the anchor(15) and the position of mounting base. Insert anchors into the holes. Secure the mounting base by self-tapping screws(16). (NOTE: The arrow in the base is upward).

Ensure the washer(14) is on the faucet outlet. Install the tube joint and escutcheon(17) onto the supporter of shower column. Connect the shower column kit and faucet. Slide the tube joint onto the base, tighten with screws by hex wrench(18). Screw the escutcheon until it against wall. Make sure the outlet of shower column faces the front, and the shower column is parallel to the finished wall. Connect the supporter and tube joint with screw, tighten them with hex wrench.

Tighten the screws(19) with hex wrench.

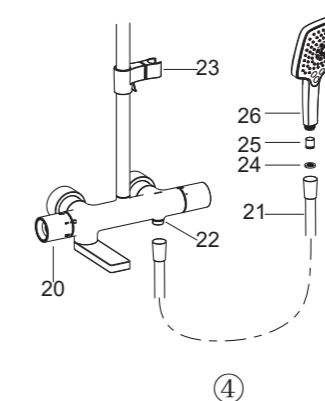
如何安装手持花洒

安装手持花洒(26)之前，调整切换把手(20)至手持花洒出水位置，并打开冷热水源，冲掉管路中的杂质。

将滤网垫片(24)放入花洒软管(21)接头内，用软管连接手持花洒与接头(22)。注意：不要过份拧紧。

可根据需要将限流器(25)放入到花洒进水端。

将花洒挂在花洒挂架(23)上。



How to Install the Handshower

Before installation of handshower(26), ensure that the diverter handle(20) is in the position for handshower. Flush hot and cold water supplies to remove any debris.

Put the screen washer(24) into the shower hose(21) connector. Connect the connector(22) and handshower with hose. Tighten all the connectors. NOTE: Don't over tighten.

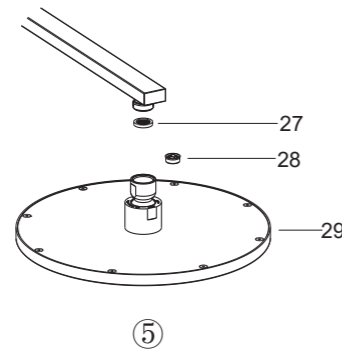
Install regulator(25) into the handshower inlet if needed.

Hang the handshower on the shower bracket(23).

如何安装头顶花洒

装头顶花洒(29)之前调整至头顶花洒出水状态, 打开水源冲掉管路中的杂质。

取出垫片(27), 根据需要将限流器(28)放入到头顶花洒接头中, 再装回垫片。将头顶花洒旋到弯管组件出水口上, 用带状扳手锁紧。



How to Install the Showerhead

Before installation of showerhead(29), turn the diverter handle for showerhead, run hot and cold water for about one minute to remove any debris.

Take out the washer(27). Install the restrictor(28) into the showerhead if needed. Reinstall the washer. Tighten the showerhead onto the tube kit outlet with strap wrench.

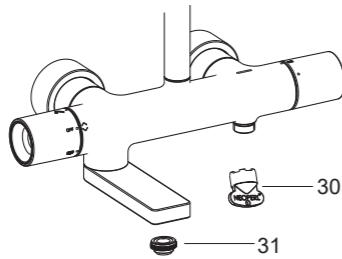
安装结果检查

检查并确保所有的衔接处都已拧紧, 确保手柄处于关闭位置。

打开排水系统和主要供水源, 检查并修理有漏水的接口。

用工具(30)取下起泡器(31)。打开冷热水, 让水流约一分钟, 以清除杂质。检查渗漏。

关闭水龙头, 装回起泡器。



INSTALLATION CHECKOUT

Ensure that all connections are tight. Ensure that the handle is in the off position.

Turn on the drain and main water supply, and check for leaks. Repair as needed.

Remove the aerator(31) by key(30). Run hot and cold water through the faucet for about one minute to remove any debris. Check for leaks.

Shut off the faucet, and reinstall the aerator.

维护与保养

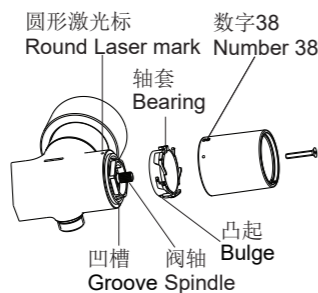
温度测试与调整

温度测试前, 应确保供水系统充分且有较高的温度。温度把手在38°C位置时, 打开龙头让水流出。进行温度测量, 出厂时温度设定在36~38°C范围内。如超出这个范围, 要进行调整。调整步骤如下:

取下把手上盖, 用螺丝刀取下螺钉和温控把手组件。

在正常水流状态下, 由冷水位置开始慢慢转动温控阀轴(保持同一方向)直至获得38°C水流。如果温度超过38°C, 回到冷水位置重新调整。温度稳定后, 不要转动温控阀轴, 将轴套上的凸起对准本体上的凹槽装入。安装温控把手, 使得温控把手上的数字38与本体上的圆形激光标对齐。

如图示锁紧螺钉, 安装把手上盖。



CARE AND MAINTENANCE

Verification and Setting

Make sure that the water feeds of the faucet have reached their highest temperature by running the water sufficiently. With the selector in position 38°C, the water temperature should be within a range of 36°C and 38°C, as measured by a thermometer. If not, the installer can adjust the setting. Proceed with the setting as follows:

Remove the handle plug. Uninstall the screw with the screwdriver, remove the handle kit.

Under the normal condition of water flow, slowly turn the temperature selector(Always in the same direction) from the cold water position until water temperature reaches 38°C. If the temperature goes over 38°C, go back to the "cold" setting and reset it. When the temperature is stable, do not turn the cartridge spindle. Make sure the bulge of the bearing aligned with the groove of the body. Insert the bearing. Make sure the number 38 on the temperature handle aligned with the round laser mark on the faucet body.

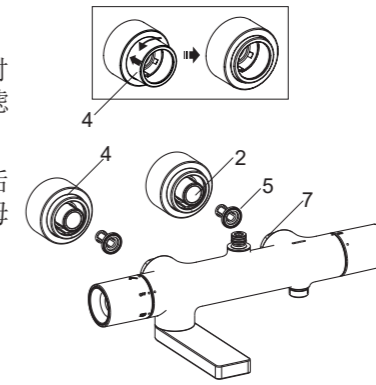
Tighten the screw, put on the handle plug as shown.

如何清洗滤网

滤网(5)可起到保护龙头的作用, 但长时间使用后, 水垢或杂质可能会堵塞滤网, 降低水流量。

如果有类似情况发生, 先关闭水源, 后推并旋转装饰罩(4), 用扳手拧松螺母(7), 卸下龙头取出接头(2)内的滤网。

用热醋清洗滤网。然后按照图示装回。



How to Clear the Filter

The filters(5) can protect the faucet, but it may get obstructed and reduce water flow.

If this happens, turn off the water supply, push back and rotate the escutcheons(4). Loosen the supply nuts(7) by wrench, take out the filters in the connectors(2) after removing the faucet.

Clean the filters by soaking them in warm vinegar. Reinstall them as the figure.

如何清洗温控阀

如果供水的水质较硬或长时间使用, 水垢或杂质会阻塞温控阀上的滤网, 流量会降低。

需要清理请按照下列步骤进行:

关闭供水系统, 使流量阀处于打开位置后进行温控阀的拆卸作业。温控阀是较敏感的配件, 所以要十分小心。

拆卸前确保指示标识与数字38对齐。拆卸把手组件。

将螺母和塑料套卸下。小心地卸下温控阀。用热醋进行清洗。

清洗后, 将塑料套和螺母(限位组件)装到温控阀上, 使塑料套的定位柱嵌入温控阀的限位槽内。

然后将塑料套的定位柱与龙头本体内孔凹槽对齐, 装入温控阀并锁紧螺母。

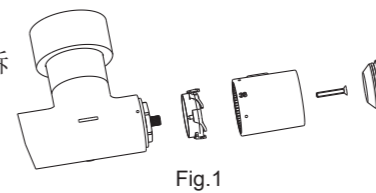


Fig.1

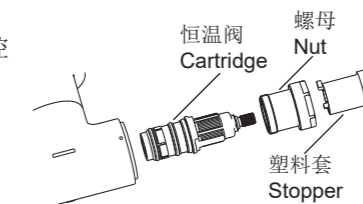


Fig.2

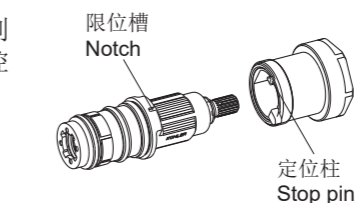


Fig.3

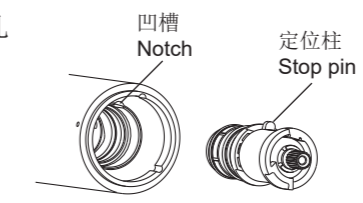


Fig.4

How to Clear the Thermostatic Cartridge

Very hard water can obstruct the filters on the thermostatic cartridge and reduce the water flow.

Please clean the cartridge as follows:

Shut off the water supply of the faucet and open the water flow handle, then proceed to remove the cartridge. The cartridge is sensitive part, please be careful.

Make sure the reference mark is aligned with number 38 before your action. Remove the handle kit.

Unscrew the nut and stopper. Remove the cartridge cautiously. Clean the thermostatic cartridge by soaking it in warm vinegar.

After cleaning, install the "stop assembly" back on the cartridge, adjust the stop pin into the notch.

Install the assembly cartridge and stop in the body, adjust the stop pin into the notch.