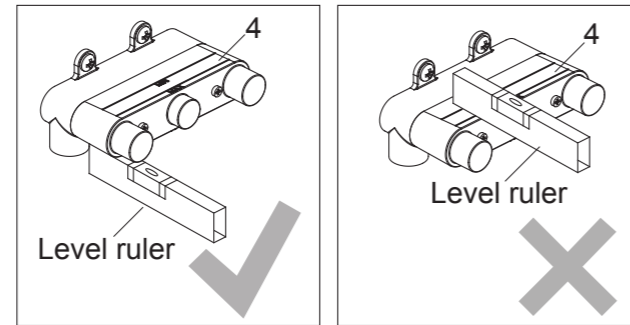
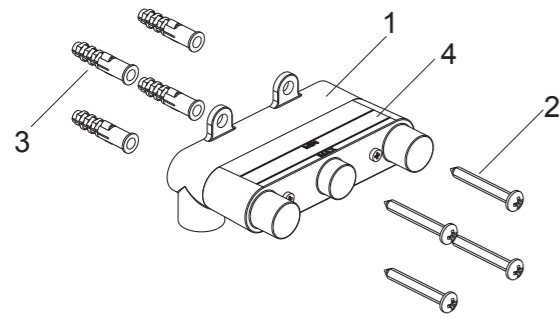




## INSTALLATION



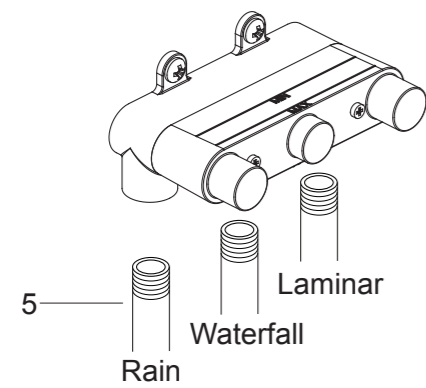
①

### How to Install the Base

Determine the position of the base(1) will be mounted on the vertical wall according to the rough-in dimensions.

Make a suitable hole in the wall. Drill four holes( $\varnothing 10$ ) as anchor(3) diameter and base position in the wall. The center line of two vertical holes should be vertical.

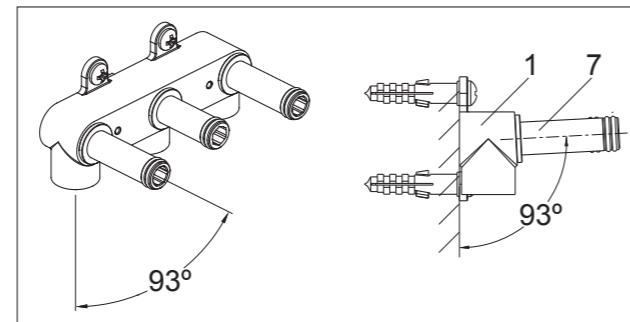
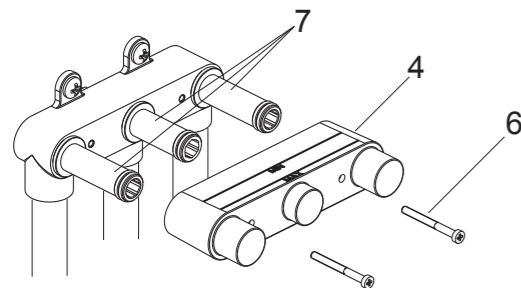
Install the anchors, secure the base by the screws(2). **NOTE:** The out surface of the finished wall should be between the MAX and MIN marks on the protector(4). Ensure the bottom of protector is horizontal by lever ruler.



②

Use appropriate thread sealants or thread tape on the water supplies(5). Connect water supplies to the base.

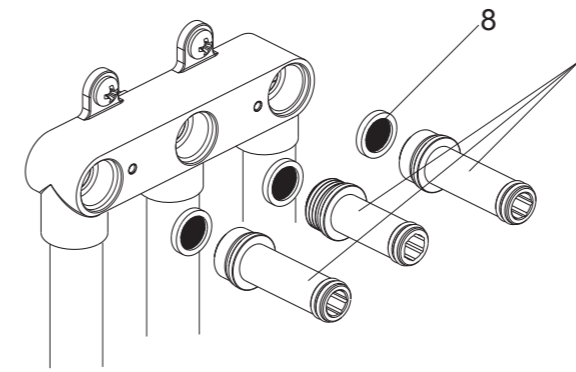
During installation, the protector remain on the base.



③

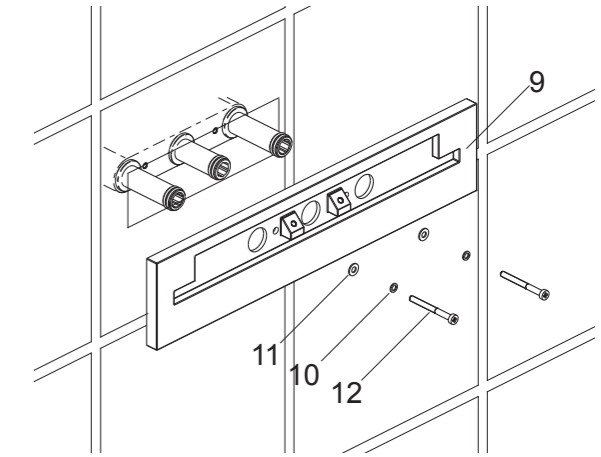
### How to Install the Showerhead

When the finished wall is completed, take off the screws(6) and protector(4). The angle between connectors(7) and finished wall should be 93 degrees.



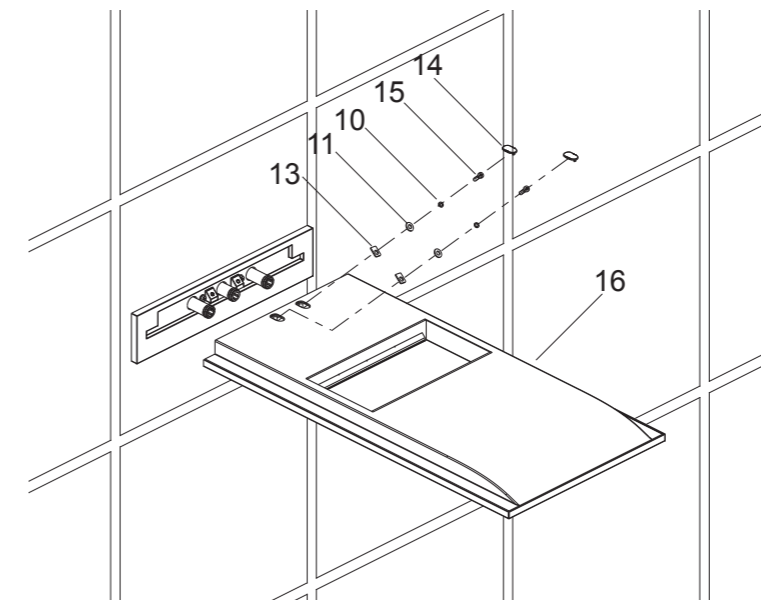
④

Remove the connectors(7) by hex wrench, take off the filter washers(8). Flush water supplies for about one minute to remove debris. Reinstall the connectors and filter washers.



⑤

Slide the escutcheon base(9) on the connector till it against the wall, tighten it by screw(12) with washer(11) and locking gasket(10).



⑥

Slide the showerhead kit(16) into the escutcheon base.

Fix the showerhead by the screw(15) with washer(11, 13) and locking gasket(10). Press the cap(14).

## INSTALLATION CHECKOUT

Ensure that all connections are tight. Ensure that the handle is in the off position.

Turn on the drain and main water supply, and check for leaks. Repair as needed.

## CLEANING INSTRUCTIONS

All Finishes: Clean the finish with mild soap and warm water. Wipe entire surface completely dry with clean soft cloth. Many cleaners may contain chemicals, such as ammonia, chlorine, toilet cleaner etc, which could adversely affect the finish and are not recommended for cleaning.

Do not use abrasive cleaners or solvents on Kohler faucets and fittings.