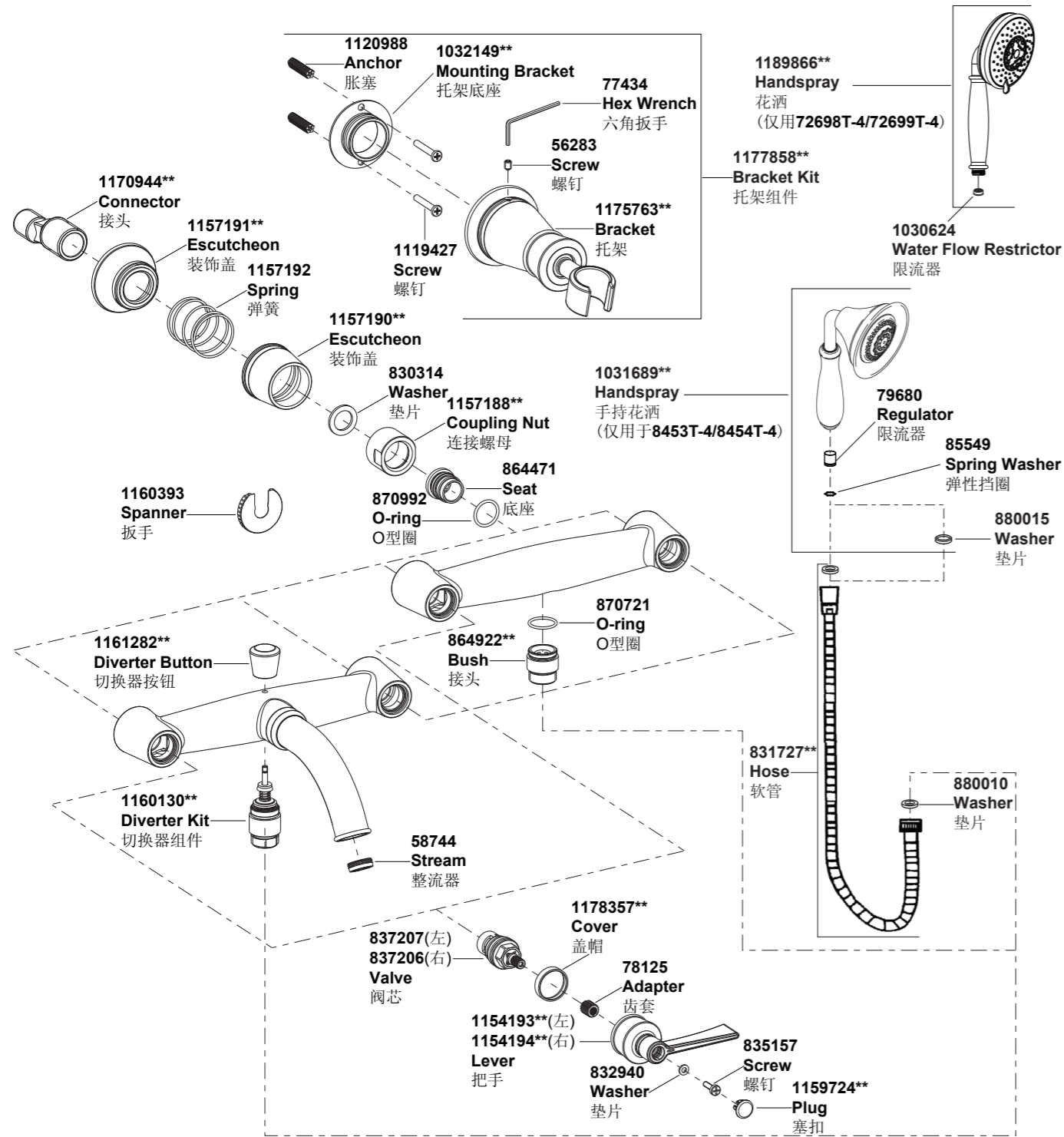


8454T-4 72699T-4 挂墙式花洒龙头
8453T-4 72698T-4 挂墙式花洒浴缸龙头



**订购时请说明颜色编号
**Color code must be specified when ordering

8454T-4 72699T-4 挂墙式花洒龙头
8453T-4 72698T-4 挂墙式浴缸花洒龙头

安装之前

所有的资料是按最新出版的产品资料编写而成。科勒公司保留任何时候不经通知即可改变产品特性、包装或产品可供类型的权利。

说明书包括重要的安装、保养及清洁方面的内容，请把这些资料交给用户阅读。

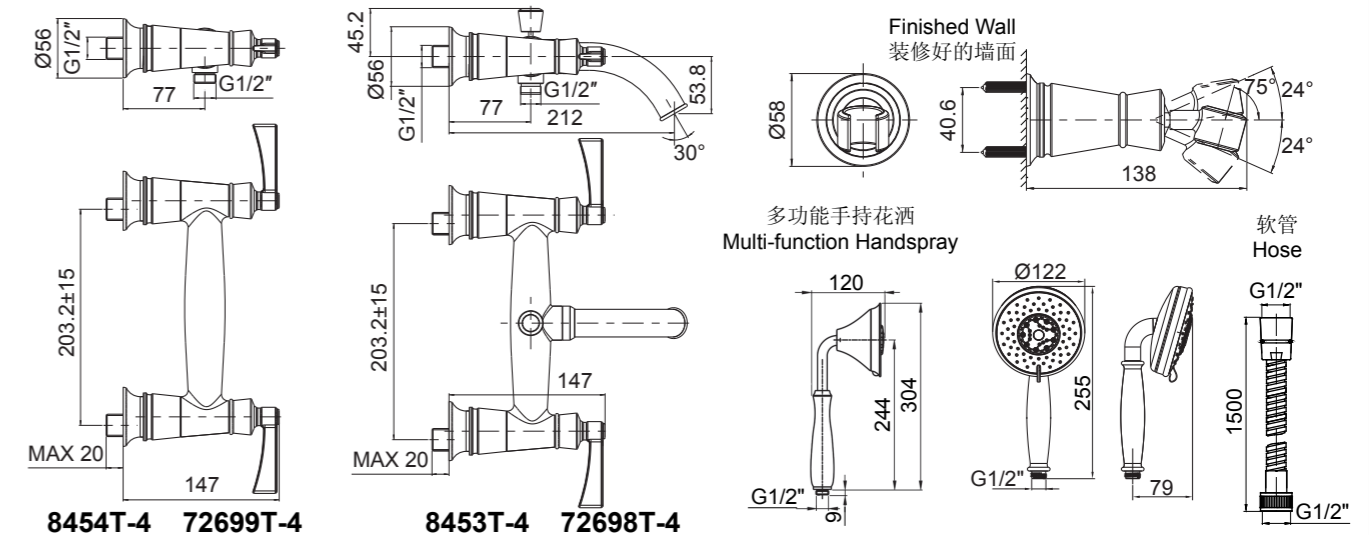
注意事项：

1. 一定要先彻底冲洗供水管以清除管道中的杂质。
2. 切换器正常工作的最小压力为0.05Mpa(0.5bar)。
3. 花洒最高工作压力：0.5Mpa(5bar)。水压超过0.5Mpa(5bar)须安装减压阀。花洒最高工作温度及环境温度：60°C。请特别注意花洒同花洒连接的臂管须远离浴霸，否则可能损坏花洒及其密封件，甚至对使用者造成伤害。

使用说明

顺时针旋转左把手为开，逆时针旋转右把手为开。对于8453T-4/72698T-4，将切换器轻轻提起，手持花洒出水。

安装尺寸



BEFORE YOU BEGIN

All information is based on the latest product information available at the time of publication. Kohler Co. reserves the right to make changes in product characteristics, packaging, or availability at any time without notice. Please leave these instructions for the consumer. They contain important information.

NOTES:

1. Flush the water supply pipes thoroughly to remove debris.
2. The minimum inlet water pressure for the diverter is 0.05Mpa(0.5bar).
3. The highest working pressure for handspray is 0.5Mpa(5 bars). If it exceeds 0.5Mpa(5 bars), a pressure reducer is needed. The highest water and environment temperature is 60°C. Please keep handspray, shower head and the shower arm away from heater, or it may become damaged and cause injury to the user.

HANDLE OPERATION

For 8454T-4/72699T-4, left handle opens with turning clockwise, and right handle opens with turning anticlockwise. For 8453T-4/72698T-4, lift the diverter gently, handspray works.

ROUGH-IN DIMENSIONS

安装步骤

如何安装水龙头

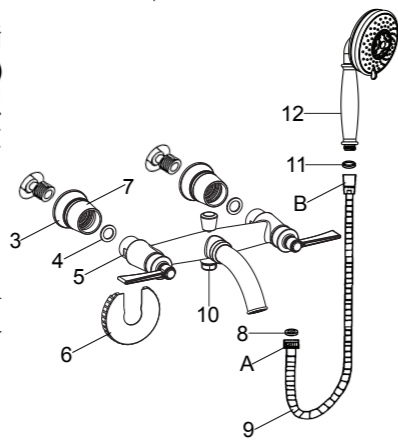
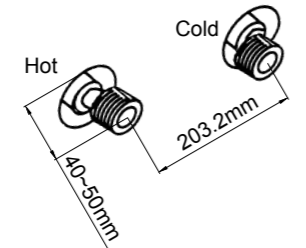
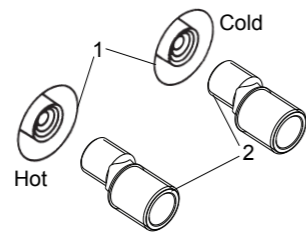
为使安装顺利，G1/2"内螺纹管道配件(1)应已装好。预留203.2mm的间距，保持水平。管道配件要垂直并且不能凸出装修好的墙面。热供水管装在左边。

在两个接头(2)涂上螺纹密封胶或缠绕足以密封的密封胶带，旋入冷热水管中。

调节两个接头，使其中心距离为203.2mm并保持同一水平。它们凸出墙面的尺寸应该在40到50mm之间。

将装饰盖组件(3)旋紧到接头上且与墙面接触。将垫片(4)放入水龙头螺母(5)中，将螺母旋到接头上。用扳手(6)锁紧螺母。旋松装饰盖(7)使其完全盖住螺母。

将垫片(8)装入软管(9)的A端，与出水口(10)连接。将垫片(11，厚5mm)装入软管的B端，与花洒(12)连接。



INSTALLATION

How To Install The Faucet

To perform installation, installer must provide G1/2" female supply fittings(1), spaced 203.2mm apart and level. The supply fittings should be vertical and not beyond the finished wall. Hot supply pipe must be located on the left.

Install the two offset connectors(2) into the hot and cold supply pipes. Use appropriate thread sealants or thread tape on pipe threads.

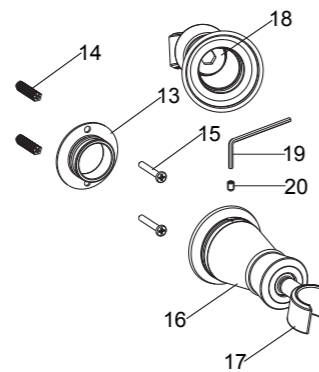
Adjust the center-to-center distance between the connectors to 203.2mm and level. They should extend 40 to 50mm beyond the finished wall.

Thread the escutcheon kits(3) onto the connectors until they are against the finished wall. Put the washers(4) into the nuts(5), thread the nuts to connectors. Tighten the nuts with the wrench(6). Loosen the escutcheons(7) so that they cover the nuts.

Put the washer(8) into the end A of the hose(9), and connect to the faucet outlet(10). Put the washer(11, thickness 5mm) into the end B of the hose, and connect to the handspray(12).

在墙面选一合适的位置来安装托架。

根据安装尺寸在墙壁上标出底座(13)安装孔位。根据胀塞(14)直径钻孔，安装胀塞。旋紧螺钉(15)，固定底座。安装托架(16)之前，检查托架的花洒托环(17)是否松动，如果松动，用9.5mm六角扳手(客户自备)锁紧托架底部的螺母(18)。在托架底部边缘涂一圈油灰或密封胶，安装托架，使其紧贴墙壁且螺孔朝上。用六角扳手(19)旋紧螺钉(20)以固定托架。去除多余油灰或密封胶。



Determine a suitable location on the finished wall to install the bracket.

Mark bracket support(13) mounting hole locations on the wall according to the dimension. Drill two holes on the finished wall, the holes should match the anchors(14). Install the anchors. Tighten screws(15) to secure bracket support. Before installing the bracket (16), check if the ring(17) of the bracket is loose. If yes, tighten the nut(18) on the bottom of the bracket with 9.5mm hex wrench(not provided). Apply a ring of plumbers putty or sealant around the back surface of the bracket. Install the bracket onto the bracket support until they contact the finished wall, and keep screw hole up. Tighten the screw(20) with the hex wrench(19) to secure the bracket. Remove any excess putty or sealant.

安装结果检查

检查并确保所有的衔接处都已拧紧，确保把手在关的位置。

打开排水系统和主要供水源，检查并修理有漏水的接口。

将花洒拆下。打开龙头的冷热水，让水流出约一分钟以清除杂质，检查渗漏。关闭水龙头，重新装回花洒。

INSTALLATION CHECKOUT

Ensure that all connections are tight. Ensure that the handles are in the off position.

Turn on the drain and main water supply, and check for leaks. Repair as needed.

Remove the handspray. Turn on the faucet. Run the water through the spout about one minute to remove any debris. Check for leaks. Shut off the faucet. Reinstall the handspray.

清洗说明

适用于所有加工处理过的表面：以中性肥皂水清洗镀层表面，再以干净的软布彻底擦干整个表面，许多清洁剂，比如氨水、去污粉及洁厕灵等，会对电镀表面造成伤害，切忌使用。

有磨损性的清洁用具或清洁剂也不可适用于科勒牌的水龙头及其配件上。

CLEANING INSTRUCTIONS

All Finishes: Clean the finish with mild soap and warm water. Wipe entire surface completely dry with clean soft cloth. Many cleaners may contain chemicals, such as ammonia, chlorine, toilet cleaner etc. which could adversely affect the finish and are not recommended for cleaning.

Do not use abrasive cleaners or solvents on Kohler faucets and fittings.