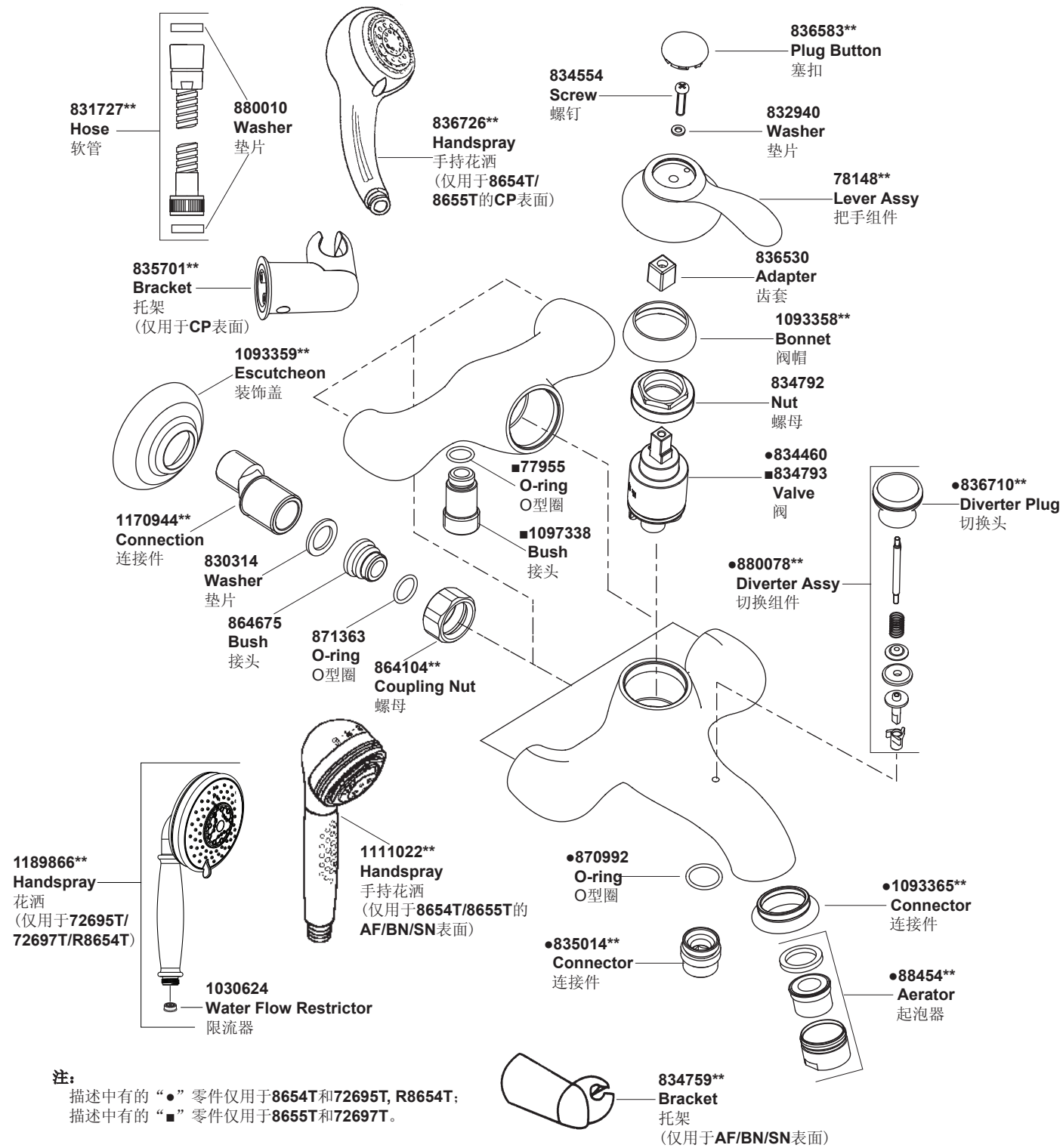


8654T 72695T R8654T
8655T 72697T

挂墙式浴缸花洒龙头
挂墙式花洒龙头



注：
描述中有的“●”零件仅用于8654T和72695T, R8654T;
描述中有的“■”零件仅用于8655T和72697T。

**订购时请说明颜色编号
**Color code must be specified when ordering

8654T 72695T R8654T
8655T 72697T

挂墙式浴缸花洒龙头
挂墙式花洒龙头

安装之前

BEFORE YOU BEGIN

所有的资料是按最新出版的产品资料编写而成。科勒公司保留任何时候不经通知即可改变产品特性、包装或产品可供类型的权利。

All information is based on the latest product information available at the time of publication. Kohler Co. reserves the right to make changes in product characteristics, packaging, or availability at any time without notice. Please leave these instructions for the consumer. They contain important information.

说明书包括重要的安装、保养及清洁方面的内容，请把这些资料交给用户阅读。

NOTES:
1. Flush the water supply pipes thoroughly to remove debris.
2. The minimum inlet water pressure for the diverter is 0.05MPa(0.5bar).
3. The highest working pressure for handspray is 0.5MPa(5 bar). If it exceeds 0.5MPa(5 bar), a pressure reducer is needed. The highest water and environment temperature is 60°C. Please keep handspray, showerhead and the shower arm away from heater, or it may become damaged and cause injury to the user.

注意事项:

- 一定要先彻底冲洗供水管以清楚管道中的杂质。
- 切换器正常工作的最小压力为0.05MPa(0.5bar)。
- 花洒最高工作压力：0.5MPa(5bar)。水压超过0.5MPa(5bar)须安装减压阀。花洒最高工作温度及环境温度：60°C。请特别注意花洒同花洒连接的臂管须远离浴霸，否则可能损坏花洒及其密封件，甚至对使用者造成伤害。

使用说明

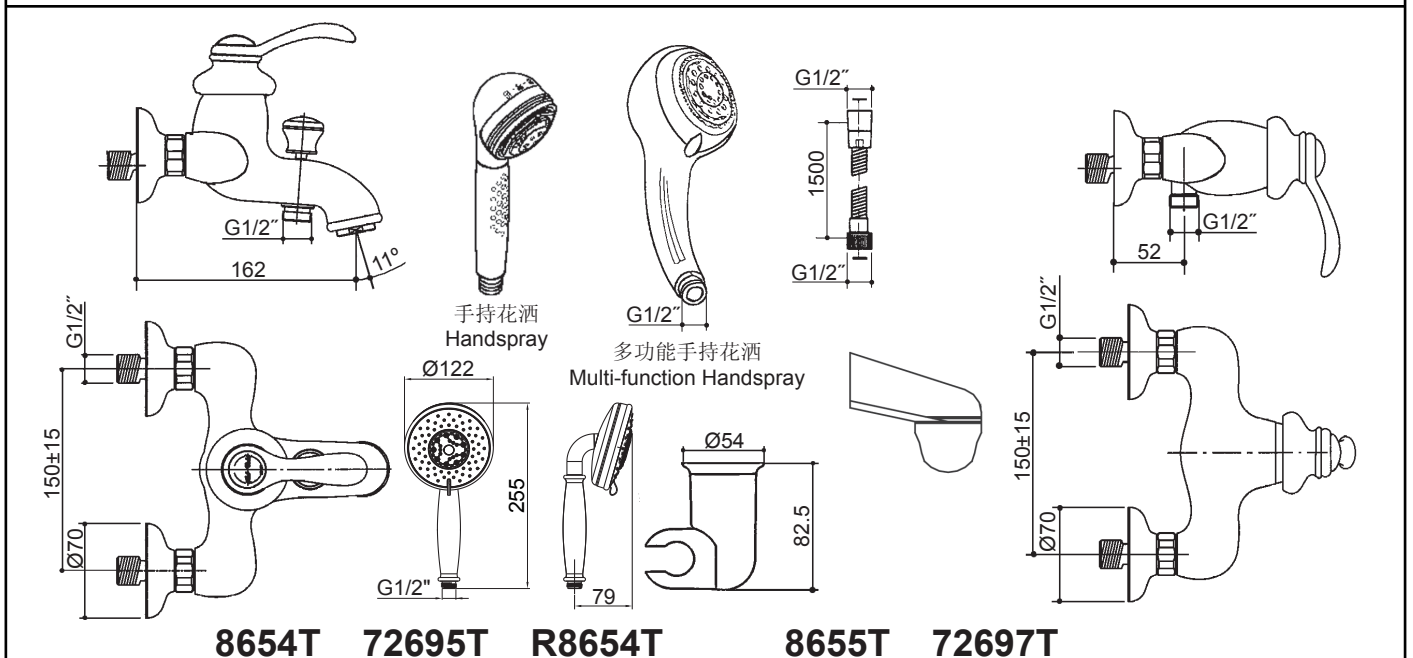
HANDLE OPERATION

将手柄轻轻提起，向左转为热水，右转为冷水。

Lift the handle gently. Turn left for hot water, right for cold water.

安装尺寸

ROUGH-IN DIMENSIONS



8654T 72695T R8654T 8655T 72697T

安装步骤

如何安装水龙头

为使安装顺利，G1/2"内螺纹管道配件(1)应已安装好。预留150mm的间距，保持水平。管道配件要垂直并且不能突出装修好的墙面。热供水管装在左边。

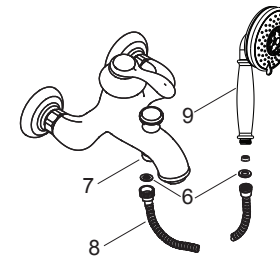
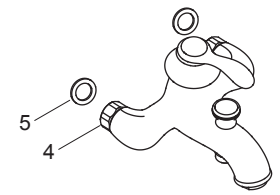
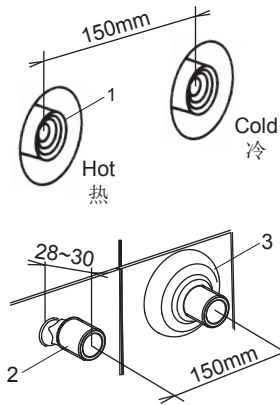
在两个接头(2)涂上螺纹密封膏或缠绕足以密封的密封胶带，旋入冷热供水管中。

调节两个接头，使其中心距离为150mm并保持同一水平。它们凸出墙面的尺寸应该在28到30mm之间。将装饰罩(3)旋入接头，紧贴墙壁。

将垫片(5)放入水龙头螺母(4)中，将螺母旋到接头上。

在锁紧螺母时，须用带状扳手或用软布垫在普通扳手和螺母之间，以保护镀层表面。

用软管(8)带垫片(6)连接出水口(7)与花洒(9)。



INSTALLATION

How To Install The Faucet

To perform installation, installer must provide G1/2" female supply fittings, spaced 150mm apart and level. The supply fittings should be vertical and not beyond the finished wall. Hot supply pipe must be located on the left.

Install the two offset connectors(2) into the hot and cold supply pipes. Use appropriate thread sealants or thread tape on pipe threads.

Adjust the center-to-center distance between the connectors to 150mm and level. They should extend 28 to 30mm beyond the finished wall. Thread the escutcheons(3) onto the connectors until they are against the finished wall.

Put the washers(5) into the nuts(4), thread the nuts to connectors.

When tighten the nuts, use strap wrench or soft cloth between product and regular wrench to protect the finish.

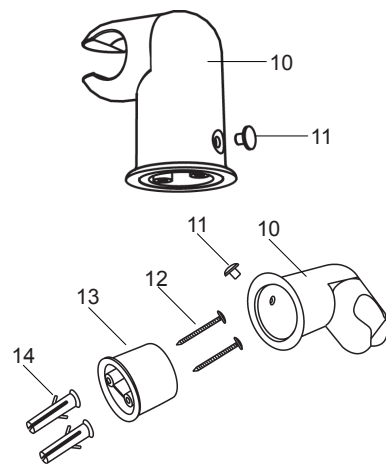
Connect hose(8) to the faucet outlet(7), and to the handspray(9) with washers(6).

如何安装托架

在墙面选一合适的位置来安装托架。

对于CP表面的水龙头：先将固定销(11)从托架(10)上取下，把塑料套(13)拔出。将托架内腔中的自攻螺钉(12)和胀塞(14)取出。

在墙壁上标上安装托架底板位置的记号，按记号钻两个洞。将胀塞插入洞中，然后按照图示将自攻螺钉通过塑料套旋入胀塞中，用螺丝刀拧紧。将托架内壁的凹槽对准塑料套的凸台插入，将按钉按入托架的固定孔中。



How To Install The Bracket

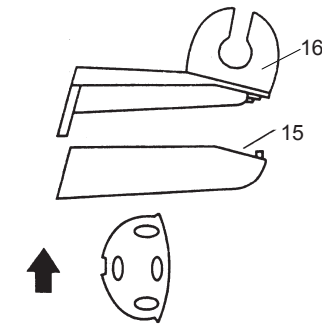
Determine a suitable location on the finished wall to install the bracket.

For the finish with CP : Take off the locking pin(11) from the bracket(10). Take out the self-tapping screws(12) and anchors(14) from the inside of the bracket by pulling out the plastic sleeve(13).

Mark bracket base mounting hole location on the wall. Drill two holes on the finished wall as required. Press the anchors into the holes and screw the self-tapping screws into the anchors through the sleeve. Tighten them by screwdriver. Aline the bulge of the bracket and the slot of the sleeve. Slide the bracket onto the sleeve and insert the locking pin into the hole of bracket and sleeve.

对于其他表面处理的龙头：把托架盖(15)与托架底板(16)撬开。在墙壁标上安装托架底板位置的记号。在墙上钻两个孔，以便于安装胀塞及螺钉。旋紧螺钉，使托架固定贴紧墙壁，用托架盖盖住底板。

将花洒挂在托架上。



安装结果检查

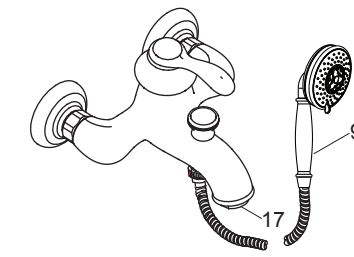
检查并确保所有的衔接处都已拧紧。

确保手柄在“关”的位置。

打开排水系统和主要供水源，检查并修理有漏水的接口。

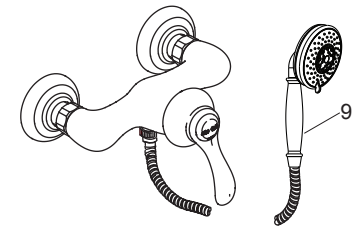
浴缸花洒龙头：

取下花洒(9)和起泡器组件(17)。打开龙头，让冷热水流出约一分钟以清除杂质。检查有无渗漏。清洗起泡器。关闭水龙头，并装回起泡器组件和花洒。



花洒龙头：

取下花洒(9)。打开冷热水，让水流出约一分钟以清除杂质。检查渗漏。关闭水龙头，并装回花洒。



清洗说明

适用于所有加工处理过的表面：以中性肥皂水清洗镀层表面，再以干净的软布彻底擦干整个表面，有许多清洁剂，比如氨水、去污粉及洁厕灵等，会对电镀表面造成伤害，切忌使用。

有磨损性的清洁用具或清洁剂也不可适用于科勒牌的水龙头及其配件上。

CLEANING INSTRUCTIONS

All Finishes: Clean the finish with mild soap and warm water. Wipe entire surface completely dry with clean soft cloth. Many cleaners may contain chemicals, such as ammonia, chlorine, toilet cleaner etc. which could adversely affect the finish and are not recommended for cleaning.

Do not use abrasive cleaners or solvents on Kohler faucets and fittings.

For the other finish: Pry between the bracket cover(15) and bracket base(16) to separate the two parts. Mark bracket base mounting hole locations on wall as shown. Drill two holes in the finished wall as required for the installation rawplugs and screws. Tighten screws to secure bracket base to the finished wall. Replace bracket cover onto bracket base.

Hang the handspray on the shower bracket.

INSTALLATION CHECKOUT

Ensure that all coupling nuts are tight.

Ensure that the handle is in the off position.

Turn on the main water supply, and check for leaks. Repair as needed.

Bath & Shower Faucet:

Remove the handspray(9) and the aerator(17). Run hot and cold water through the faucet for about a minute to remove any debris. Check for leaks. Remove any debris from the aerator assembly. Shut the faucet off, and reinstall the aerator assembly and handspray.

Shower Faucet:

Remove the handspray(9). Run hot and cold water through the faucet for about one minute to remove any debris. Check for leaks. Shut the faucet off, and reinstall the handspray.