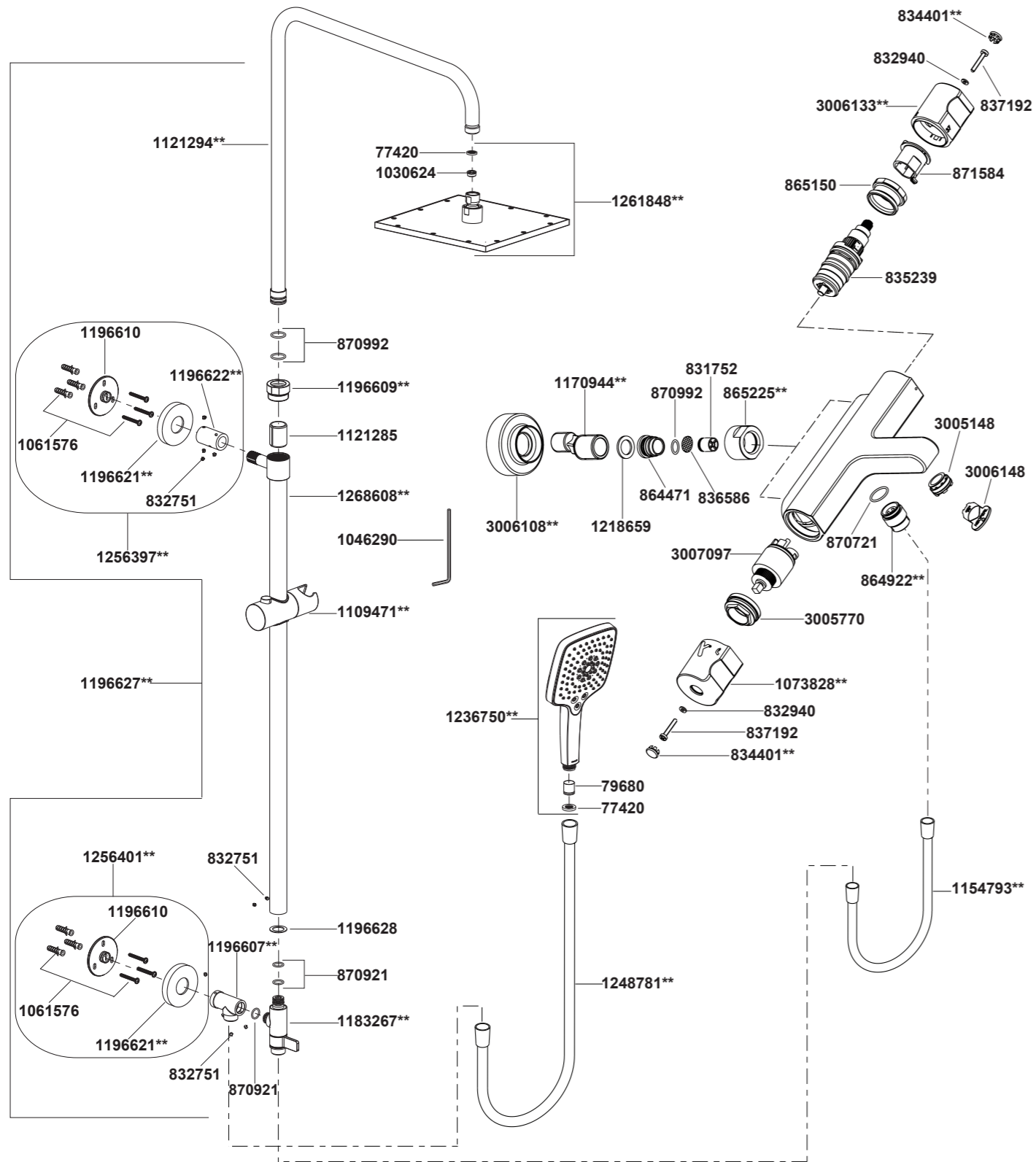


## 72671T-C9 Wall-Mount Thermostatic Bath & Dual Shower Column



\*\*Color code must be specified when ordering

## 72671T-C9 Wall-Mount Thermostatic Bath & Dual Shower Column

### BEFORE YOU BEGIN

All information is based on the latest product information available at the time of publication. Kohler Co. reserves the right to make changes in product characteristics, packaging, or availability at any time without notice.

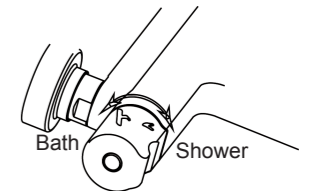
Please leave these instructions for the consumer. They contain important information.

### OPERATION CONDITION

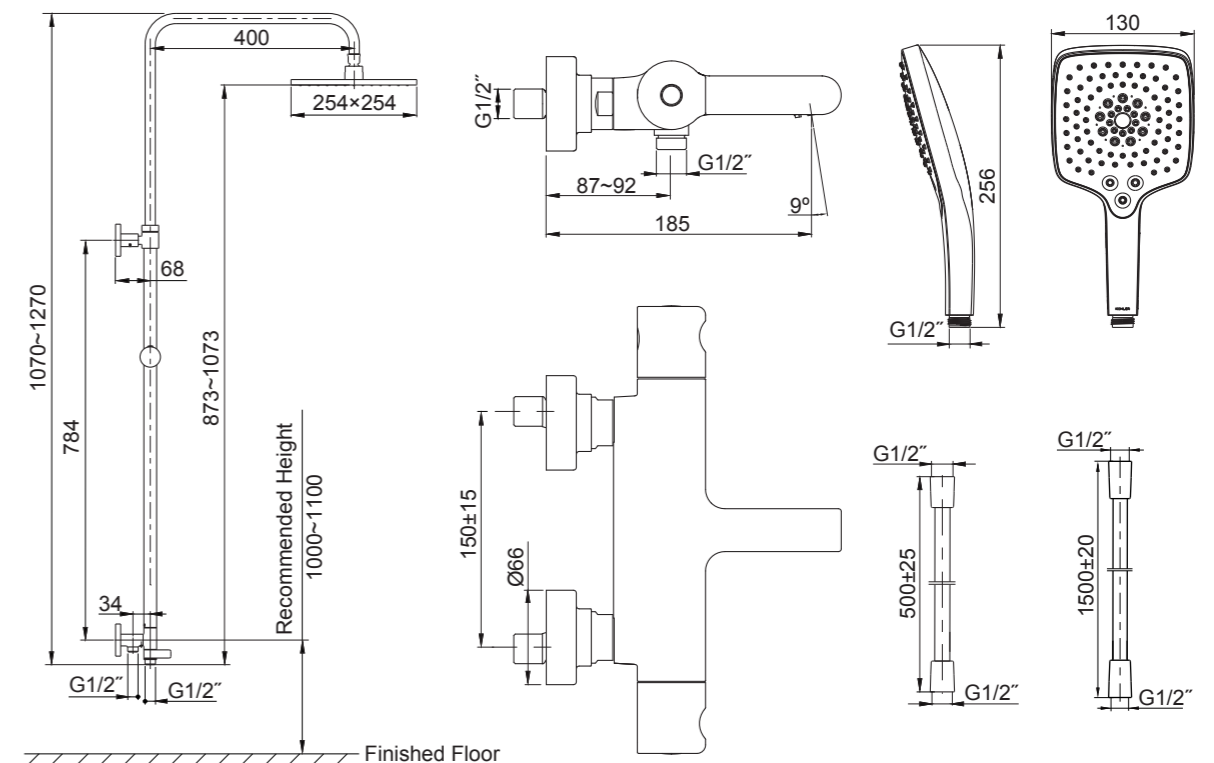
1. Minimum supply pressures: 0.05MPa(0.5bar).
2. Recommended supply static pressures: 0.3MPa(3bar) on hot and cold water.
3. Supply pressure greater than 0.5MPa(5bar): install a pressure reducer.
4. Hot water temperatures, minimum: 50°C, maximum:80°C.
5. Recommended hot water temperature: 65°C(energy-saving).
6. Setting range, approximately: 20°C to 50°C.
7. Safety stop at: 40°C.
8. Maximum mixed water temperature: 50°C.
9. The highest water and environment temperature is 60°C. Please keep handspray, showerhead and the shower arm away from heater, or it may become damaged and cause injury to the user.

### HANDLE OPERATION

1. Turn the diverter handle of the column counter-clockwise, handspray works; turn it clockwise, showerhead works.
2. The temperature is set by slowly turning the temperature selector(right-hand handle). For safety reasons, there is a stop that limits temperature to 40°C. To get a higher temperature, push the button and continue turning the temperature selector.
3. Water flow is set by turning the left-hand handle. Turn the faucet diverter handle counter-clockwise for the bath spout, turn the faucet diverter handle clockwise for the shower, middle position off.



### ROUGH-IN DIMENSIONS



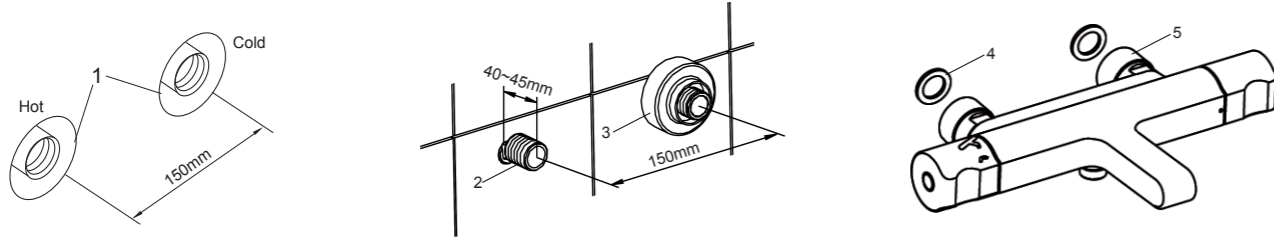
## INSTALLATION

### 1. How to Install the Faucet

To perform installation, installer must provide G1/2" female supply fittings(1), spaced 150mm apart and horizontally. The supply fittings should be vertical and not beyond the finished wall. Hot supply pipe must be located on the left.

Flush the water supply pipes thoroughly to remove debris. Install the two offset connectors(2) into the hot and cold supply pipes. Use appropriate thread sealants or thread tape on pipe threads.

Adjust the center-to-center distance between the connectors to 150mm and horizontally. They should extend 40~45mm beyond the finished wall. Thread the escutcheons(3) onto the connectors until they are against the finished wall. Put the washers(4) into the nuts(5), thread the nuts to connectors. Tighten the nuts with strap wrench or soft cloth between product and regular wrench.



### 2. How to Install the Shower Column

Select a location in vertical wall to install shower column according to rough-in dimensions.

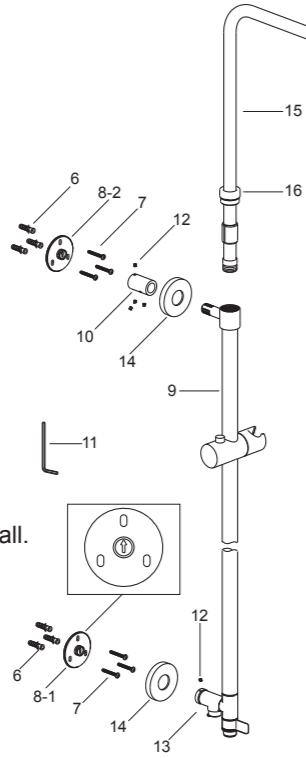
Drill the lower hole as anchors(6) diameter and lower base(8-1) position in the finished wall (**NOTE:** The arrow in the base is upward). Press anchors into the hole, secure the base by the screws(7).

Rehearse the slide bar kit(9) installation for the upper base(8-2) mounting location determination. Slide the tube joint(10) onto the slide bar kit, and connect them to the base(**NOTE:** The arrow in the base is up). Install the screws(12) into the tube joint with the hex wrench(11), and tighten them.

Place the slide bar and the body against the finished wall. Connect the lower base and the diverter body kit(13). Position and tighten them by hex wrench. Mark the hole of upper base(8-2) with a pencil. Uninstall the slide bar kit and tube joint. (**NOTE:** Don't lose the screws.)

Drill holes on the mark. Press the anchors into the holes. Secure the upper base(8-2) by the screws. Install the tube joint(10) to the base(8-2) and tighten them by screws. Reinstall the slide bar kit with escutcheons(14) to the bases. Tighten the screws with the hex wrench. Screw the escutcheons with the bases until against the finished wall.

Install the tube kit(15) into the slide bar kit. Install the nut(16) onto the tube kit with soft cloth between internal hole of the nut and the tube kit. Then screw the nut onto the slide bar kit with strap wrench or soft cloth between the nut and regular wrench.

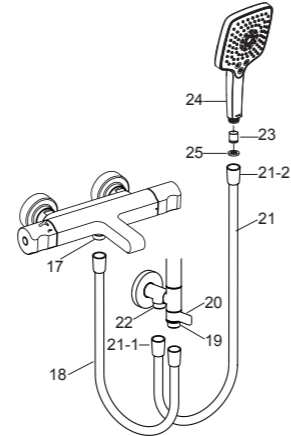


### 3. How to Install the Handspray & Hose

Remove the guards on the outlet connectors of 500mm length hose(18). Connect the outlet(17) to the connector(19) with the hose(18), and tighten.

Turn the diverter handle(20), run hot and cold water for about one minute to remove any debris.

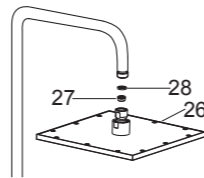
Remove the guards on the outlet connectors of 1500mm length hose(21). Tighten one connector(21-1) of the hose(21) to the connector(22). Put the check valve(23) into the handspray(24) inlet if needed. Remove the washer from another connector(21-2), replace with the washer(25). Tighten the handspray to the connector(21-2) of the hose.



### 4. How to Install the Showerhead

Turn the diverter handle(20), run hot and cold water for about one minute to remove any debris before the shower head(26) is installed.

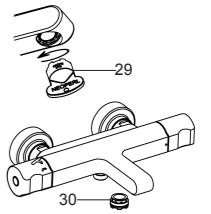
Take out the washer(28) and install the restrictor(27) into the showerhead as shown if needed, reinstall the washer. Tighten the showerhead onto the tube kit outlet with strap wrench.



## INSTALLATION CHECKOUT

Ensure that all connections are tight. Ensure that the handles are in the off position. Turn on the drain and main water supply, and check for leaks. Repair as needed.

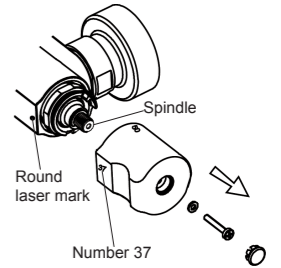
Remove the aerator(30) with the key(29) provided. Run hot and cold water through spout about one minute to remove any debris. Clean the aerator assembly. Shut off the faucet. Reinstall the aerator assembly.



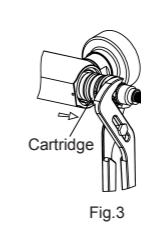
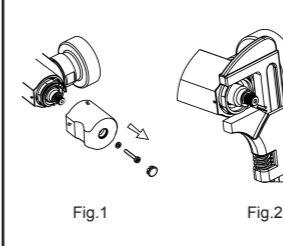
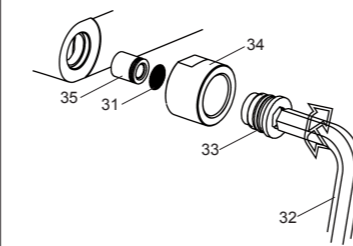
## OPERATION INSTRUCTIONS

### Verification and Setting

Make sure that the water feeds of the faucet have reach their highest temperature by letting the water run sufficiently. With the selector in position 37°C, the temperature of the water coming out of the faucet must be within a range of 36°C and 38°C, as measured by a thermometer. If this is not the case, the installer can adjust the setting. Proceed with the setting as follows: Uninstall handle kit. With the faucet on "cold" normal water flow, slowly turn the temperature selector (always in the same direction) until water at 37°C is obtained. If the temperature goes over 38°C, go back to the "cold" setting and set again. When the temperature is stabilized, without turning the cartridge spindle, make sure the reference number 37 mark on the temperature handle aligned with the round laser mark on the body. Tighten the screw with the screwdriver, put on the plug.



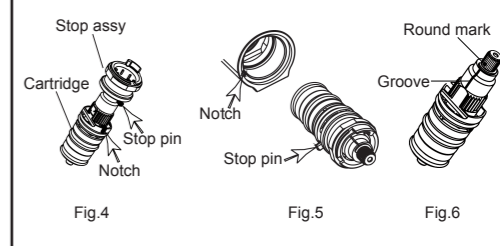
## CARE AND MAINTENANCE



The filters(31) protecting the faucet device may get obstructed and reduce water flow. When this happens, unscrew the bushes(33, left thread) by a wrench(32, 12mm) and take out the nuts(34), filters(31) and the check valves(35) after removing the faucet. Clean the filters by soaking them in warm vinegar. Reinstall them as the figure. (**Note:** Check valves should reinstall as original orientation).

Very hard water can obstruct the filters protecting the thermostatic cartridge and reduce the flow of water. Please clean the cartridge as follows: Shut off the water supply of the faucet and open the water flow handle, then proceed to remove the cartridge. The cartridge is sensitive, please be careful.

Make sure the reference mark is aligned with number 37 before your action. Remove the handle kit(Fig.1), unscrew the nut and stopper(Fig.2). Removing the cartridge cautiously(Fig.3). Clean the thermostatic cartridge by soaking it in warm vinegar.



After cleaning, install the "stop assy" back on the cartridge, adjusting the stop pin into the notch(Fig.4). Install the assy cartridge and stop in the body, adjusting the stop pin into the notch(Fig.5). **NOTE:** Do not turn the cartridge when reinstall it. If you turned it without carefully, you should adjust it and be sure that the round mark is correctly in line with the groove(Fig.6), or readjust as per the steps of verification and setting.

Install the temperature selector(without turning the spindle). Align the reference number 37 mark on the temperature handle with the round laser mark on the body. Tighten the handle with the screw. Put on the plug.

## CLEANING INSTRUCTIONS

All Finishes: Clean the finish with mild soap and warm water. Wipe entire surface completely dry with clean soft cloth. Many cleaners may contain chemicals, such as ammonia, chlorine, toilet cleaner etc. which could adversely affect the finish and are not recommended for cleaning.

Do not use abrasive cleaners or solvents on Kohler faucets and fittings.