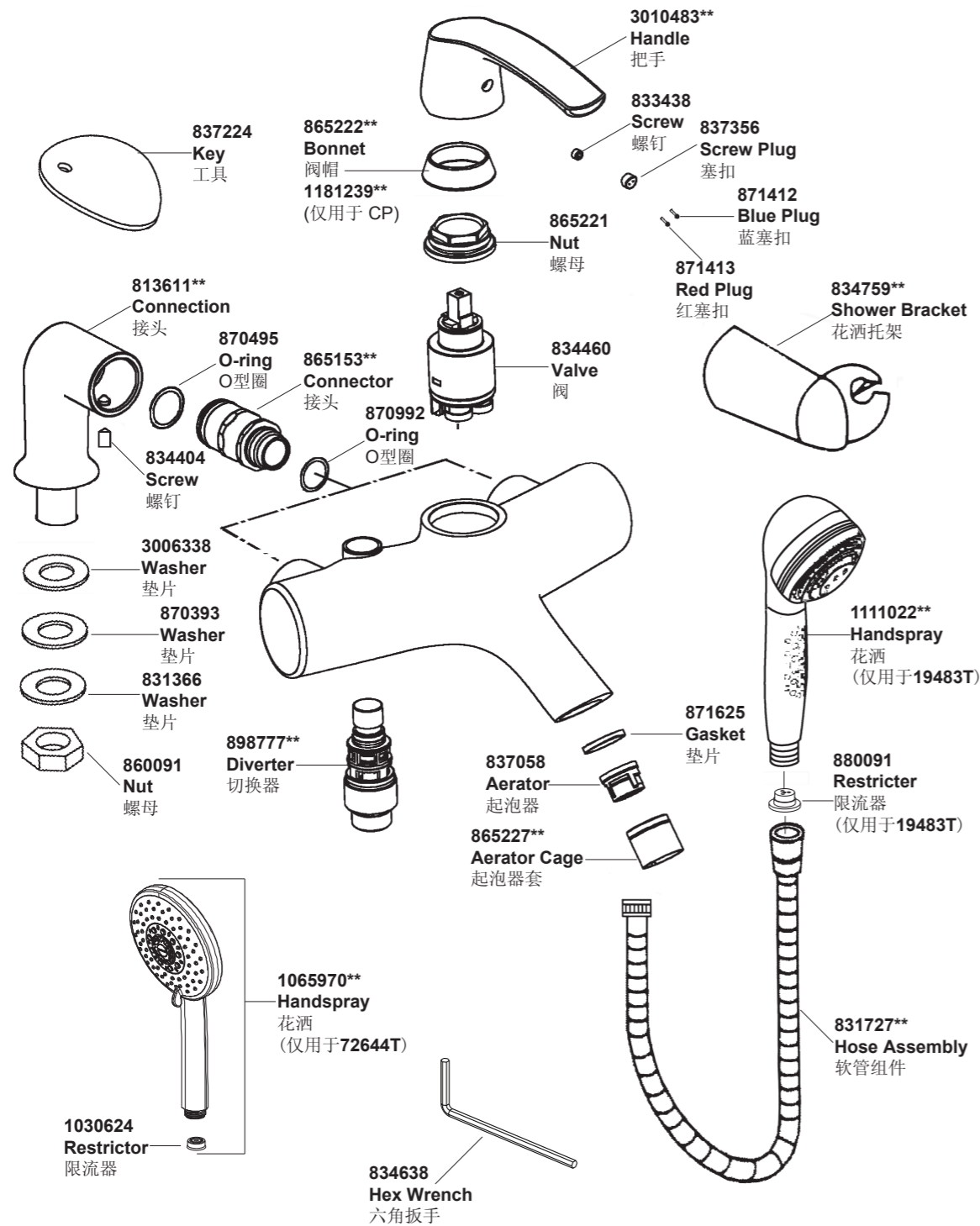


19483T 72644T 缸边式浴缸花洒龙头



\*\*订购时请说明颜色编号  
\*\*Color code must be specified when ordering

19483T 72644T 缸边式浴缸花洒龙头

**安装之前**

所有的资料是按最新出版的产品资料编写而成。科勒公司保留任何时候不经通知即可改变产品特性、包装或产品可供类型的权利。

说明书包括重要的安装、保养及清洁方面的内容，请把这些资料交给用户阅读。

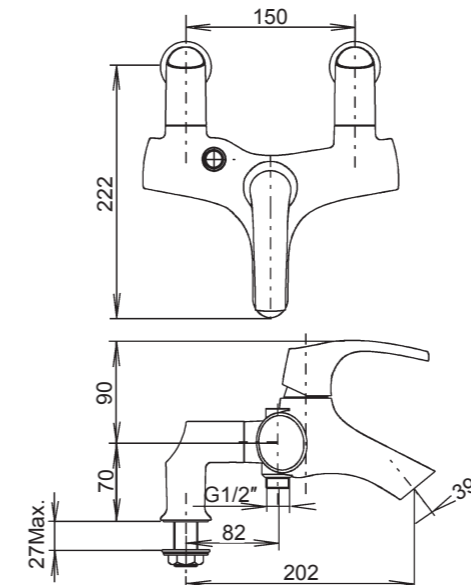
**注意事项：**

1. 一定要先彻底冲洗供水管以清除管道中的杂质。
2. 检查供水管有无损坏。如需要，进行替换。
3. 遵守当地管路安装条例。
4. 花洒最高工作压力：0.5MPa(5bar)。水压超过0.5MPa(5bar)须安装减压阀。花洒最高工作温度及环境温度：60°C。请特别注意花洒同花洒连接的臂管须远离浴霸，否则可能损坏花洒及其密封件，甚至对使用者造成伤害。

**使用说明**

将手柄轻轻提起，向左转为热水，右转为冷水。

**安装尺寸**



**BEFORE YOU BEGIN**

All information is based on the latest product information available at the time of publication. Kohler Co. reserves the right to make changes in product characteristics, packaging, or availability at any time without notice.

Please leave these instructions for the consumer. They contain important information.

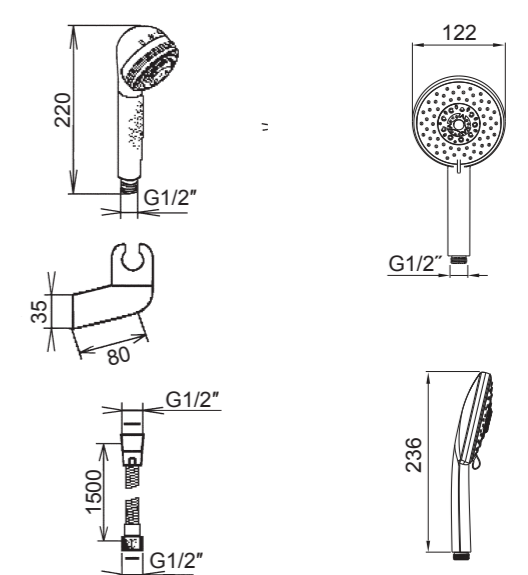
**NOTES:**

1. Flush the water supply pipes thoroughly to remove debris.
2. Inspect the supply tubing for damage. Replace as necessary.
3. Observe local plumbing codes.
4. The highest working pressure for handspray is 0.5MPa(5 bar). If it exceeds 0.5MPa(5 bar), a pressure reducer is needed. The highest water and environment temperature is 60°C. Please keep handspray, showerhead and the shower arm away from heater, or it may become damaged and cause injury to the user.

**HANDLE OPERATION**

Lift the handle gently. Turn left for hot water, right for cold water.

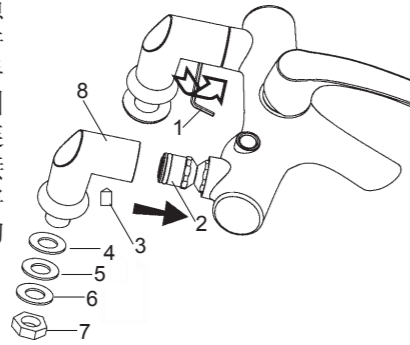
**ROUGH-IN DIMENSIONS**



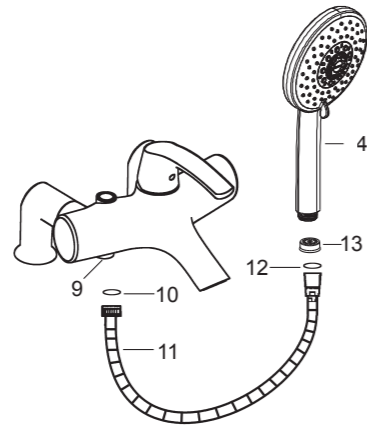
## 安装步骤

### 如何安装水龙头

将连接件(2)旋入到本体的进水孔中锁紧。再将缸边连接座(8)安装到连接件(2)上,调整好位置如图所示。用扳手(1)将固定螺钉(3)拧进缸边连接件的固定孔中并锁紧。将垫片(4)装入缸边连接座的沟槽中,然后将龙头缸边连接座的下部装入浴缸安装孔中,从下方将垫片(5)(6)、螺母(7)旋到缸边连接座的牙管上。拧紧螺母(7)。



将垫片(10)安装在软管(11)和出水口(9)间。限流器(13)安装在软管(11)与花洒(14)之间。垫片(12)安装在花洒与软管之间。然后锁紧所有衔接螺母。

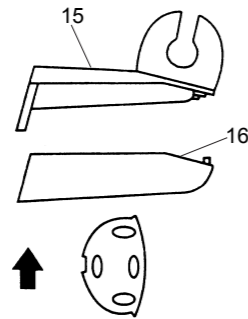


### 如何安装托架

在垂直面的墙壁,选一个合适的高度来安装托架。

把托架盖(16)与托架底板(15)撬开。

在墙壁标记上安装托架底板位置的记号。在墙上钻两个孔,以便于安装胀塞及螺钉。旋紧螺钉,使托架固定贴紧墙壁,用托架盖盖住底板。



将花洒挂在托架上。

## INSTALLATION

### How To Install The Faucet

Thread the connector(2) into the inlet hole of the body and tighten. Then install the deck-mount connection(8) onto the connector(2) and adjust the position as shown. Put the fixing screw(3) into the hole of the connection and tighten with wrench(1). Put the washer(4) into the groove of the deck-mount connection, and then install the connections into the hole of the bathtub. Thread the washer(5)(6),nut(7) onto the shank of the connection from the underside of the bath tub. Tighten the nut(7).

Put the washer(10) between hose(11) and shower outlet(9). Put the water flow restricter(13) between hose(11) and handspray(14). Provide washer(12) between the hose and handpray. Tighten all the connections.

### How To Install The Bracket

Select a location on vertical wall within reach of the shower hose to install shower bracket.

Pry between the bracket cover(16) and base(15) to separate the two parts.

Mark bracket base mounting hole locations on wall as shown. Drill two holes in the finished wall as required for the installation anchors and screws. Tighten screws to secure bracket base to the finished wall. Replace bracket cover onto bracket base.

Hang the handspray on the shower bracket.

## 安装结果检查

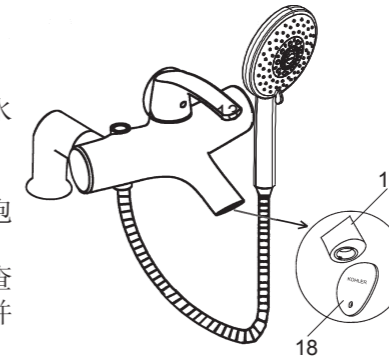
检查并确保所有衔接螺母都已拧紧,确保把手在“关”的位置。

确定手柄在向下的位置如右图所示。

打开主要供水源,检查并修理有漏水的接口。

取下花洒并用附带的工具(18)取下起泡器组件(17)和花洒。把冷热水都打开,让水流约一分钟以清除杂质。检查渗漏。清洗起泡器。关闭水龙头,并装回起泡器组件和花洒。

**注意:** 切换器正常工作的最小压力为0.05MPa(0.5bar)。



## 清洗说明

适用于所有加工处理过的表面:以中性肥皂水清洗镀层表面,再以干净的软布彻底擦干整个表面,许多清洁剂,比如氨水、去污粉及洁厕灵等,会对电镀表面造成伤害,切忌使用。

有磨损性的清洁用具或清洁剂也不可适用于科勒牌的水龙头及其配件上。

## INSTALLATION CHECKOUT

Ensure all coupling nuts are tight. Ensure that handle is in the off position.

Ensure that the lever handle is in the down position as shown.

Turn on main water supply. Check for leaks. Repair as required.

Remove the handspray and remove the aerator(17) by key(18). Run hot and cold water through the faucet for about a minute to remove any debris. Check for leaks. Remove any debris from the aerator assembly. Shut the faucet off, and reinstall the aerator assembly and handspray.

**NOTE:** The minimum inlet water pressure for the diverter is 0.05MPa(0.5bar).

## CLEANING INSTRUCTIONS

All Finishes: Clean the finish with mild soap and warm water. Wipe entire surface completely dry with clean soft cloth. Many cleaners may contain chemicals, such as ammonia, chlorine, toilet cleaner etc. which could adversely affect the finish and are not recommended for cleaning.

Do not use abrasive cleaners or solvents on Kohler faucets and fittings.