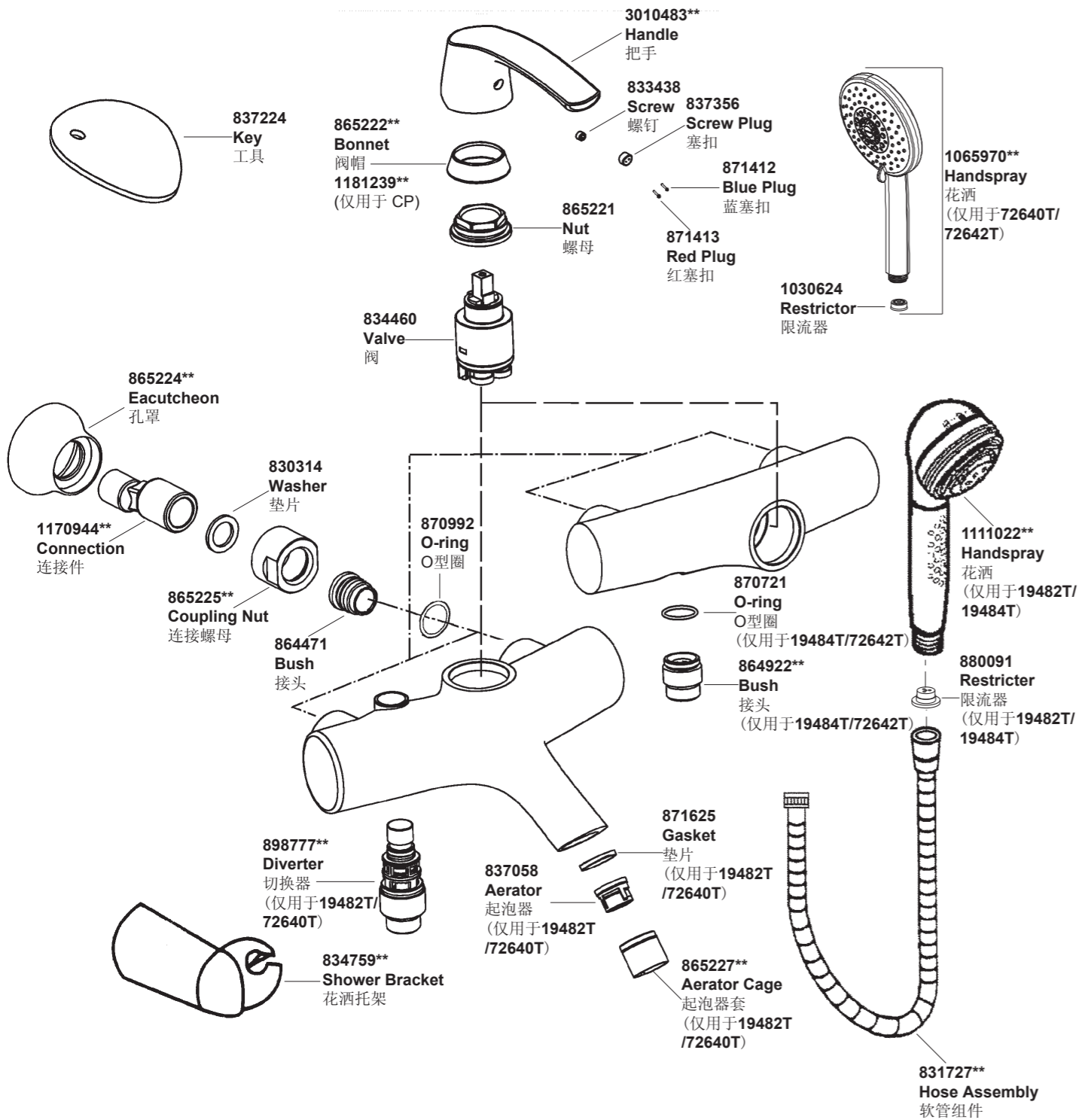


19482T 72640T 挂墙式浴缸花洒龙头
19484T 72642T 挂墙式花洒龙头



**订购时请说明颜色编号
**Color code must be specified when ordering

19482T 72640T 挂墙式浴缸花洒龙头
19484T 72642T 挂墙式花洒龙头

安装之前

所有的资料是按最新发布的产品资料编写而成。科勒公司保留任何时候不经通知即可改变产品特性、包装或产品可供类型的权利。

说明书包括重要的安装、保养及清洁方面的内容，请把这些资料交给用户阅读。

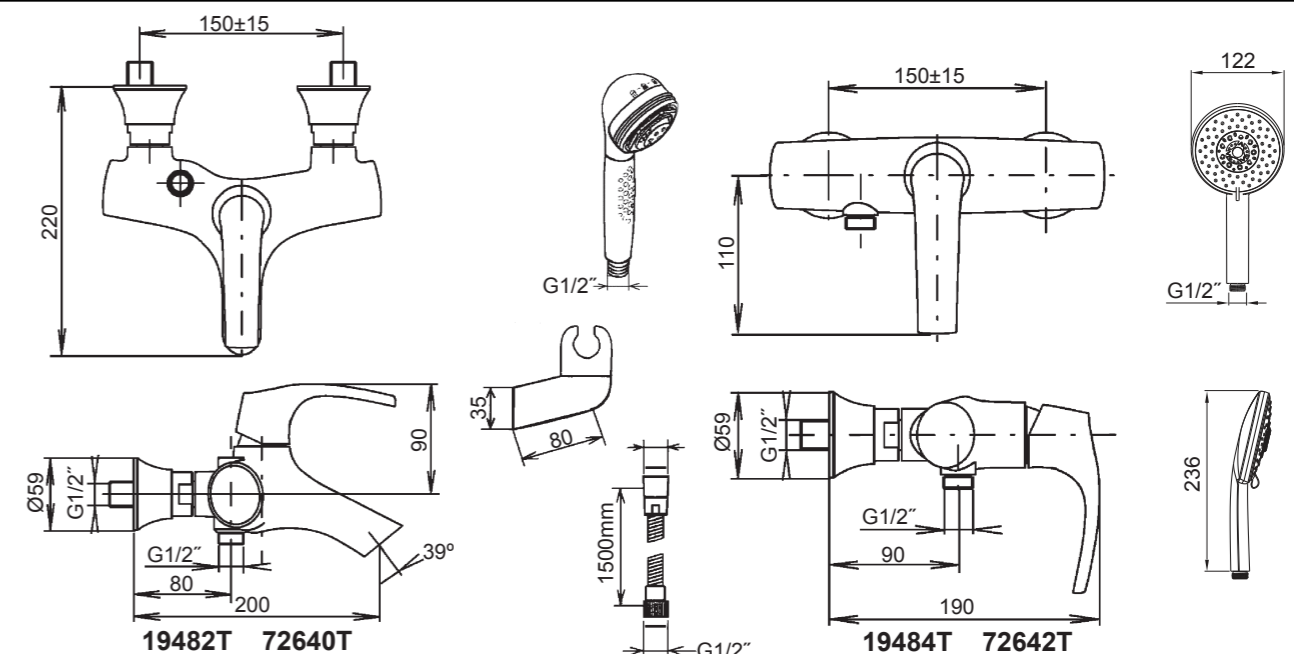
注意事项：

1. 一定要先彻底冲洗供水管以清楚管道中的杂质。
2. 遵守当地管路安装条例。检查供水管有无损坏。如需要，进行替换。
3. 花洒最高工作压力：0.5MPa(5bar)。水压超过0.5MPa(5bar)须安装减压阀。花洒最高工作温度及环境温度：60°C。请特别注意花洒同花洒连接的臂管须远离浴霸，否则可能损坏花洒及其密封件，甚至对使用者造成伤害。

使用说明

将手柄轻轻提起，向左转为热水，向右转位冷水。

安装尺寸



BEFORE YOU BEGIN

All information is based on the latest product information available at the time of publication. Kohler Co. reserves the right to make changes in product characteristics, packaging, or availability at any time without notice. Please leave these instructions for the consumer. They contain important information.

NOTES:

1. Flush the water supply pipes thoroughly to remove debris.
2. Observe local plumbing codes. Inspect the supply tubing for damage. Replace as necessary.
3. The highest working pressure for handspray is 0.5MPa(5 bar). If it exceeds 0.5MPa(5 bar), a pressure reducer is needed. The highest water and environment temperature is 60°C. Please keep handspray, showerhead and the shower arm away from heater, or it may become damaged and cause injury to the user.

HANDLE OPERATION

Lift the handle gently. Turn left for hot water, right for cold water.

ROUGH-IN DIMENSIONS

安装说明

安装水龙头

为使安装顺利，G1/2"内螺纹管道配件(1)应已装好，预留150mm的间距，保持水平，不要凸出墙面。

彻底冲洗供水管，以清除管路中的杂质。

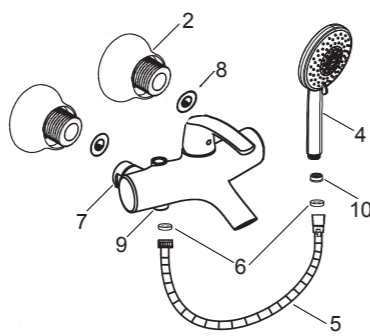
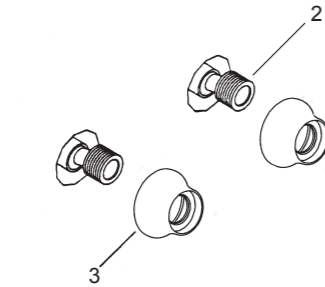
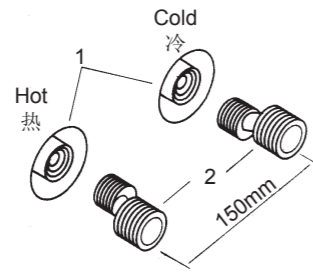
使用合适的螺纹密封膏，安装两个接头(2)到冷热供水管。保持两个接头中心到中心的距离150mm，并调整到同一水平线上。两接头伸出墙壁的长度控制在40~45mm之间。

将装饰罩(3)旋入接头，紧贴墙壁。

将密封垫片(8)放入水龙头的螺母内。将螺母(7)穿过接头(2)，并拧紧。

注意：在锁紧螺母时，须用带状扳手或软布垫在普通扳手和螺母之间，以保护电镀表面。

将垫片(6)安装在淋浴软管(5)和出水口(9)间。将限流器(10)塞入花洒(4)进水口。垫片安装在花洒与软管间。然后锁紧所有衔接螺母。



INSTALLATION

Install The Faucet

To perform installation, installer must provide G1/2" female supply fittings(1), space 150mm apart, level and not extend beyond finished wall surface.

Flush the water supply pipes thoroughly to remove debris.

Install the two offset connectors(2) into the HOT and COLD supply pipes. Use appropriate thread sealants on pipe threads. Adjust the center-to-center distance between the connectors to 150mm and level. They should extend 40~45mm beyond the finished wall.

Thread the escutcheons(3) onto the connectors so that the escutcheons contact the finished wall.

Put washers(8) into supply nuts(7) of the faucet. Thread the faucet supply nuts onto the connectors(2) and tighten.

NOTE: When tighten the nut, use strap wrench or soft cloth between product and regular wrench to protect the finish.

Put the washer(6) between hose(5) and shower outlet(9). Put the restrictor(10) into the handspray(4) inlet. Provide washer between the hose and handspray. Tighten all the connections.

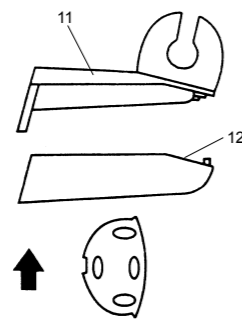
如何安装托架

在垂直面的墙壁，选一个花洒能够着的位置来安装托架。

把托架盖子(12)与底板(11)撬开。

在墙壁标记安装托架底板的位置。然后在墙上钻两个孔，以便于安装螺钉及铰钉。旋紧螺钉，固定托架，并使其紧贴墙壁。

用托架盖子盖住底板。把花洒挂在托架上。



How To Install The Shower Bracket

Select a location in vertical wall within reach of the shower hose to install shower bracket.

Pry between the bracket cover(12) and base(11) to separate the two parts.

Mark bracket base mounting hole locations on wall as shown. Drill two holes in the finished wall as required, for the installation screws and anchors. Tighten screws to secure bracket base to the finished wall.

Replace bracket cover onto bracket base. Hang the handspray on the shower bracket.

安装结果检查

检查并确保所有的衔接处都已拧紧。

确保手柄在“关”的位置。

打开排水系统和主要供水源，检查并修理有漏水的接口。

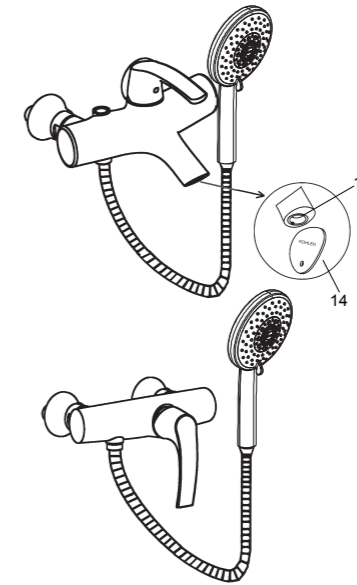
浴缸花洒龙头：

取下花洒，用附带的工具(14)取下起泡器组件(13)。打开冷热水，让水流出约一分钟以清除杂质。检查渗漏。清洗起泡器。关闭水龙头，并装回起泡器和花洒。

注意：切换器正常工作的最小压力为0.05MPa(0.5bar)。

花洒龙头：

取下花洒。打开冷热水，让水流出约一分钟以清除杂质。检查渗漏。关闭水龙头，并装回花洒。



INSTALLATION CHECKOUT

Ensure that all coupling nuts are tight.

Ensure that the handle is in the off position.

Turn on the main water supply, and check for leaks. Repair as needed.

Bath & Shower Faucet:

Remove the handspray and remove the aerator(13) by key(14). Run hot and cold water through the faucet for about a minute to remove any debris. Check for leaks. Remove any debris from the aerator assembly. Shut the faucet off, and reinstall the aerator assembly and handspray.

NOTE: The minimum inlet water pressure for the diverter is 0.05MPa(0.5bar).

Shower Faucet:

Remove the handspray. Run hot and cold water through the faucet for about one minute to remove any debris. Check for leaks. Shut the faucet off, and reinstall the handspray.

清洗说明

适用于所有加工处理过的表面：以中性肥皂水清洗镀层表面，再以干净的软布彻底擦干整个表面，许多清洁剂，比如氨水、去污粉及洁厕灵等，会对电镀表面造成伤害，切忌使用。

有磨损性的清洁用具或清洁剂也不可适用于科勒牌的水龙头及其配件上。

CLEANING INSTRUCTIONS

All Finishes: Clean the finish with a mild soap and warm water. Wipe entire surface completely dry with clean soft cloth. Many cleaners may contain chemicals, such as ammonia, chlorine, toilet cleaner etc. which could adversely affect the finish and are not recommended for cleaning.

Do not use abrasive cleaners or solvents on Kohler faucets and fittings.