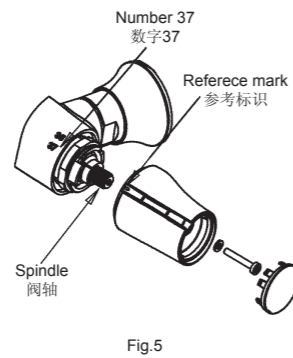


## 温度测试与调整

在温度测试前，应确保供水系统充分且有较高的温度。温控把手在37度位置时，打开龙头让水流出。进行温度测量，出厂时温度设定在36~38度范围内。如超出这个范围，要进行调整。调整的步骤如下：



取下把手上盖，用螺丝刀取下螺钉和温控把手组件。在正常水流状态下，由冷水位置开始慢慢转动温控阀轴(保持同一方向)直至获得37度的水流。如果温度超过38度，回到冷水位置重新调整。

温度稳定后，不要转动温控阀轴，安装温控把手，使温控把手的参考标识与数字37对齐。锁紧螺钉，安装把手上盖(图Fig.5)。

## Verification And Setting

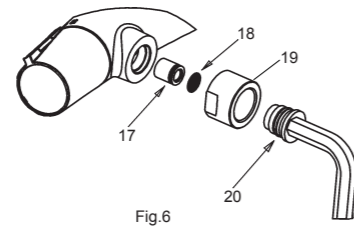
Make sure that the water feeds of the faucet have reached their highest temperature by letting the water run sufficiently. With the selector in position 37°C, the temperature of the water coming out of the faucet must be within a range of 36°C and 38°C, as measured by a bath thermometer. If this is not the case, the installer can adjust the setting. Proceed with the setting as follows:

Uninstall handle kit. With the faucet on 'cold' normal water flow, slowly turn the temperature selector(always in the same direction) until water at 37°C is obtained. If the temperature goes over 38°C, go back to the 'cold' setting and set again.

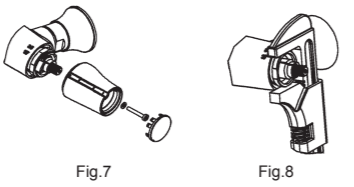
When the temperature is stabilized, without turning the cartridge spindle, make sure the reference mark of the temperature handle aligned with the number37. Tighten the screw, put on the handle plug. See fig.5.

## 维护与保养

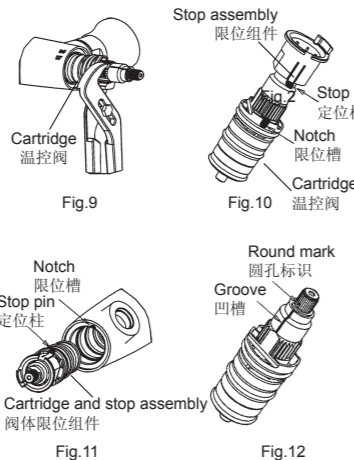
滤网垫片(18)可起到保护龙头的作用，但长时间使用后水垢或杂质可能会堵塞滤网降低水流量。如有类似情况发生，卸下龙头，用六角扳手(12mm)将底座(20,顺时针)拧下，取下螺母(19)、滤网垫片(18)和单向阀(17)。用热醋清洗滤网。然后按照图示装回。(注意：单向阀必须按原方向装回)。



如果供水的水质较硬或长时间使用，水垢或杂质会阻塞温控阀上的滤网，流量会降低。需要清理请按照下列步骤进行：关闭供水系统，使流量阀处于打开位置后进行温控阀拆卸作业。温控阀是较敏感的配件，所以要十分小心。



拆卸前确保指示标识与数字37对齐。拆卸把手组件(Fig.7)，然后将螺母和塑料套卸下(Fig.8)。小心地卸下温控阀(Fig.9)。用热醋进行清洗。清洗后，将塑料套和螺母(限位组件)装到温控阀上面，使塑料套的定位柱嵌入温控阀的限位槽内(Fig.10)。然后将塑料套的定位柱与龙头本体孔凹槽对齐，装入温控阀并锁紧螺母(Fig.11)。



## CARE AND MAINTENANCE

The filters(18) protecting the faucet device may get obstructed and reduce water flow. When this happens, unscrew the bushes(20, left thread) by a wrench(12mm) and take out the nuts(19), filters(18) and the check valves(17) after removing the faucet. Clean the filters by soaking them in warm vinegar. Reinstall them as the figure.(Note: Check valves should reinstall as original orientation).

Very hard water can obstruct the filters protecting the thermostatic cartridge and reduce the flow of water. Please clean the cartridge as follows: Shut off the water supply of the faucet and open the water flow handle, then proceed to remove the cartridge. The cartridge is sensible, please be careful.

Make sure the reference mark is aligned with number 37 before your action. Remove the handle kit(Fig.7), unscrew the nut and stopper(Fig.8). Removing the cartridge cautiously(Fig.9). Clean the thermostatic cartridge by soaking it in warm vinegar. After cleaning, install the 'stop assembly' back on the cartridge, adjusting the stop pin into the notch (Fig.10). Install the assembly cartridge and stop in the body, adjusting the stop pin into the notch(Fig.11).

# KOHLER®

## INSTALLATION INSTRUCTIONS

### 安装说明书

# 星珀

## SYMBOL

### Wall-Mount Thermostatic

19485T 72641T 挂墙式恒温浴缸花洒龙头  
19487T 72643T 挂墙式恒温花洒龙头

## 安装之前

所有的资料是按最新出版的产品资料编写而成。科勒公司保留任何时候不经通知即可改变产品特性、包装或产品可供类型的权利。

说明书包括重要的安装、保养及清洁方面的内容，请把这些资料交给用户阅读。

## BEFORE YOU BEGIN

All information is based on the latest product information available at the time of publication. Kohler Co. reserves the right to make changes in product characteristics, packaging, or availability at any time without notice. Please leave these instructions for the consumer. They contain important information.

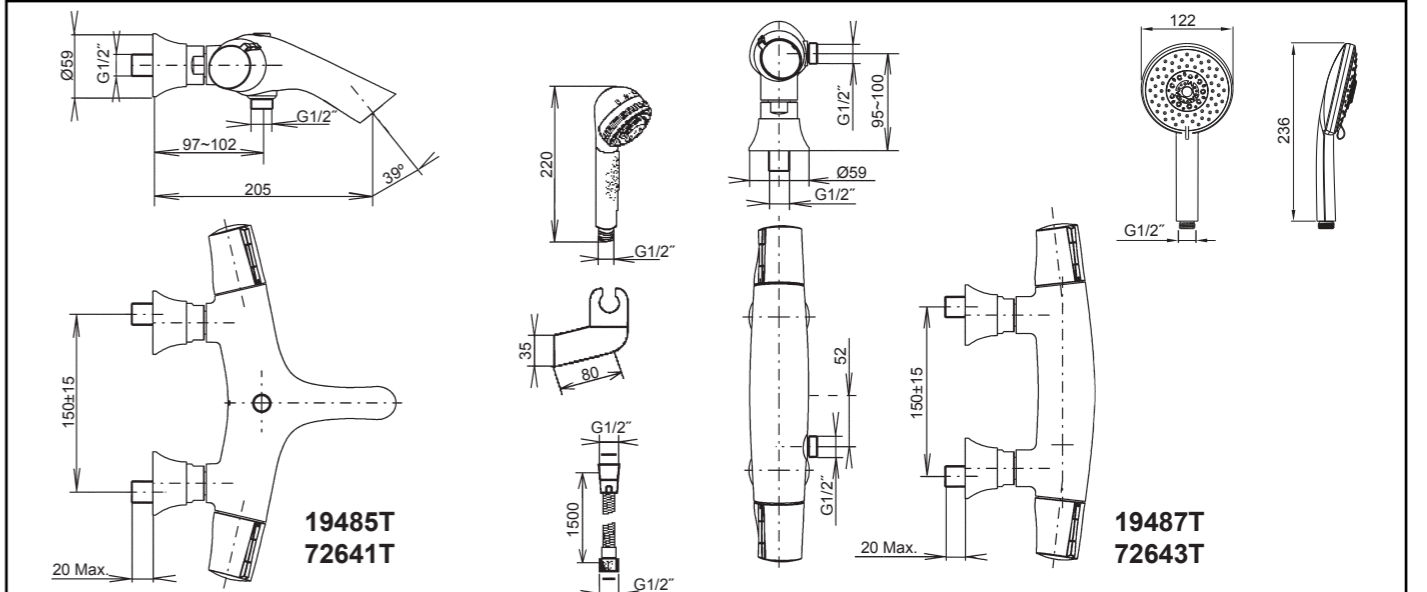
## 使用环境

1. 最小供水压力：0.5bar(0.05MPa)。
2. 推荐冷热供水的静态压力：3bar(0.3MPa)。
3. 如果供水压力大于5bar(0.5MPa)，安装减压阀。
4. 热供水温度最低：50°C；最高：80°C。
5. 推荐的热供水温度：65°C。
6. 温度的设定基本范围为：20°C到50°C。
7. 安全限位温度：40°C。
8. 冷热供水压力差不大于2bar(0.2MPa)。
9. 花洒最高使用环境温度：60°C。请特别注意花洒同花洒连接的臂管必须远离加热器，否则可能损坏花洒及其密封件，甚至对使用者造成伤害。

## OPERATION CONDITION

1. Minimum supply pressures: 0.5bar(0.05MPa).
2. Recommended supply static pressures: 3bar(0.3MPa) on hot and cold water.
3. Supply pressure greater than 5bar(0.5MPa) : install a pressure reducer.
4. Hot water temperatures, minimum: 50°C, maximum:80°C.
5. Recommended hot water temperature: 65°C (energy-saving).
6. Setting range, approximately: 20°C to 50°C.
7. Safety stop at: 40°C.
8. Pressure difference between hot and cold supply: 2bar(0.2MPa) maximum..
9. The highest environment temperature for handspray & showerhead is 60°C. Please keep handspray, showerhead and the shower arm away from heater, or it may become damaged and cause injury to the user.

## 安装尺寸



## 安装步骤

### 如何安装水龙头

为使安装顺利，G1/2"内螺纹管道配件应已安装好。预留150mm的间距，保持水平，不要凸出墙面。热供水管装在左边。

在两个接头(1)涂上螺纹密封膏或缠绕足以密封的密封胶带，旋入冷热供水管中。

调节两个接头，使其中心距为150mm并保持同一水平。他们凸出墙面的尺寸应该在40到45mm之间。将装饰罩(2)旋入接头，紧贴墙壁。

将垫片(3)放入水龙头螺母(4)中，将螺母旋到接头上，并用扳手(5)拧紧。

在锁紧螺母时，须用带状扳手或用软布垫在普通扳手和螺母之间，以保护镀层表面。

将垫片(6)安装在软管(8)与出水口(9)之间。限流器(7)塞入花洒(12)进水口。垫片安装在花洒与软管之间。然后锁紧所有衔接螺母。

### 安装结果检查

确保所有衔接螺母都已锁紧。确保把手处于关闭的位置。开启主水源，检查是否有漏水。如有漏水，修理之。

### 浴缸花洒龙头：

取下花洒，用工具(13)卸下起泡器。将流量把手旋转到开的位置，慢慢旋转温控把手。让水流出约一分钟，以清除杂质。关闭龙头，并装回花洒(12)，垫片(14)，起泡器(10)和起泡器套(11)。

### 花洒龙头：

取下花洒，打开水流把手，慢慢旋转温控把手。让水流出约一分钟，以清除杂质。关闭龙头，并装回花洒。

## INSTALLATION

### How To Install The Faucet

To perform installation, installer must provide G1/2" female supply fittings, spaced 150mm apart, level and not extending beyond the finished wall surface. Hot supply pipe must be located on the left.

Install the two offset connectors(1) into the hot and cold supply pipes. Use appropriate thread sealants or thread tape on pipe threads.

Adjust the center-to-center distance between the connectors to 150mm and level. They should extend 40 to 45mm beyond the finished wall. Thread the escutcheon(2) onto the connectors until they are against the finished wall.

Put washer(3) into nut(4) and tighten the nut with tool(5).

When tighten the nut, use strap wrench or soft cloth between product and regular wrench to protect the finish.

Put the washer(6) between hose(8) and shower outlet(9). Put the restrictor(7) into the handspray(12) inlet. Provide washer between the hose and handprayer. Tighten all the connections.

Fig.1

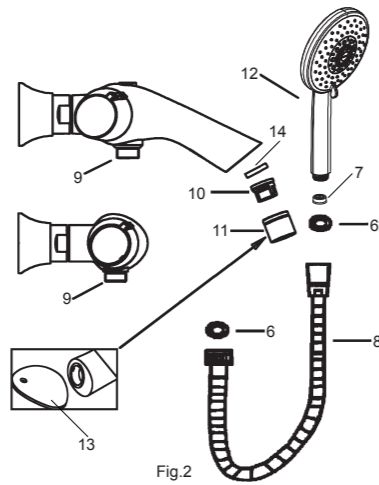
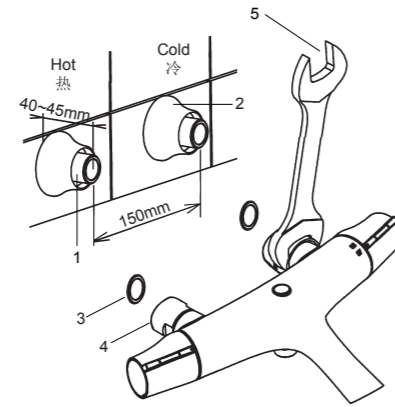


Fig.2

### INSTALLATION CHECKOUT

Ensure that all coupling nuts are tight and the water flow handle is in the close position. Turn on the main water supply, and check for leaks. Repair as needed.

### Bath & Shower Faucet

Remove the handspray and aerator by tool(13). Turn the water flow handle to the "open" position, and slowly turn the temperature selector. Run water through the faucet for about a minute to remove any debris. Close the faucet, and reinstall the handspray, gasket(14), aerator(10) and aerator housing(11).

### Shower Faucet

Remove the handspray. Turn the water flow handle to the "open" position, and slowly turn the temperature selector. Run water through the faucet for about a minute to remove any debris. Close the faucet, and reinstall the hand spray.

## 如何安装托架

在垂直面的墙壁，选一合适的高度，来安装托架。

把托架盖(16)与托架底板(15)撬开。在墙壁标上安装托架底板位置的记号。在墙上钻两个孔，以便于安装胀塞及螺钉。旋紧螺钉，使托架固定贴紧墙壁，用托架盖盖住底板。

将花洒挂在托架上。

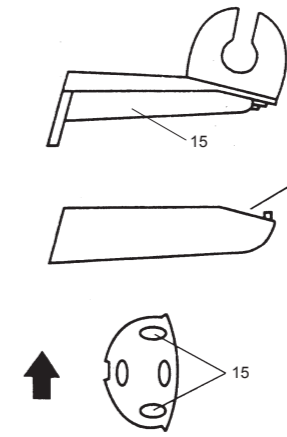


Fig.3

## How To Install The Shower Bracket

Select a location in vertical wall within reach of the shower hose.

Pry between the bracket cover(16) and bracket base(15) to separate the two parts. Mark bracket base mounting hole locations on wall as shown. Drill two holes in the finished wall as required for the installation rawlplugs and screws. Tighten screws to secure bracket base to the finished wall. Replace bracket cover onto bracket base.

Hang the handspray on the shower bracket.

## 使用说明

慢慢旋转温控把手即右把手，调整温度，安全限位温度为40度。如果想得到更高的温度，按住按钮继续旋转。

水流量是通过左把手来控制的。左把手设有一个节水限位。如果想得到更大的水流，按住按钮继续旋转即可。

### 节水限位器的调整

如果节水限位的水流不满足需要，可进行调整(Fig.4)。取下把手上盖，用螺丝刀取下螺钉及把手组件。调整限位器限位点的位置。如果要得到更大的限位水流，逆时针调整限位点；如果想得到较小的限位水流，顺时针调整限位点即可。

**注意：**装回流量把手时，先使流量阀处于关闭位置，并且将按钮与本体另一端的数字37对齐，装回把手，拧紧螺钉，安装把手上盖。

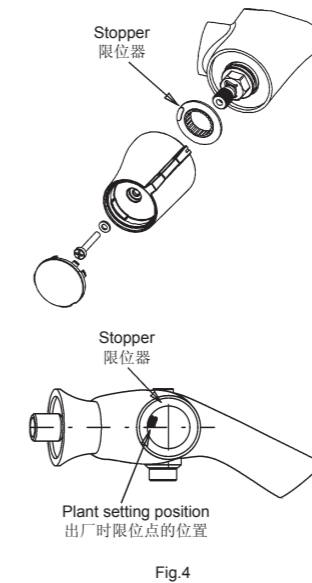
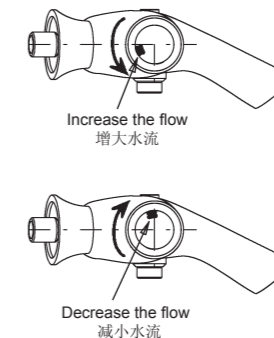


Fig.4



## OPERATION INSTRUCTIONS

The temperature is set by slowly turning the temperature selector(right-hand handle). For safety reasons, there is a stop that limits temperature to 40°C. To get a higher temperature, push the button and continue turning the temperature selector.

Water flow is set by turning the left-hand handle. There is also a water-saving stop. To obtain a higher flow rate, push the button and continue turning it.

### Stopper Adjustment

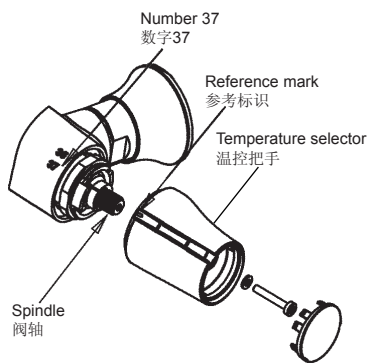
If the flow can't meet the demand, it can be adjusted(Fig.4). Uninstall the handle kit and adjust the position of stopper. Turn the counter-clockwise to increase the flow rate; Turn clockwise to decrease the flow rate.

**NOTE:** When you reinstall the handle, make sure the flow valve in the 'close' position, the button of water flow handle should be aligned with the 37 mark. Tighten the screw. Put on the handle plug.



**注意：** 确保拆卸、安装过程中，不要转动温控阀轴。如果不小转动了阀轴，要调整阀轴使外齿上的圆孔标识与相邻的塑套上的凹槽对齐(Fig.12)，或按前述方法调整。

安装温控把手，使温控把手的数字37标识与本体圆形激光标识对齐，拧紧螺钉。安装把手上盖。(Fig.13)



**NOTE:** Do not turn the cartridge when reinstall it. If you turned it without carefully, you should adjust it and be sure that the round mark is correctly in line with the groove(Fig.12), or readjust as per the steps of verification and setting.

Install the temperature selector(without turning the spindle). Align the reference number 37 mark on the temperature handle with the round laser mark on the body(Fig.13). Tighten the handle with the screw. Put on the handle plug.

## 清洗说明

适用于所有加工处理过的表面：以中性肥皂水清洗镀层表面，再以干净的软布彻底擦干整个表面，许多清洁剂，比如氨水、去污粉及洁厕灵等，会对电镀表面造成伤害，切忌使用。

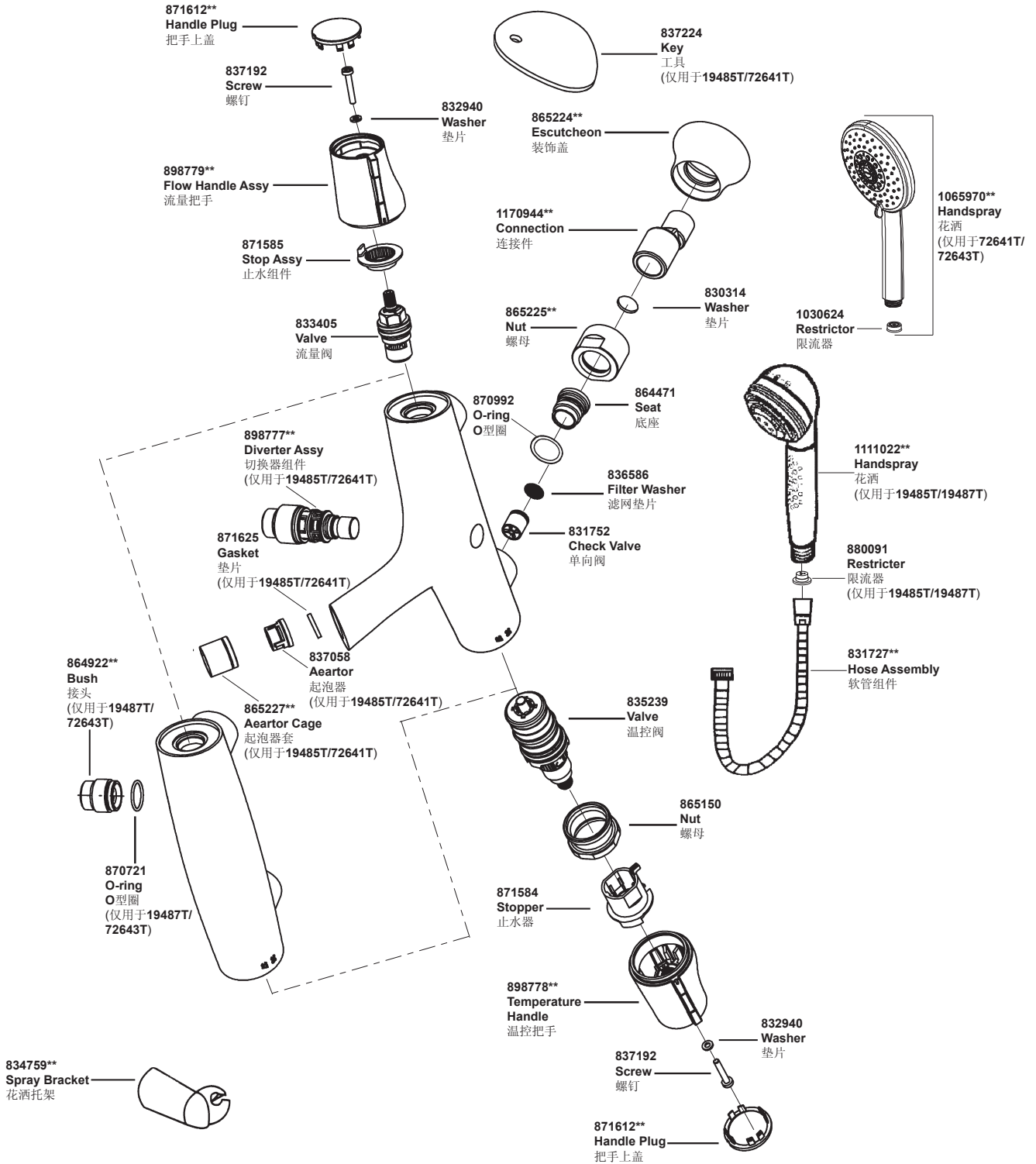
有磨损性的清洁用具或清洁剂也不可适用于科勒牌的水龙头及其配件上。

## CLEANING INSTRUCTIONS

All Finishes: Clean the finish with mild soap and warm water. Wipe entire surface completely dry with clean soft cloth. Many cleaners may contain chemicals, such as ammonia, chlorine, toilet cleaner etc. which could adversely affect the finish and are not recommended for cleaning.

Do not use abrasive cleaners or solvents on Kohler faucets and fittings.

19485T 72641T 挂墙式恒温浴缸花洒龙头  
 19487T 72643T 挂墙式恒温花洒龙头



\*\*订购时请说明颜色编号

\*\*Color code must be specified when ordering