

维护和保养

滤网垫片(20)可起到保护龙头的作用,但长时间使用后水垢或杂质可能会堵塞滤网降低水流量。如有类似情况发生,卸下龙头,用六角扳手(16,12mm)将底座(18,顺时针)拧下,取下螺母(19)、滤网垫片(20)和单向阀(17)。用热醋清洗滤网。然后按照图示装回。(注意:单向阀必须按原方向装回)。

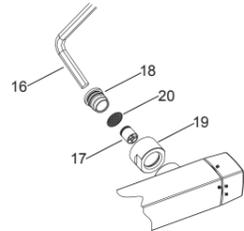


Fig.8

如果供水的水质较硬或长时间使用,水垢或杂质会阻塞温控阀上的滤网,流量会降低。需要清理请按照下列步骤进行:

关闭供水系统,使流量阀处于打开位置后进行温控阀的拆卸作业。温控阀是较敏感的配件,所以要十分小心。

拆卸前确保把手上的数字38标识同龙头上的圆点对齐。卸下温控把手组件(图Fig.7),旋下限位组件(图Fig.9)。

小心地卸下温控阀(图Fig.10),用热醋进行清洗。

清洗后,将限位组件装到温控阀上,使塑料套的定位柱嵌入温控阀的限位槽内(图Fig.11)。然后将塑料套的定位柱与本体孔凹槽对齐,装入温控阀并锁紧螺母(图Fig.12)。

注意:要确保拆卸、安装过程中,不要转动温控阀轴。如不小心转动了阀轴,要调整阀轴使黑色标识同相邻的塑壳上的长方形凸起标识对齐(图Fig.13)。

使把手上数字38对齐龙头本体上的圆点,将把手装到温控阀柄上(图Fig.7)。

测量温度,如38°C位的温度超出规定的范围,须进行调整。具体步骤见前面的操作使用说明。



Fig.9

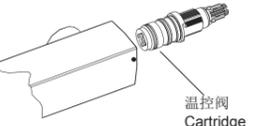


Fig.10

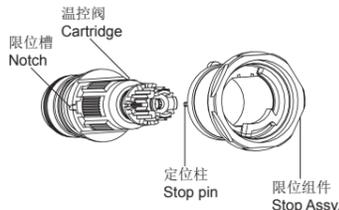


Fig.11

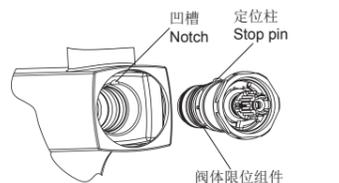


Fig.12

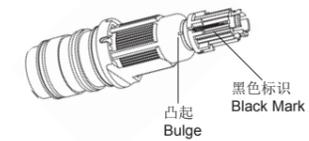


Fig.13

CARE AND MAINTENANCE

The filters(20) protecting the faucet device may get obstructed and reduce water flow. When this happens, unscrew the bushes (18, left thread) by a wrench(16, 12mm) and take out the nuts(19), filters(20) and the check valves(17) after removing the faucet. Clean the filters by soaking them in warm vinegar. Reinstall them as the figure.5. (Note: Check valves should reinstall as original orientation).

Very hard water can obstruct the filters on thermostatic cartridge and reduce the flow of water. Please clean the cartridge as follows:

Shut off the water supply of the faucet and open the water flow handle, then proceed to the cartridge removing. The cartridge is sense organ, please be careful.

Make sure the number 38 is aligned with the dot on the body before your action. Pull out the temperature handle kit(Fig.7). Remove stop assembly(Fig.9).

Removing the cartridge cautiously(Fig.10). Clean the thermostatic cartridge by soaking it in warm vinegar.

After cleaning, install the "stop assembly" back on the cartridge, adjusting the stop pin into the notch(Fig.11). Install the assembly cartridge into the body, adjusting the stop pin into the notch of the body(Fig.12).

NOTE: It is not supposed to rotate the valve spindle. In case of turning, relocate the valve spindle to align the black mark on spline with rectangle bulge on the shell of cartridge(Fig.13).

Install the temperature handle kit (without turning the spindle) and make sure dot on the body aligning with the number 38 on the temperature handle kit(Fig.7).

Measure the temperature. And adjust if it out of 38°C setting range. The process as mentioned in operation instruction before.

清理说明

适用于所有加工处理过的表面:以中性肥皂水清洗镀层表面,再以干净的软布彻底擦干整个表面,许多清洁剂,比如氨水、去污粉及洁厕灵等,会对电镀表面造成伤害,切忌使用。

有磨损性的清洁用具或清洁剂也不可适用于科勒牌的水龙头及其配件上。

CLEANING INSTRUCTIONS

All Finishes: Clean the finish with mild soap and warm water. Wipe entire surface completely dry with clean soft cloth. Many cleaners may contain chemicals, such as ammonia, chlorine, toilet cleaner etc. which could adversely affect the finish and are not recommended for cleaning.

Do not use abrasive cleaners or solvents on Kohler faucets and fittings.

KOHLER®

INSTALLATION INSTRUCTIONS

安装说明书

Wall-Mount Thermostatic Bath/Shower Faucet

玛尔戈 MARGAUX

72625T 挂墙式恒温浴缸花洒龙头
72626T 挂墙式恒温花洒龙头

安装之前

所有的资料是按最新出版的产品资料编写而成。科勒公司保留任何时候不经通知即可改变产品特性、包装或产品可供类型的权利。

说明书包括重要的安装、保养及清洁方面的内容,请把这些资料交给用户阅读。

BEFORE YOU BEGIN

All information is based on the latest product information available at the time of publication. Kohler Co. reserves the right to make changes in product characteristics, packaging, or availability at any time without notice.

Please leave these instructions for the consumer. They contain important information.

使用环境

- 一定要先彻底冲洗供水管以清除管道中的杂质。
- 最小供水压力: 0.5bar(0.05MPa)。
- 推荐冷热供水压力: 3bar(0.3MPa)。
- 如果供水压力大于5bar(0.5MPa), 安装减压阀。
- 冷热供水的压力差不大于2bar(0.2MPa)。
- 热供水温度最低: 50°C; 最高: 70°C。
- 推荐的热供水温度: 60°C。

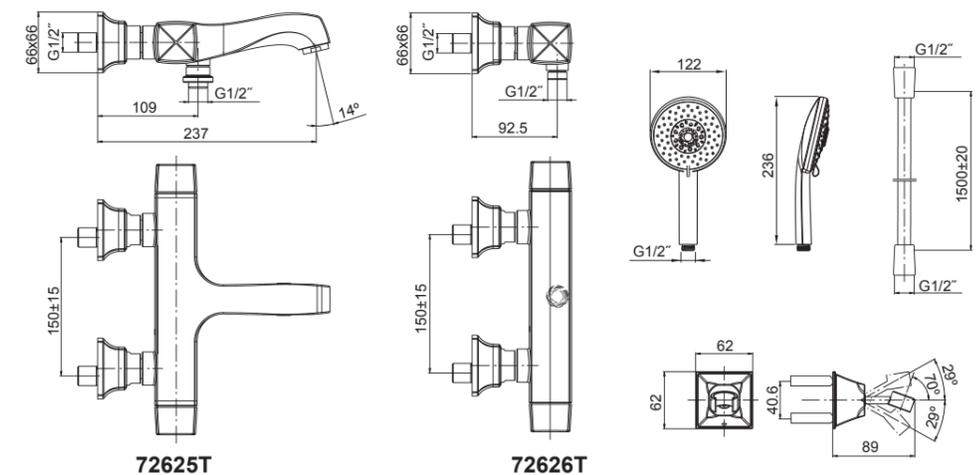
- 温度调整的基本范围为: 20°C 到 50°C。
- 安全限位温度: 38°C。
- 花洒最高工作压力: 0.5MPa(5bar)。花洒最高工作温度及环境温度: 60°C。请特别注意花洒同花洒连接的臂管须远离浴霸, 否则可能损坏花洒及其密封件, 甚至对使用者造成伤害。

OPERATION CONDITION

- Flush the water supply pipes thoroughly to remove debris.
- Minimum supply pressures: 0.5bar.
- Recommended supply pressures: 3bar on hot and cold water.
- If supply pressure greater than 5bar: install a pressure reducer.
- Pressure difference between hot and cold supply: 2bar maximum.
- Hot supply water temperatures, minimum: 50°C, maximum: 70°C.
- Recommended hot supply water temperature: 60°C (energy-saving).
- Setting range, approximately: 20°C to 50°C.
- Safety stop at: 38°C.
- The highest working pressure for handspray & shower head is 0.5MPa(5 bar). The highest water and environment temperature is 60°C. Please keep handspray, shower head and the shower arm away from heater, or it may become damaged and cause injury to the user.

安装尺寸

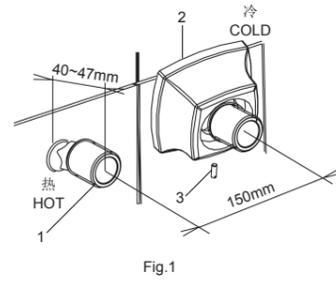
ROUGH-IN DIMENSIONS



安装步骤

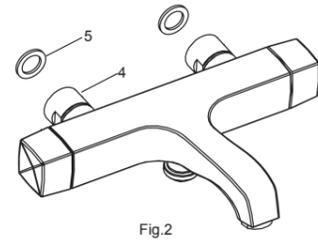
如何安装水龙头

为使安装顺利，G1/2"内螺纹管道配件应已安装好。预留150mm的间距，保持水平，并垂直墙面，低于和高于墙面的长度不超过5mm。热供水管装在左边。

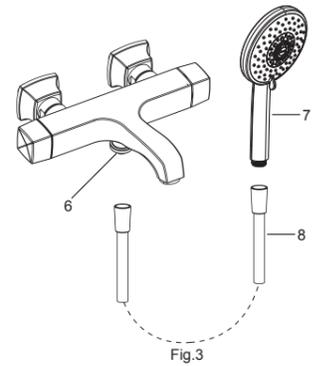


在两个接头(1)涂上螺纹密封胶或缠绕足以密封的密封胶带，旋入冷热水管中。

调节两个接头，使其中心距离为150mm，并保持同一水平。它们凸出墙面的尺寸应该在40到47mm之间。在装饰罩背面边缘涂一圈油灰，保持螺孔向下，将装饰罩(2)套入接头，紧贴墙壁。锁紧螺钉(3)固定装饰罩。去除多余油灰。



将垫片(5)放入水龙头螺母(4)中，将螺母旋到接头上。并用带状扳手拧紧。

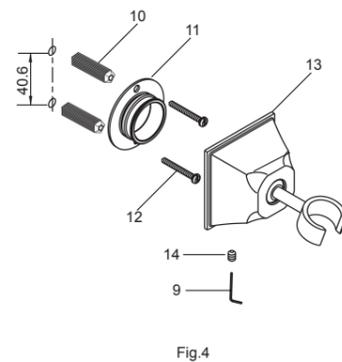


根据需要安装手持花洒(7)的限流器(见限流器安装说明)。用软管(8)连接出水口(6)和手持花洒。

如何安装托架

在墙面选一合适的位置来安装托架。

根据安装尺寸在墙壁上标出底座(11)安装孔位。根据胀塞(10)的直径打孔，安装胀塞。旋紧螺钉(12)，固定底座。在托架(13)底面边缘涂一圈油灰或密封胶，保持螺孔向下将托架装在底座上。用六角扳手(9)锁紧螺钉(14)固定托架。去除多余油灰或密封胶。



INSTALLATION

How to Install the Faucet

To perform installation, installer must provide G1/2" female supply fittings, spaced 150mm apart, horizontally, vertical, and not more than 5mm if extending or below the finished wall surface. Hot supply pipe must be located on the left.

Install the two offset connectors(1) into the hot and cold supply fittings. Use appropriate thread sealants or thread tape onto the threads.

Adjust the center-to-center distance between the connectors to 150mm and horizontally. They should extend 40 to 47mm beyond the finished wall. Apply a ring of plumbers putty around the back edge of the escutcheon(2). Keep the hole facing downwards, slide the escutcheons onto the connectors until they are against the finished wall. Secure the escutcheons by tightening the screws(3). Remove any excess putty.

Put the washers(5) into the nuts(4) and tighten the nuts with strap wrench.

Install the regulator of handspray(7) as required(shown in regulator installation instruction). Connect the shower outlet(6) and handspray with hose(8).

How to Install the Bracket

Determine a suitable location on the finished wall to install the bracket.

Mark bracket support(11) mounting hole locations on the wall according to the dimension. Drill two holes on the finished wall, the holes should match the anchors(10). Install the anchors. Tighten screws(12) to secure bracket support. Apply a ring of plumbers putty or sealant around the back surface of the bracket(13). Keep the mounting hole facing downwards, install the bracket onto the bracket support. Secure the bracket by tightening the screw(14) with hex wrench(9). Remove any excess putty or sealant.

安装结果检查

检查并确保所有的衔接处都已拧紧。

确保手柄在关闭位置。

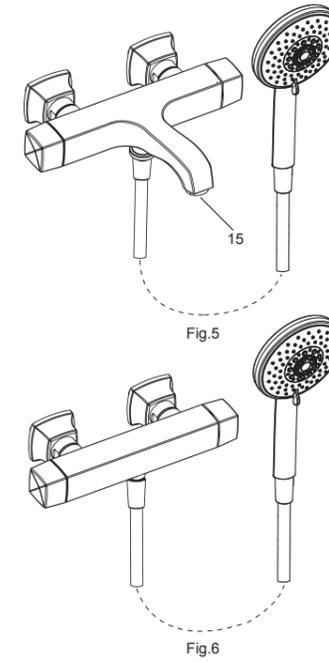
打开排水系统和主要供水源，检查并修理有漏水的接口。

浴缸花洒龙头:

取下花洒和起泡器(15)。打开冷热水，让水流出约一分钟以清除杂质。检查渗漏，清洗起泡器。关闭水龙头，并装回起泡器和花洒。

花洒龙头:

取下花洒。打开冷热水，让水流出约一分钟以清除杂质。检查渗漏。关闭水龙头，并装回花洒。



使用说明

慢慢旋转温控把手即右把手，调整温度，安全限位温度为38°C。如果想得到更高的温度，按住按钮继续旋转。

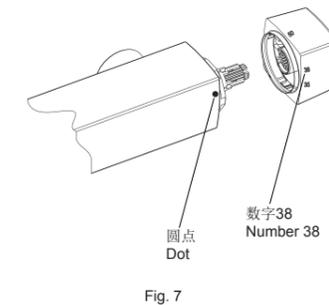
水流量是通过左把手来控制的。

温度测试与调整

在温度测试前，应确保供水系统充分，并且热水具有推荐的温度范围内的较高温度。温控把手在38°C位置时，打开龙头让水流出。进行温度测量，出厂时温度设定在37~39°C范围内。如果超出这个范围，要进行调整。调整的步骤如下：

拨下温控把手组件。在正常水流状态下，由冷水位置开始慢慢转动温控阀轴(保持同一方向)直至获得38°C水流。如果温度超过39°C，回到冷水位置重新调整。

温度稳定后，不要转动温控阀轴。安装温控把手，使龙头上的圆点与把手上的数字38标识对齐(图Fig.7)。



INSTALLATION CHECKOUT

Ensure that all coupling nuts are tighten.

Ensure that the handles are in the off position.

Turn on the main water supply, and check for leaks. Repair as needed.

Bath & Shower Faucet:

Remove the handspray and aerator(15). Run hot and cold water through the faucet for about one minute to remove any debris. Check for leaks. Remove any debris from the aerator. Shut off the faucet. Reinstall the aerator and handspray.

Shower Faucet:

Remove the handspray. Run hot and cold water through the faucet for about one minute to remove any debris. Check for leaks. Shut off the faucet. Reinstall the handspray.

OPERATION INSTRUCTION

The temperature is set by slowly turning the temperature selector(right-hand handle). For safety reasons, there is a stop that limits temperature to 38°C. To get a higher temperature, push the button and continue turning the temperature selector.

Water flow is set by turning the left-hand handle.

Temperature Verification and Setting

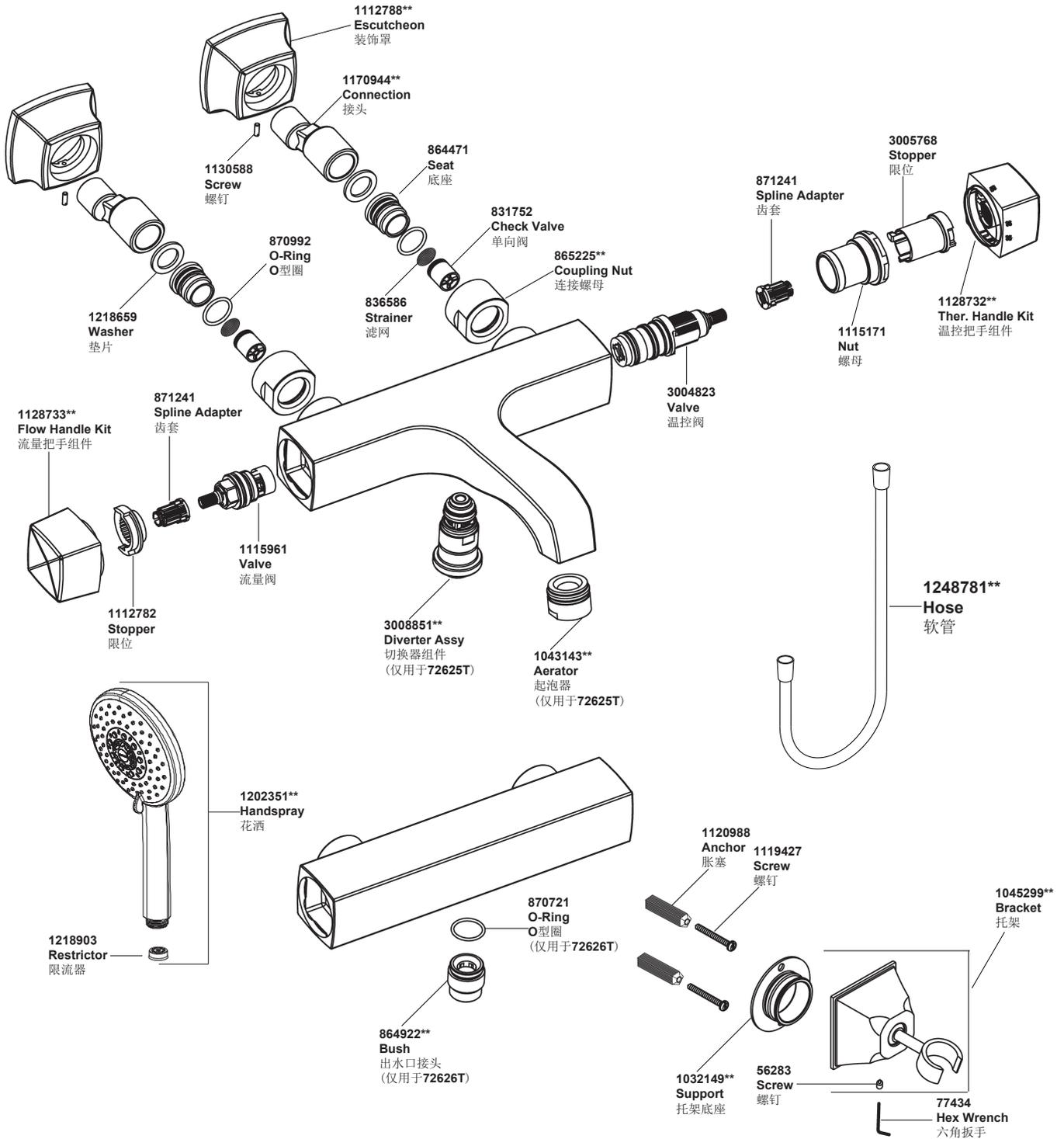
Make sure that the water feeds of the faucet have reach their highest temperature but within the recommended range by letting the water run sufficiently. With the selector in position 38°C, the temperature of the water coming out of the faucet must be within a range of 37°C and 39°C, as measured by a thermometer. If the temperature out of the range, the installer can adjust the setting. Proceed with the setting as follows:

Pull out the temperature handle kit. With the faucet on "cold" normal water flow, slowly turn the temperature selector (always in the same direction) until water at 38°C is obtained. If the temperature goes over 39°C, go back to the "cold" setting and set again.

When the temperature is stabilized, without turning the cartridge spindle, make sure the dot on the body aligned with number 38 on the handle(Fig.7).

Wall-Mount Thermostatic Bath/Shower Faucet

72625T 挂墙式恒温浴缸花洒龙头
72626T 挂墙式恒温花洒龙头



**订购时请说明颜色编号

**Color code must be specified when ordering