

# KOHLER®

## INSTALLATION INSTRUCTIONS

### 安装说明书

# 奥睿

## AIRFOIL

### Shower Panel

#### 45219T-7 淋浴屏

#### 安装之前

所有的资料是按最新发布的产品资料编写而成。科勒公司保留任何时候不经通知即可改变产品特性、包装或产品可供类型的权利。

说明书包括重要的安装、保养及清洁方面的内容，请把这些资料交给用户阅读。

#### BEFORE YOU BEGIN

All information is based on the latest product information available at the time of publication. Kohler Co. reserves the right to make changes in product characteristics, packaging, or availability at any time without notice.

Please leave these instructions for the consumer. They contain important information.

#### 使用环境

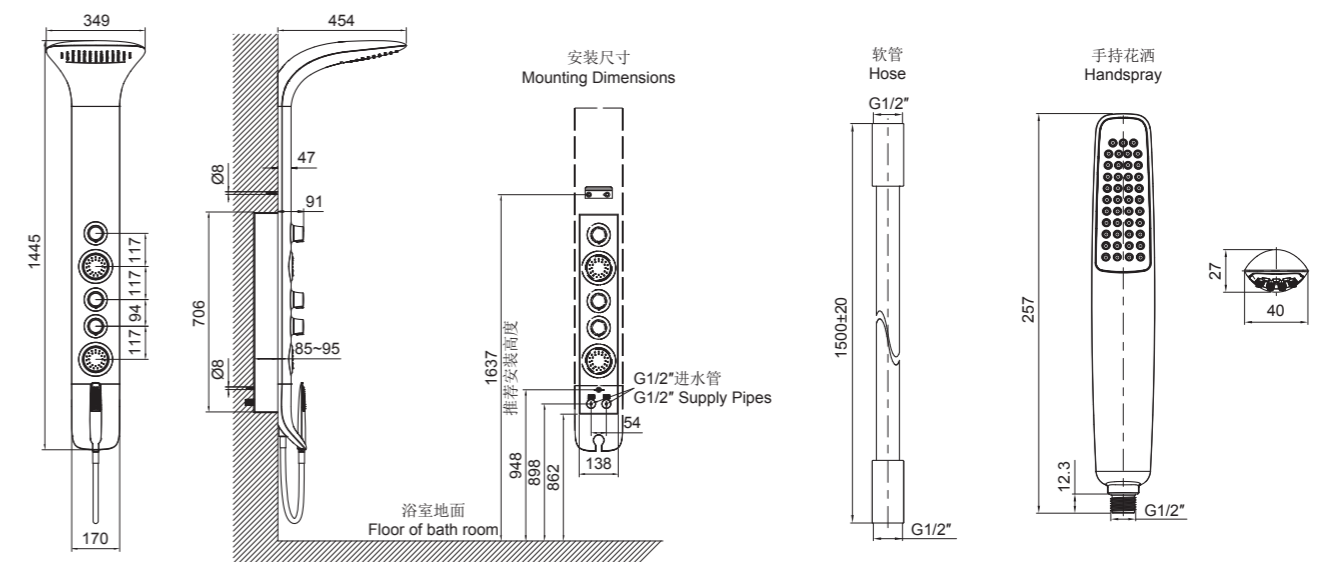
1. 最小供水压力: 2bar(0.2MPa); 最大供水压力 8bar(0.8MPa)。
2. 推荐冷热供水的静态压力: 3bar(0.3MPa)。
3. 冷热供水的压力差不大于2bar(0.2MPa)。
4. 热供水温度最低: 50°C; 最高: 70°C。
5. 推荐的热供水温度: 60°C。
6. 温度调整的基本范围为: 20°C到50°C。
7. 安全限位温度: 38°C。
8. 花洒最高使用环境温度: 60°C。请特别注意花洒同花洒连接的臂管须远离浴霸, 否则可能损坏花洒及其密封件, 甚至对使用者造成伤害。

#### OPERATION CONDITION

1. Minimum supply pressures: 2bar(0.2MPa). Maximum supply pressures: 8bar(0.8MPa).
2. Recommended supply pressures: 3bar on hot and cold water.
3. Pressure difference between hot & cold supplies: 2bar maximum.
4. Hot supply water temperatures, minimum: 50°C, maximum: 70°C.
5. Recommended hot supply water temperature: 60°C.
6. Setting range, approximately: 20°C to 50°C.
7. Safety stop at: 38°C.
8. The highest environment temperature for handspray & showerhead is 60°C. Please keep handspray, shower head and the shower arm away from heater, or it may become damaged and cause injury to the user.

#### 安装尺寸

#### ROUGH-IN DIMENSIONS



## 安装步骤

### 如何安装保护盒和G1/2"供水管

根据安装尺寸，在垂直面的墙壁选择一个合适的位置来安装保护盒(1)。

如图Fig.1所示，在装修好的墙面上开一个大小为138X706mm，深度为85~95mm的矩形孔。

**注意：**确保安装孔底面水平，四周与装修好的墙面垂直。

如图Fig.1和Fig.2所示，安装G1/2"外螺纹供水管(2，用户自备)，确保出水管端面平滑。热供水管装在左侧。推荐的接管中心到装修好的浴室地面的高度898mm。两接管中心距离54mm，保持水平，垂直且高于保护盒底面50~60mm。

如图Fig.3所示，在保护盒四周涂合适的密封胶。将保护盒装入安装孔，使保护盒底面贴紧安装孔底面，底面两孔套在G1/2"供水管上。装好的保护盒和供水管如图Fig.4所示。

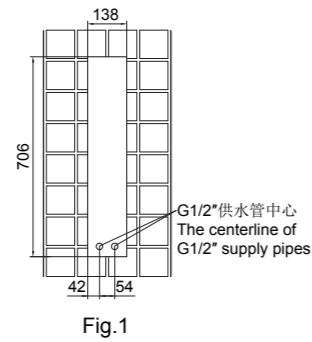


Fig.1

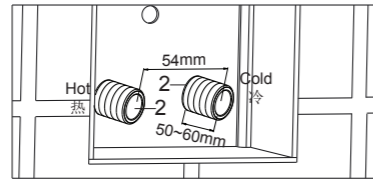


Fig.2

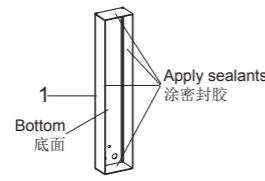


Fig.3

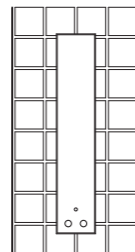


Fig.4

## INSTALLATION

### How to Install the Plate and the G1/2" Supply pipes

Select a location in vertical wall to install plate(1) according to rough-in dimensions.

Make a 138X706mm rectangle hole that the depth is 85~95mm in the finished wall as Fig.1 shown.

**NOTE:** Make sure the bottom of mounting hole is horizontal, and four sides perpendicular to the finished wall.

Install G1/2" male supply fittings(2, not provided) as Fig.1 and Fig.2 shown. Ensure that the outlet end is flat. Hot one must be located on the left. The recommended height from center of the fittings to the finished floor of the bathroom is 898mm. The fittings are spaced 54mm apart from center to center horizontally, and vertical to the finished wall. And fittings exceed the plate 50~60mm.

Apply appropriate sealants on four sides of the plate as Fig.3. Install the plate into the mounting hole, and make sure the bottom of the plate against the bottom of the mounting hole, and slide two holes of the plate onto the G1/2" male supply fittings. The plate and the G1/2" male supply fittings are installed as Fig.4 shown.

### 如何安装淋浴屏

如图Fig.5所示，将安装模板(3)的一侧贴紧保护盒，模板另一侧贴紧装修好的墙面。在墙面钻三个直径8mm的孔。

如图Fig.6所示，取下安装模板。用膨胀塞(4)、垫片(5)和螺钉(6)安装托架(7)。用水平尺找平托架，用扳手锁紧螺钉以固定托架。安装膨胀塞(8)和螺钉(9)。

将垫片(10)放入螺母(11)，用扳手将进水弯头(12)旋紧到供水管上，出水方向朝上。

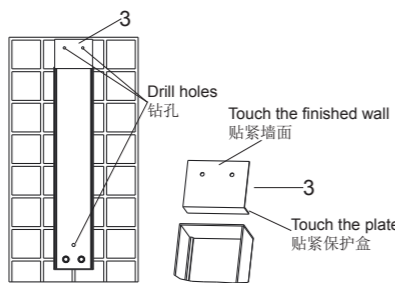


Fig.5

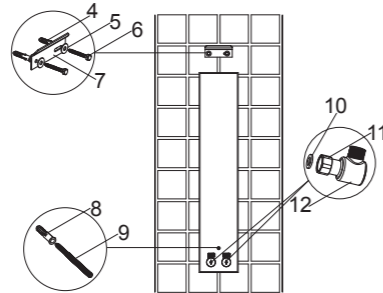


Fig.6

### How to Install the Shower Panel

As Fig.5 shown, install the mounting templet(3), and make sure one side of the mounting templet against the plate, the other side against the finished wall. Drill three holes(diameter 8mm) on the finished wall.

Mount the wall fixture bracket(7) by anchors(4), washers(5), screws(6). Make sure the bracket horizontal and secure. As Fig.6 shown. Install the anchor(8) and the screw(9).

Install the washer(10) into the nut(11), then tighten the inlet elbows(12) onto the fittings. Outlets of the elbows up.

# KOHLER®

## SERVICE PARTS

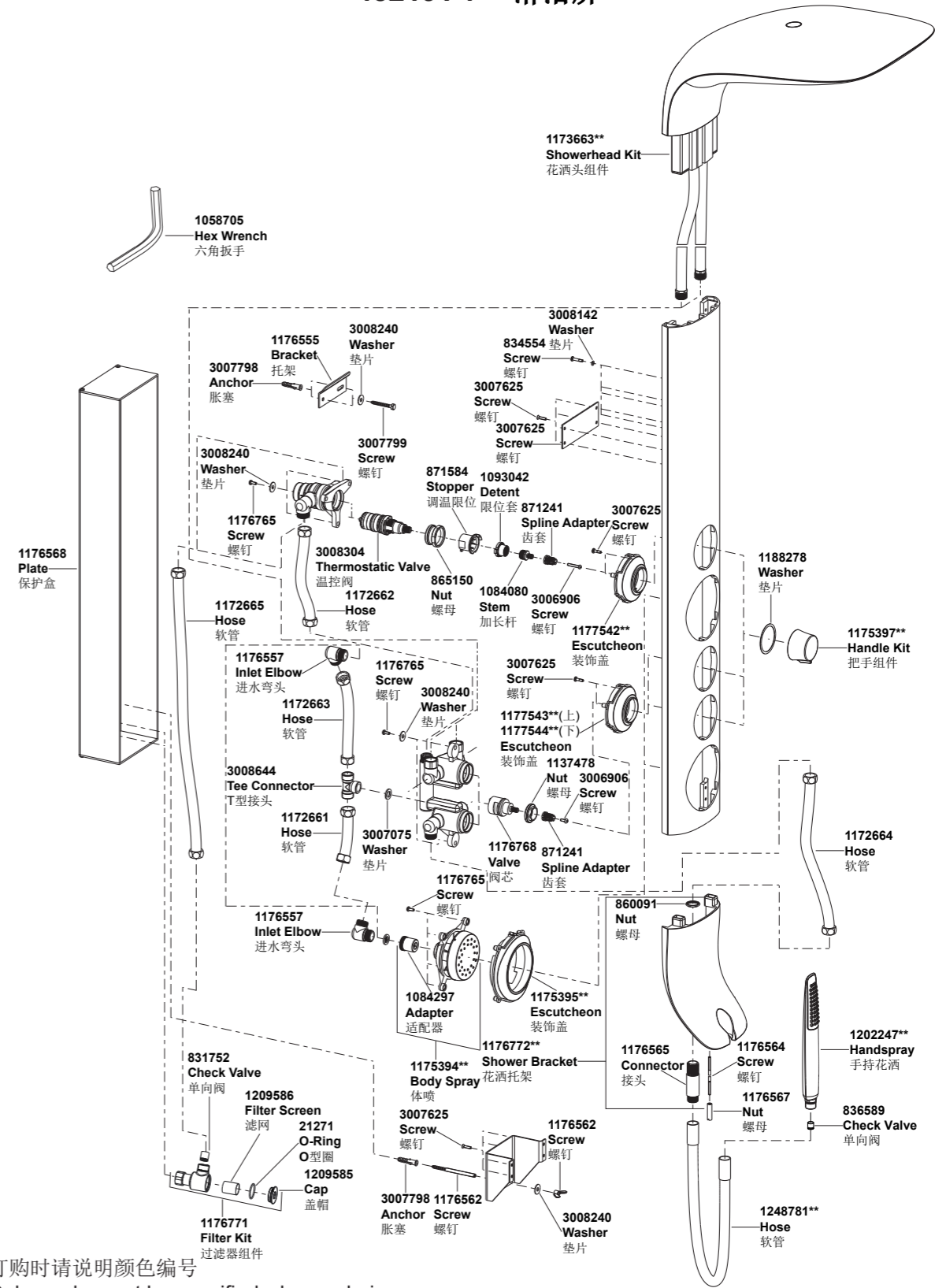
### 零件图

# 奥睿

## AIRFOIL

### Shower Panel

### 45219T-7 淋浴屏



\*\*订购时请说明颜色编号

\*\*Color code must be specified when ordering

## 清洗说明

适用于所有加工处理过的表面：以中性肥皂水清洗镀层表面，再以干净的软布彻底擦干整个表面，许多清洁剂，比如氨水、去污粉及洁厕灵等，会对电镀表面造成伤害，切忌使用。

有磨损性的清洁用具或清洁剂也不可适用于科勒牌的水龙头及其配件上。

## CLEANING INSTRUCTIONS

All Finishes: Clean the finish with mild soap and warm water. Wipe entire surface completely dry with clean soft cloth. Many cleaners may contain chemicals, such as ammonia, chlorine, toilet cleaner etc, which could adversely affect the finish and are not recommended for cleaning.

Do not use abrasive cleaners or solvents on Kohler faucets and fittings.

开启主水源，让水流出约一分钟，以清除杂质。

如图Fig7所示，将淋浴屏(13)背部的背板(14)挂在托架(7)上，同时将螺钉(9)穿过淋浴屏背部的托盘(15)，安装垫片(16)和蝶形螺母(17)，拧紧蝶形螺母以固定淋浴屏。

将软管(18)带垫片(19)连接到进水弯头(12)上。**注意：**贴有红色标记软管接热水。

如图Fig8所示，将螺钉(20)旋入淋浴屏下方螺孔内。将花洒托架(21)穿过螺钉(20)。用软管(22)带垫片(23)连接花洒托架进水口(24)。将花洒托架上的凸起对准淋浴屏凹槽装入。将螺母(25)旋紧到螺钉(20)上以固定花洒托架。

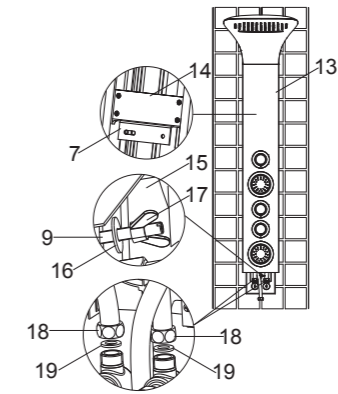


Fig.7

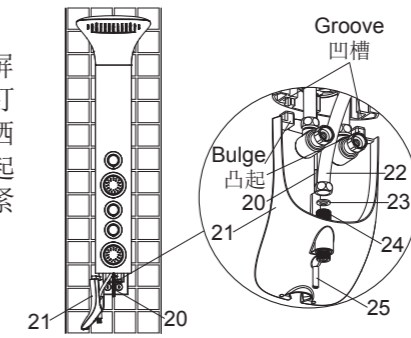


Fig.8

Turn on the main water supply. Run water for about one minute to remove any debris.

Hang the base(14) located on the back of the shower panel(13) on the bracket (7). Slide the shelf(15) on the back of the shower panel onto the screw(9). Install the washer(16) and the butterfly nut(17), and tighten the butterfly nut to secure the shower panel.

Connect the hoses(18) with the washers(19) to the inlet elbows(12).

**NOTE:** The hose with the red mark should attach to hot water supply.

As Fig.8 shown, screw the screw(20) into the screw hole below the shower panel. Slide the shower bracket(21) onto the screw(20). Connect the hose (22) with the washer(23) to the inlet(24) of the shower bracket. Install the shower bracket with the bulges of its being situated into the grooves of the shower panel. Tighten the nut(25) onto the screw(20) to secure the shower bracket.

## 如何安装花洒软管和手持花洒

去掉软管(26)两端接头的保护套。用软管连接接头(27)和手持花洒(28)。

将手持花洒挂在花洒托架上。

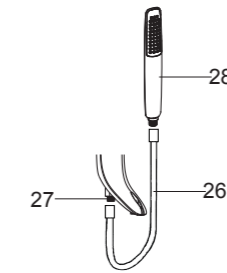


Fig.9

## How to Install the Shower Hose and the Handspray

Remove the guards on the outlet connectors of the hose(26). Connect the connector(27) and the handspray (28) with the hose.

Hang the handspray on the shower bracket.

## 使用说明

把手(29)控制温度。慢慢地旋转温控把手调整温度，安全限位温度为38°C。如果想得到更高的温度，按住按钮继续逆时针旋转。如果想得到更低的温度，按住按钮顺时针旋转。

把手(30)控制头部花洒出水。顺时针旋转把手，出水方式为瀑布型；逆时针旋转把手，出水方式为雨淋型。

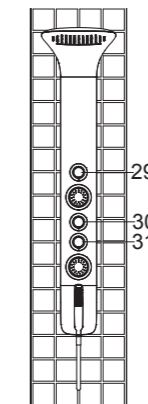


Fig.10

## OPERATION INSTRUCTION

The handle(29) controls temperature. The temperature is set by slowly turning the temperature handle. For safety reasons, there is a stop that limits temperature to 38°C. To get a higher temperature, push the button and continue turning the temperature selector counterclockwise. To get a lower temperature, push the button and turn the temperature selector clockwise.

The handle(30) controls shower head. Turn the handle clockwise, spray pattern is waterfall; turn the handle counterclockwise, spray pattern is rain.



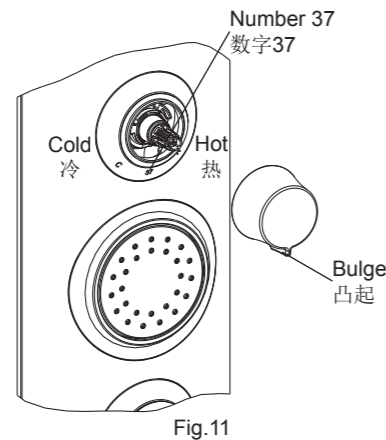
把手(31)控制体喷和手持花洒出水。顺时针旋转把手,手持花洒出水;逆时针旋转把手,体喷出水。

The handle(31) controls the body spray and the handshower. Turn the handle clockwise, handshower works; Turn the handle counterclockwise, body spray works.

### 温度测试与调整

在温度测试前,应确保供水系统充分且热水具有推荐范围内的较高温度。温控把手在37°C位置时,打开切换阀让水流出。进行温度测量,出厂时温度设定在36~38°C范围内。如果超出了这个范围,要进行调整。调整的步骤如下:

拨下温控把手组件。在正常水流的状态下,由冷水位置开始慢慢转动温控阀轴(保持同一方向)直至获得37°C水流。如果温度超过38°C,回到冷水位置重新调整。温度稳定后,不要转动温控阀轴,安装温控把手,使温控把手的凸起与数字37对齐(如图Fig.11所示)。



### Verification and Setting

Make sure that the water feeds of the faucet have reached their highest temperature but within the recommended range by letting the water run sufficiently. With the selector in position 37°C, the temperature of the water coming out of the diverter valve must be within a range of 36°C and 38°C, as measured by a thermometer. If the temperature out of the range, the installer can adjust the setting. Proceed with the setting as follows:

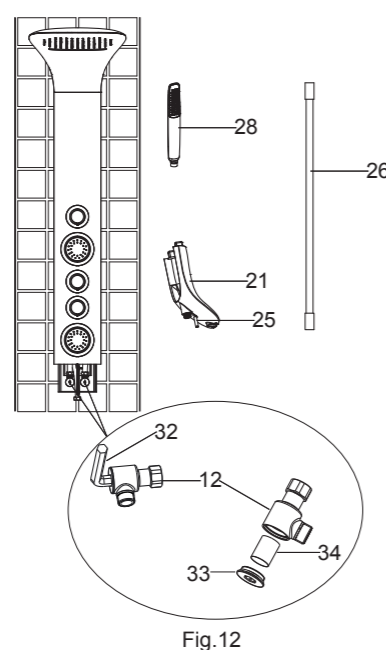
Remove the temperature handle kit. With the faucet on "cold" normal water flow, slowly turn the temperature selector(always in the same direction) until water at 37°C is obtained. If the temperature goes over 38°C, go back to the "cold" setting and set again. When the temperature is stabilized, without turning the cartridge spindle, install the temperature handle, make sure the bulge of the temperature handle aligned with the number 37(As Fig.11 shown).

### 维护与保养

#### 清洗过滤器和温控阀

如果供水的水质较硬或长时间使用,水垢或杂质会阻塞进水弯头(12)内的过滤器滤网和温控阀上的滤网,使流量降低。需要清理请按照下列步骤进行:关闭供水系统。使切换阀处于打开位置后进行进水弯头和温控阀的拆卸作业。温控阀是较敏感的配件,所以要十分小心。

如图Fig.12所示,取下手持花洒(28),取下花洒软管(26)。用螺丝刀旋下螺母(25),取下花洒托架(21)。用六角扳手(32)旋下盖帽(33)和滤网(34)。再用热醋清洗滤网。然后按图示装回滤网和盖帽。



### CARE AND MAINTENANCE

#### Clean the Filters and the Thermostatic Cartridge

Very hard water can obstruct the filters both in the inlet elbow(12) and the thermostatic cartridge and reduce the flow of water. Please clean the filters as follows: Shut off the water supplies of the shower panel. Open the diverter valve, then proceed to remove the inlet elbows and the cartridge. The cartridge is sense part, please be careful.

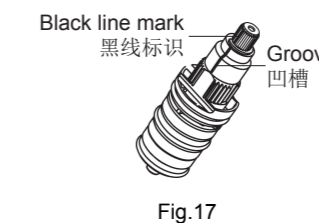
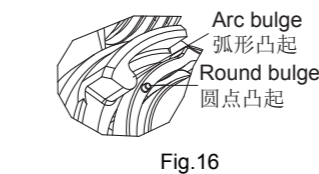
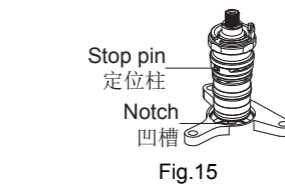
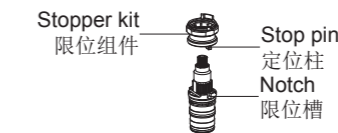
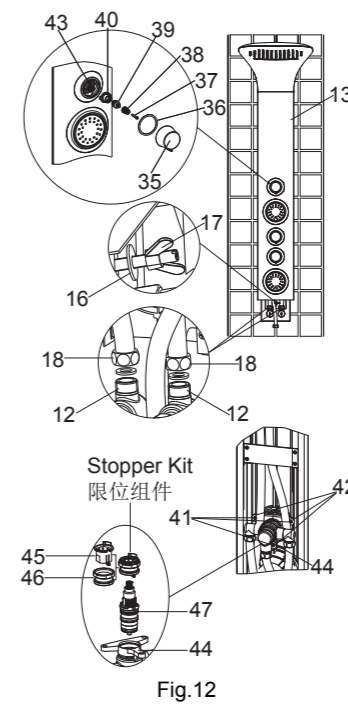
As Fig.12 shown, remove the handspray(28) and the shower hose (26). Unscrew the nut(25) with a screwdriver, and remove the shower bracket(21). Unscrew the cap(33) and the filter(34) with the hex wrench(32). Clean the filters by soaking them in warm vinegar. Reinstall the filters and the caps as shown.

拆卸温控阀之前,确保温控把手的凸起与装饰盖上的数字37标识对齐。拨下把手组件(35),取下垫片(36)。用十字螺丝刀取下螺钉(37),然后依次取下齿套(38,39)和限位套(40)。

断开软管(18)与进水弯头(12)的连接。**注意:**切勿弄丢软管螺母内的垫片。取下蝶形螺母(17)和垫片(16),然后取下淋浴屏(13)。用十字螺丝刀取下螺钉(41)和垫片(42)。按住阀柄(43)后推使阀体(44)从淋浴屏背部退出。**注意:**切勿弄坏淋浴屏背部软管。取下调温限位(45)和螺母(46)(图Fig.13)。小心地拆下温控阀(47)用热醋进行清洗。

清洗后将调温限位组件装到温控阀上,使定位柱嵌入温控阀的限位槽内(图Fig.14)。然后将定位柱与阀体内孔的凹槽对齐,装入温控阀并锁紧螺母(46)(图Fig.15)。从淋浴屏背部将阀体装回安装孔。用螺钉(41)和垫片(42)固定阀体。装回限位套,并确保限位套上的圆点凸起对准调温限位上的弧形凸起(图Fig.16)。装回齿套、螺钉、垫片和温控把手组件。按照前述安装步骤装回淋浴屏、花洒托架、花洒软管和手持花洒。

**注意:**确保拆卸和安装的过程中,不要转动温控阀轴。如不小心转动了温控阀轴,要调整阀轴使外齿上的黑线标识与相领塑套上的凹槽对齐(图Fig.17)。或按前述的温度测试与调整的方法进行温度的确认调整。



Make sure the bulge of the temperature handle aligned with the number 37 on the escutcheon before your action. Remove the temperature handle kit(35), and remove the washer(36). Unscrew the screw(37) with a cross-screwdriver, and remove the spline adapter(38,39) and the detent(40) in order.

Disconnect the hoses(18) and the inlet elbows(12). **NOTE:** Don't lose the washer in the nut of the hose. Unscrew the butterfly nut(17), and remove the washer(16). Remove the shower panel(13). Unscrew the screws(41), and remove the washers(42) with cross-screwdriver. Hold the valve stem(43) to push back so that the valve body(44) can be removed from the back of the shower panel. **NOTE:** Don't damage the hoses on the back of the shower panel. Remove the stopper(45) and the nut(46). Remove the thermostatic cartridge(47) cautiously (Fig.13). Clean the thermostatic cartridge by soaking it in warm vinegar.

After cleaning, install the stopper kit back to the cartridge, adjusting the stop pin into the notch(Fig.14). Install the cartridge and stopper into the body, adjusting the stop pin into the notch of the body. Tighten the nut(46)(Fig.15). Reinstall the valve body into the hole from the back of the shower panel. Secure the valve body by the screws(41) with the washers(42). Reinstall the detent, and align the round mark on the detent with the arc bulge on the stopper(Fig.16). Reinstall the spline adapters, screw, washer and the temperature handle kit. Reinstall the shower panel, the shower bracket, the shower hose and the handspray as previous procedure.

**NOTE:** Don't turn the cartridge stem when reinstall it. If you turned it without carefulness, you should adjust it and be sure that the black line mark is correctly in line with the groove(Fig.17). For accurate temperature, it is supposed to verify and resetting the cartridge according to instruction in previous pages.

#### 如何清除喷嘴水垢,杂质

喷孔杂质或结垢会导致水流变形,流量变小。打开体喷、手持花洒或花洒头,用手指用力按压或摩擦橡胶喷嘴,去除杂质或水垢。

#### How to Clean the Nozzles

Any debris or mineral build-up may cause the flow stream to become distorted or reduce the flowrate. To remove the debris or mineral build-up, run water through the bodyspray, handspray or showerhead, press or rub the fingers back and forth across the rubber nozzles.