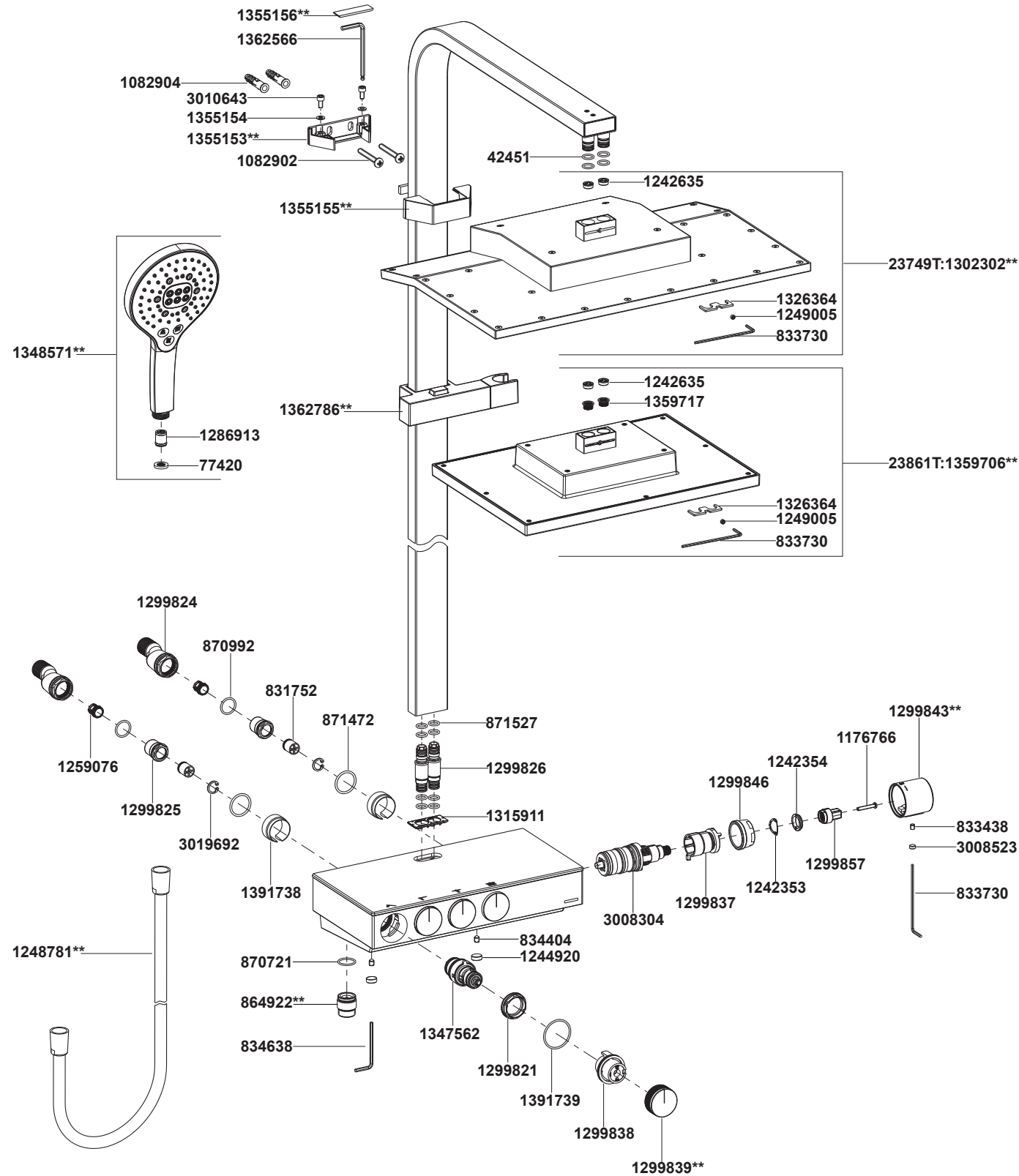


23861T-9 Thermostatic 3 Way Shower Column With Multifunction Showerhead  
 23749T-9 Thermostatic 3 Way Shower Column With Beitou Showerhead



\*\*Color code must be specified when ordering.

**NOTE:** For all Asia pacific regions (excluding China) add SP (SPxxxxxx\*\*) in front of the part number when ordering.

23751T-9 Thermostatic Dual Shower Column With Multifunction Showerhead  
 23752T-9 Thermostatic Dual Shower Column With Beitou Showerhead  
 23861T-9 Thermostatic 3 Way Shower Column With Multifunction Showerhead  
 23749T-9 Thermostatic 3 Way Shower Column With Beitou Showerhead

### BEFORE YOU BEGIN

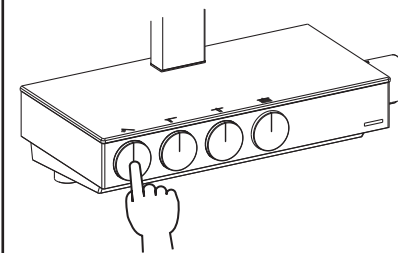
All information is based on the latest product information available at the time of publication. Kohler Co. reserves the right to make changes in product characteristics, packaging, or availability at any time without notice.

Please leave these instructions for the consumer. They contain important information.

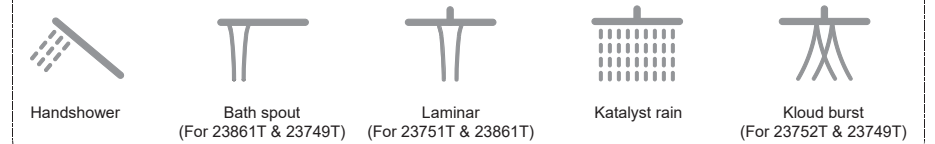
### OPERATION CONDITION

1. Minimum supply pressures: 0.1MPa(1bar).
2. Recommended supply static pressures: 0.3MPa(3bar) on hot and cold water.
3. Supply pressure greater than 0.5MPa(5bar): install a pressure reducer.
4. Hot water temperatures, minimum: 50°C, maximum: 80°C.
5. Recommended hot water temperature: 65°C(energy-saving).
6. Setting range, approximately: 20°C to 49°C.
7. Safety stop at: 37°C.
8. Maximum mixed water temperature: 49°C.
9. The highest environment temperature for handshower & showerhead is 60°C. Please keep handshower, showerhead and shower arm away from heater, or it may become damaged and cause injury to the user.

### OPERATION INSTRUCTIONS



#### Icon description above switch button



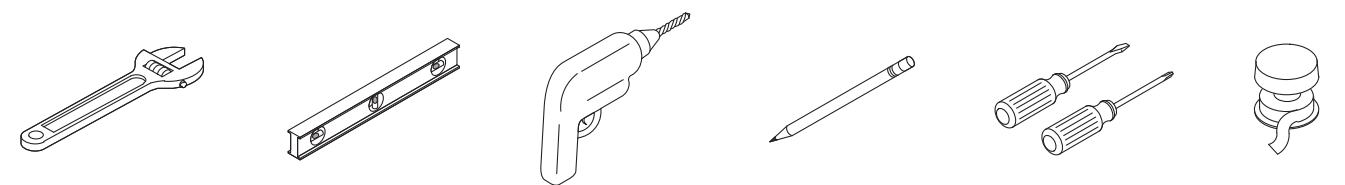
The temperature is set by slowly turning the temperature handle(right-hand handle). For safety reasons, there is a stop that limits temperature to 37°C. To get a higher temperature, push the button(on right-handle) and continue turning the temperature handle counter-clockwise.

Water flow and dispense is set by switch buttons. Press any switch button on the faucet body, the water will run from corresponding outlet. Rotate the switch buttons counter-clockwise to reduce flow.

### STANDARD APPLICABLE

Special model meets or exceeds the following at date of manufacture: TIS

### TOOLS AND MATERIALS (USER SUPPLIED)



Adjustable Wrench

Level

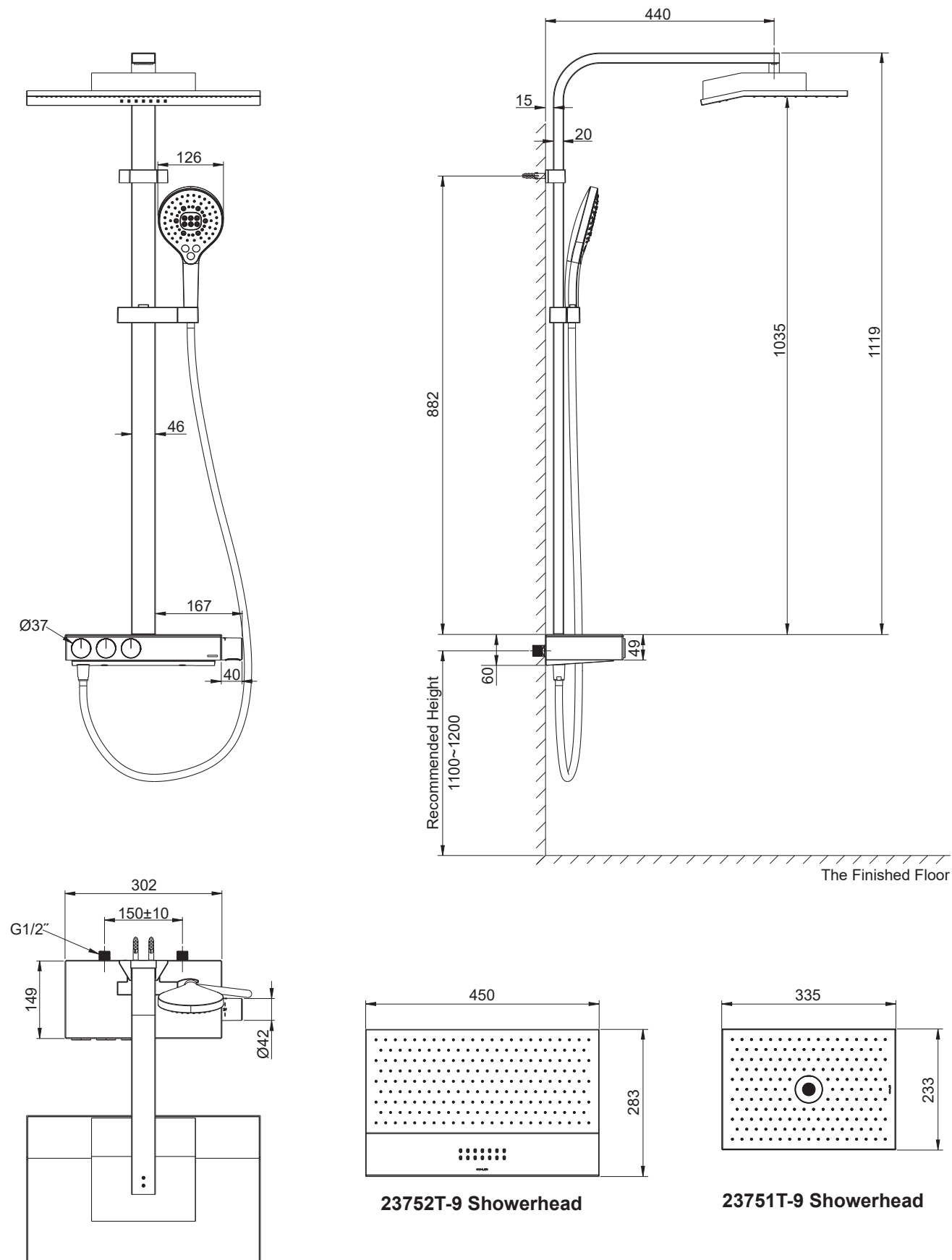
Drill

Pencil

Screwdrivers

Sealant Tape

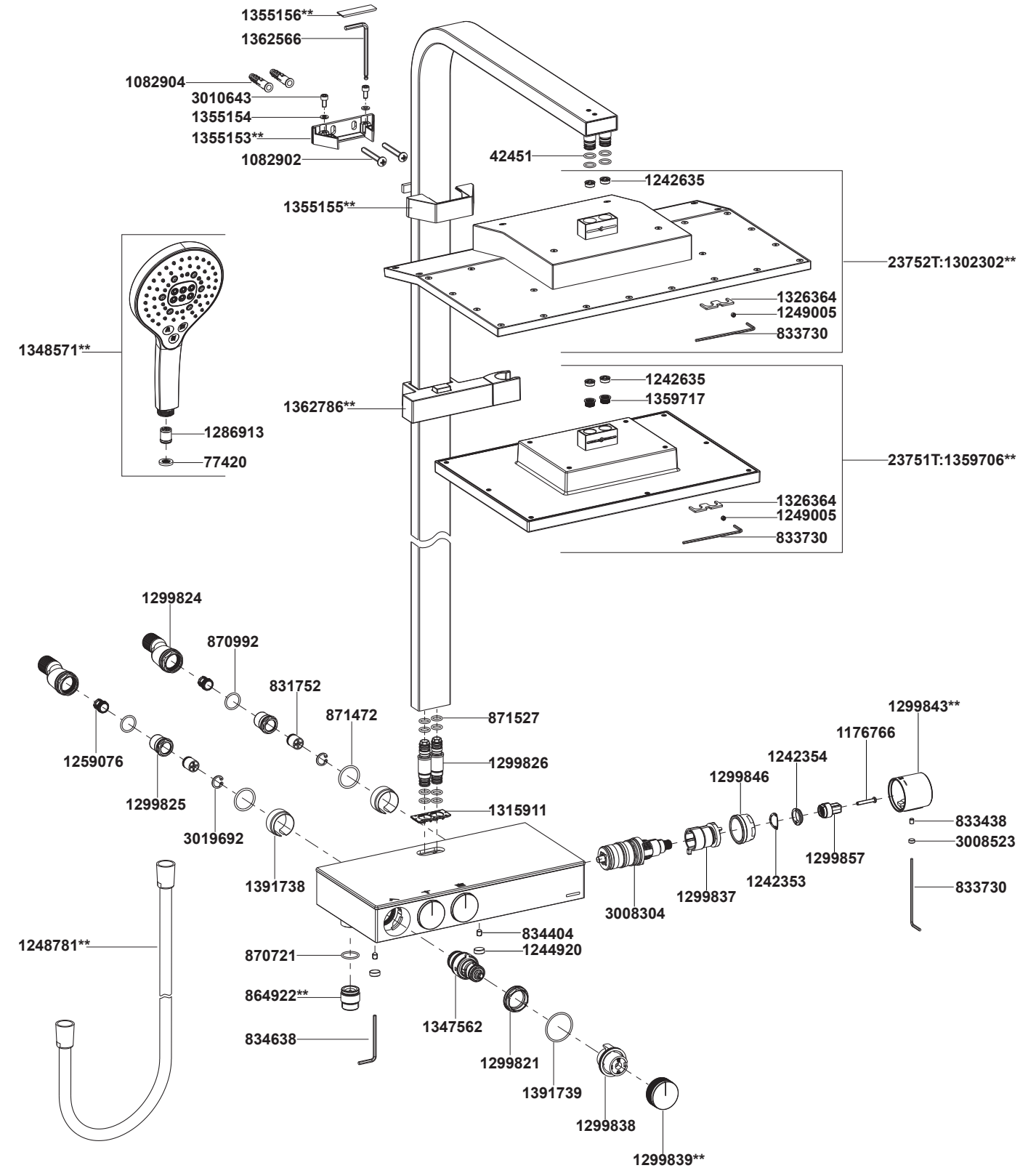
**ROUGH-IN DIMENSIONS (23751T & 23752T)**



**KOHLER®**  
**SERVICE PARTS**

**URBANITY<sup>+</sup>**

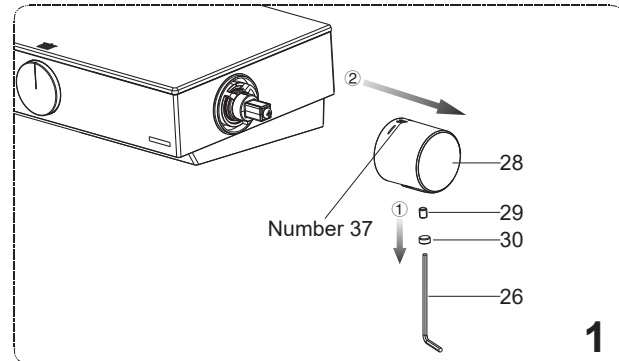
**23751T-9** Thermostatic Dual Shower Column With Multifunction Showerhead  
**23752T-9** Thermostatic Dual Shower Column With Beitou Showerhead



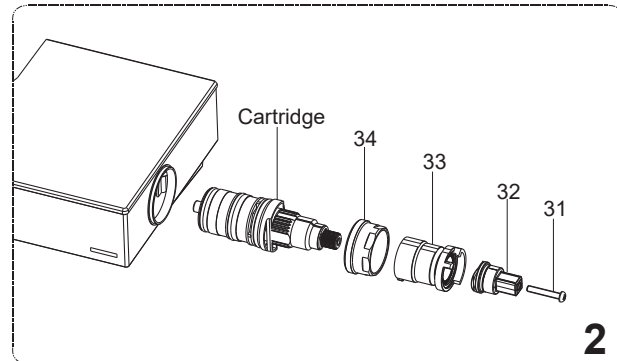
\*\*Color code must be specified when ordering.  
**NOTE:** For all Asia pacific regions (excluding China) add SP (SPxxxxxx\*\*) in front of the part number when ordering.

## Clear the Thermostatic Cartridge

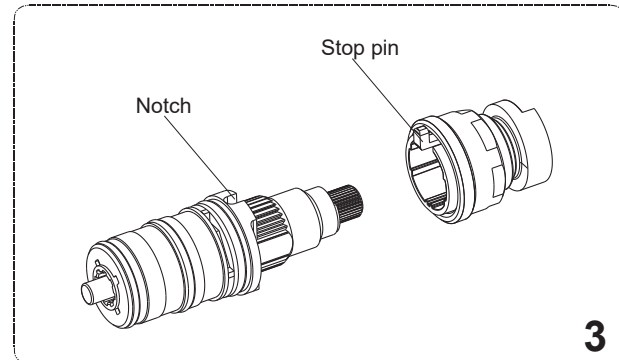
Very hard water can obstruct the filters on the thermostatic cartridge and reduce the flow of water. Please clean the cartridge as follows: Shut off the water supply of the faucet and turn on the water flow valve, then proceed to remove the cartridge. The cartridge is sense part, please be careful.



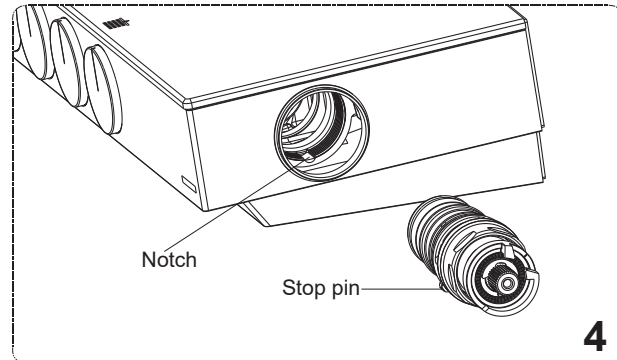
1. Before your action, make sure the number 37 on the temperature handle is upward vertically (It could not be turned counter-clockwise if not pushing the button). Remove the temperature handle (28).



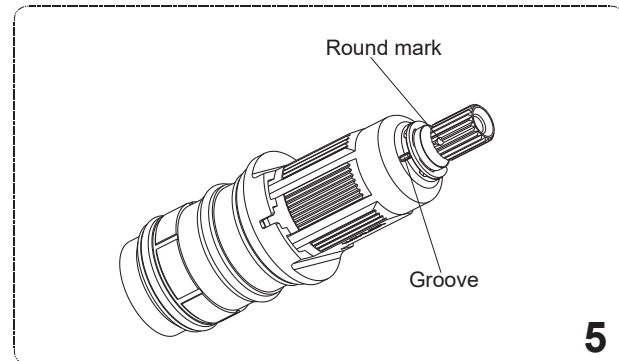
2. Remove the screw (31) and adapter spline (32), and then unscrew the nut (34) and stopper (33). Remove the cartridge cautiously. Clean the thermostatic cartridge by soaking it in warm vinegar.



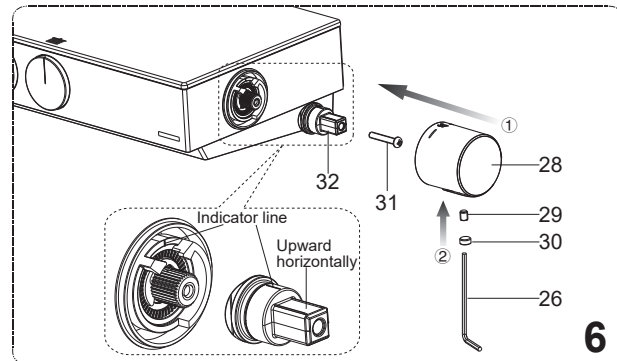
3. After cleaning, install the "stop assembly" back on the cartridge, adjust the stop pin into the notch.



4. Install the assembly cartridge and stop in the body, adjust the stop pin into the notch.



5. **NOTE:** Do not turn the cartridge when reinstalling it. If you turned it without carefully, you should adjust it and be sure that the round mark is correctly in line with the groove, or readjust as per the steps of verification and setting.



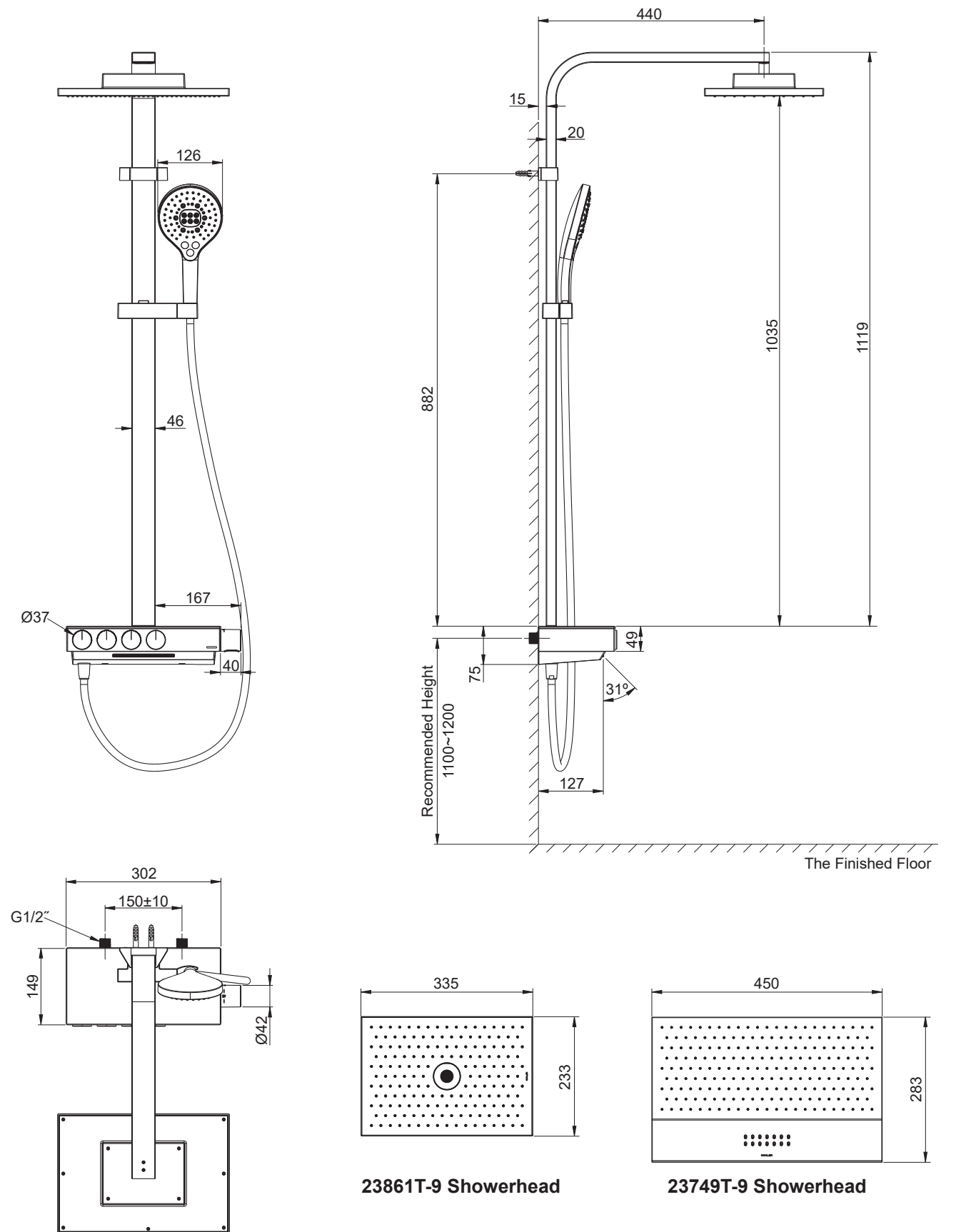
6. Install the adapter spline (without turning the spindle). Ensure the indicator line on the adapter spline align with the indicator line on the stopper. Tighten the screw (31) with a screwdriver. Install the temperature handle (28). Ensure the number 37 on temperature handle is upward vertically (After assembly, it could not be turned counter-clockwise if not pushing the button). Tighten the screw (29) with 2.5mm hex wrench (26). Insert the plug (30).

## CLEANING INSTRUCTIONS

All Finishes: Clean the finish with mild soap and warm water. Wipe entire surface completely dry with clean soft cloth. Many cleaners may contain chemicals, such as ammonia, chlorine, toilet cleaner etc, which could adversely affect the finish and are not recommended for cleaning.

Do not use abrasive cleaners or solvents on Kohler faucets and fittings.

## ROUGH-IN DIMENSIONS (23861T & 23749T)



23861T-9 Showerhead

23749T-9 Showerhead



## INSTALLATION

### Install the Body

To perform installation, installer must provide G1/2" female supply fittings(1), spaced 150mm apart, horizontally and vertically to the finished flat wall. Flush the water supply pipes thoroughly to remove any debris.

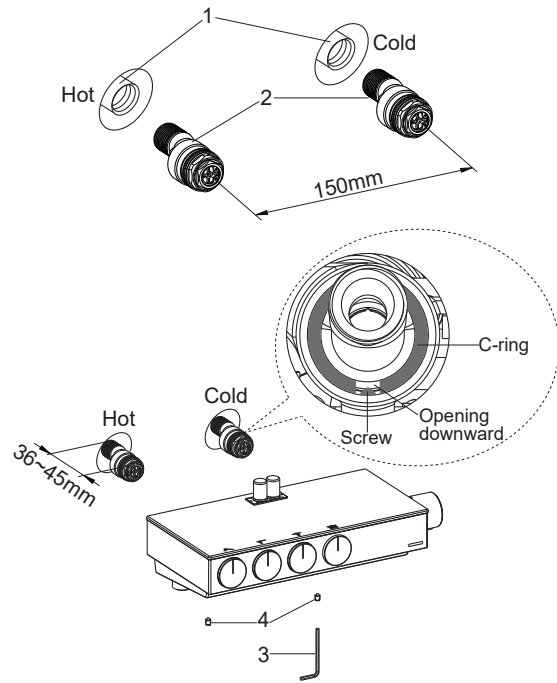
**NOTE:** Apply water pressure test on water supply pipes before installing the connectors(2).

Apply enough tape or suitable sealant on threads of connectors. Install two connectors into the hot and cold supply pipes.

Adjust the center-to-center distance between the connectors to 150mm horizontally. They should extend 36~45mm beyond the finished wall. **NOTE:** Rotate the C-rings with their openings downward, and pull forward the C-rings to clamp the connectors.

Adjust two screws(4) with 3mm hex wrench(3). Install the faucet body to the connectors until it is against the finished wall.

Pre-tighten two screws with 3mm hex wrench(The screws should contact with the connectors through the C-rings' openings). Tighten them after completing the installation of shower column.



### Install the Shower Column and Handshower

**Rehearse the shower column kit installation for the base mounting location determination.**

1. Remove the protector cap from the connecting pipe(5). Insert the shower column onto the connecting pipe firmly to the end.
2. Put the mounting base(6) into the column insert(7)(Make sure the shower column is vertical. Check whether it is vertical with the level(8)). Mark the location of the mounting base with a pencil.
3. Uninstall the shower column. Mark the holes of the mounting base with a pencil.

#### Install the mounting base.

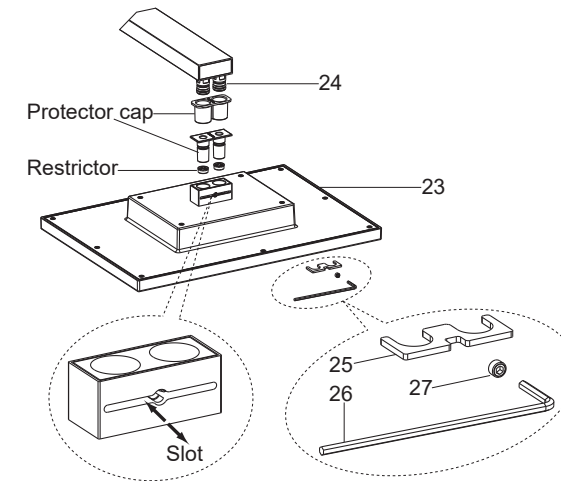
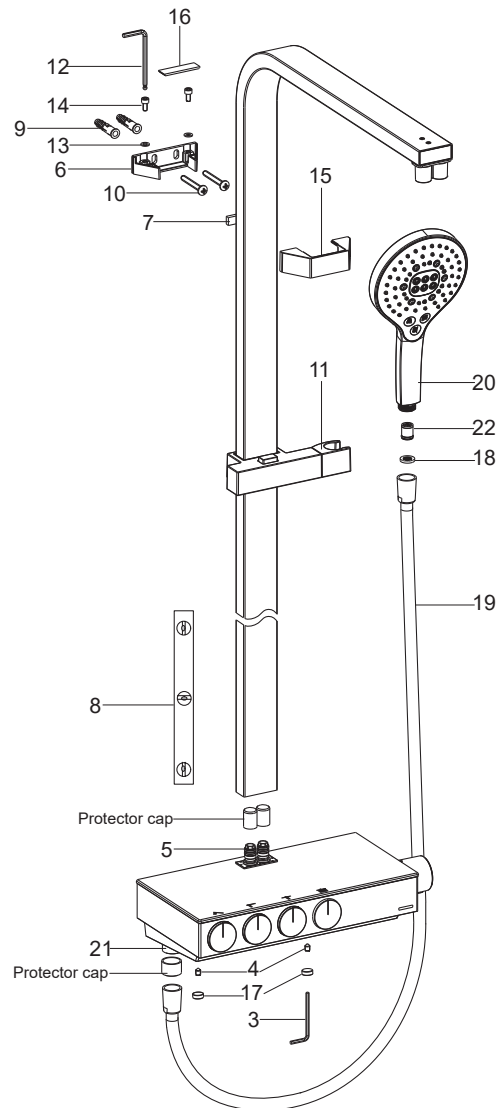
1. Drill Ø10mm holes(The depth is not less than 45mm) on the marks.
2. Insert the anchors(9) into the holes. Tighten the screws(10) with a screwdriver in order to secure the mounting base.

#### Install the shower column.

1. Slide the shower bracket(11) into the shower column. Install the shower column to the mounting base(6) and connecting pipe(5) firmly to the end.
2. Tighten the screws(14) and washers(13) with 4mm sphere hex wrench(12). Install the cover(15). Put the cap(16).
3. Ensure the upper surface of the faucet body is horizontal with the level(8). Tighten two screws(4) with 3mm hex wrench. Press the plugs(17) into the faucet.

#### Install the handshower.

1. Remove the protector cap from the connector(21). Put the screen washer(18) into the shower hose(19). Connect the connector(21) and handshower(20) with hose. **NOTE:** Do not over tighten.
2. Install the check valve(22) into the handshower if needed.
3. Hang the handshower on the shower bracket(11).



### Install the Showerhead

Before installation, install the restrictors if needed. Install the restrictors into the connectors on the showerhead(23).

Remove the protector caps from the tube kit outlet(24) and showerhead separately. **Insert the showerhead to the tube kit outlet as shown.**

Insert the pin(25) into the slot. Tighten the screw(27) with 2.5mm hex wrench(26).

**WARNING:** Ensure the screw is tightened to avoid the product falling and personal injury.

## INSTALLATION CHECKOUT

Ensure that all connections are tight, the switch buttons are not turned on. Turn on the water supply. Run water through the valve. Check for leakage. Repair as needed.

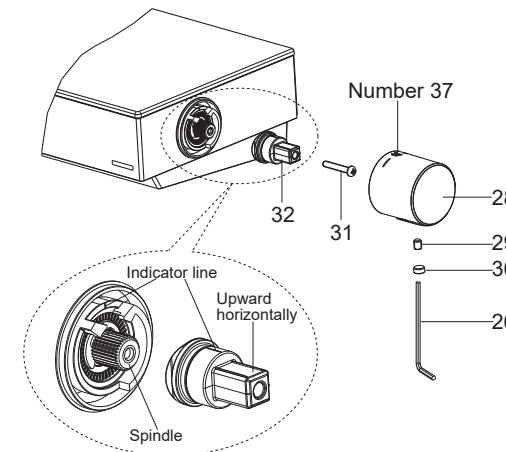
Press the buttons separately. Check whether all connections and water flow are well. Shut off the faucet.

### Verification and Setting

Make sure that the water feeds of the faucet have reach their highest temperature by letting the water run sufficiently. When the number 37 on the temperature handle(28) is upward vertically, the temperature of the water coming out of the faucet must be within a range of 36°C and 38°C, as measured by a thermometer. If this is not the case, the installer can adjust the setting. Proceed with the setting as follows:

Remove the plug(30). Take out the screw(29) with 2.5mm hex wrench(26) to uninstall the temperature handle(28). Remove the screw(31) with a screwdriver. Remove the adapter spline(32).

With the faucet on "cold" normal water flow, slowly turn the temperature selector(Always in the same direction) until water is at 37°C. If the temperature goes over 37°C, go back to the "cold" setting and set again. When the temperature is stabilized, do not turn the cartridge spindle. Install the adapter spline. Ensure the indicator line on the adapter spline align with the indicator line on the stopper. Tighten the screw(31) with a screwdriver. Install the temperature handle. Ensure the number 37 on the temperature handle is upward vertically(After assembly, it could not be turned counter-clockwise if not pushing the button). Tighten the screw (29) with 2.5mm hex wrench. Insert the plug(30).



## CARE AND MAINTENANCE

### Clear the Filter

The filters protecting the faucet device may get obstructed and reduce water flow. When this happens, turn off the water supply, uninstall the shower column.

Take out the plugs(17). Unscrew two screws(4) with 3mm hex wrench(3) to uninstall the faucet. Take out the filters by hand. Clean the filters by soaking them in warm vinegar. Reinstall them in turn.

