

12879T 800mm滑动花洒支架

安装之前

BEFORE YOU BEGIN

所有的资料是按最新出版的产品资料编写而成。科勒公司保留任何时候不经通知即可改变产品特性、包装或产品可供类型的权利。

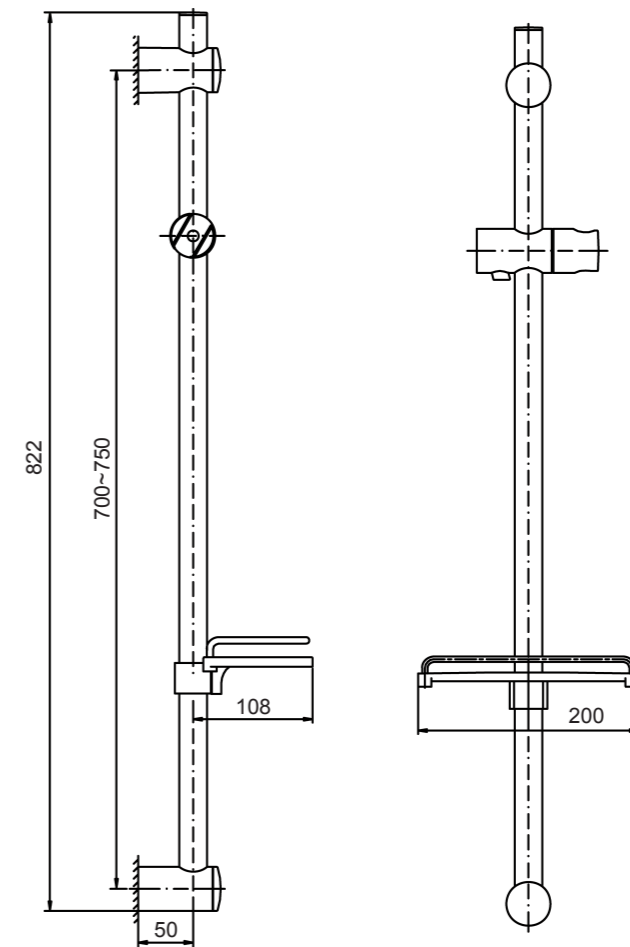
All information is based on the latest product information available at the time of publication. Kohler Co. reserves the right to make changes in product characteristics, packaging, or availability at any time without notice.

说明书包括重要的安装、保养及清洁方面的内容，请把这些资料交给用户阅读。

Please leave these instructions for the consumer. They contain important information.

安装尺寸

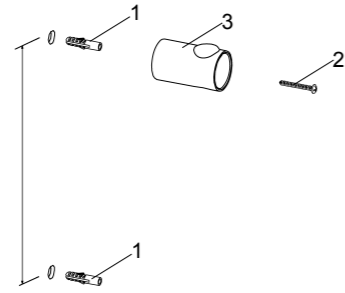
ROUGH-IN DIMENSIONS



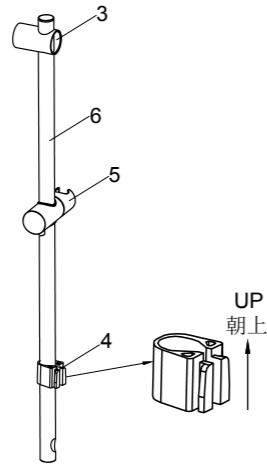
安装步骤

在墙面上选择一个合适的位置，用于安装滑动花洒支架。避开墙面内的电线和管道。

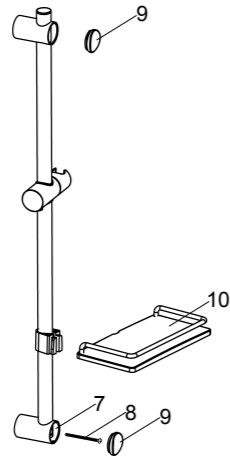
根据标注的尺寸及胀塞直径，在墙面适当高度打两个孔，将胀塞(1)分别装入孔中。用短螺钉(2)将支架(3)固定于墙上。



如图，将皂盘托架(4)，花洒挂架(5)装到支杆(6)上。将支杆穿入支架(3)。



将支架(7)插入支杆，调整位置，用长螺钉(8)将其固定于墙上。塞紧支架盖(9)。将皂盘(10)安装到皂盘托架上。保护罩需留在阀体上。



INSTALLATION

Decide on a suitable position for the slide bar avoiding buried cables and pipes in the wall.

Drill two holes at the proper height in the wall according to the recommended dimension and plugs' diameter. Hammer plugs(1) into the holes. Secure the bracket(3) on the wall with the shorter screw(2).

Slide soap holder bracket(4) and handspray bracket(5) onto the bar(6) as illustrated. Slide the bar into the bracket(3).

Place bracket(7) into bar, adjust it, secure it on the wall with the longer screw(8). Press on covers(9). Put the soap holder(10) onto the soap holder bracket.

清洗说明

适用于所有加工处理过的表面：以中性肥皂水清洗镀层表面，再以干净的软布彻底擦干整个表面，许多清洁剂，比如氨水、去污粉及洁厕灵等，会对电镀表面造成伤害，切忌使用。

有磨损性的清洁用具或清洁剂也不可适用于科勒牌的水龙头及其配件上。

CLEANING INSTRUCTIONS

All Finishes: Clean the finish with mild soap and warm water. Wipe entire surface completely dry with clean soft cloth. Many cleaners may contain chemicals, such as ammonia, chlorine, toilet cleaner etc, which could adversely affect the finish and are not recommended for cleaning.

Do not use abrasive cleaners or solvents on Kohler faucets and fittings.

KOHLER®

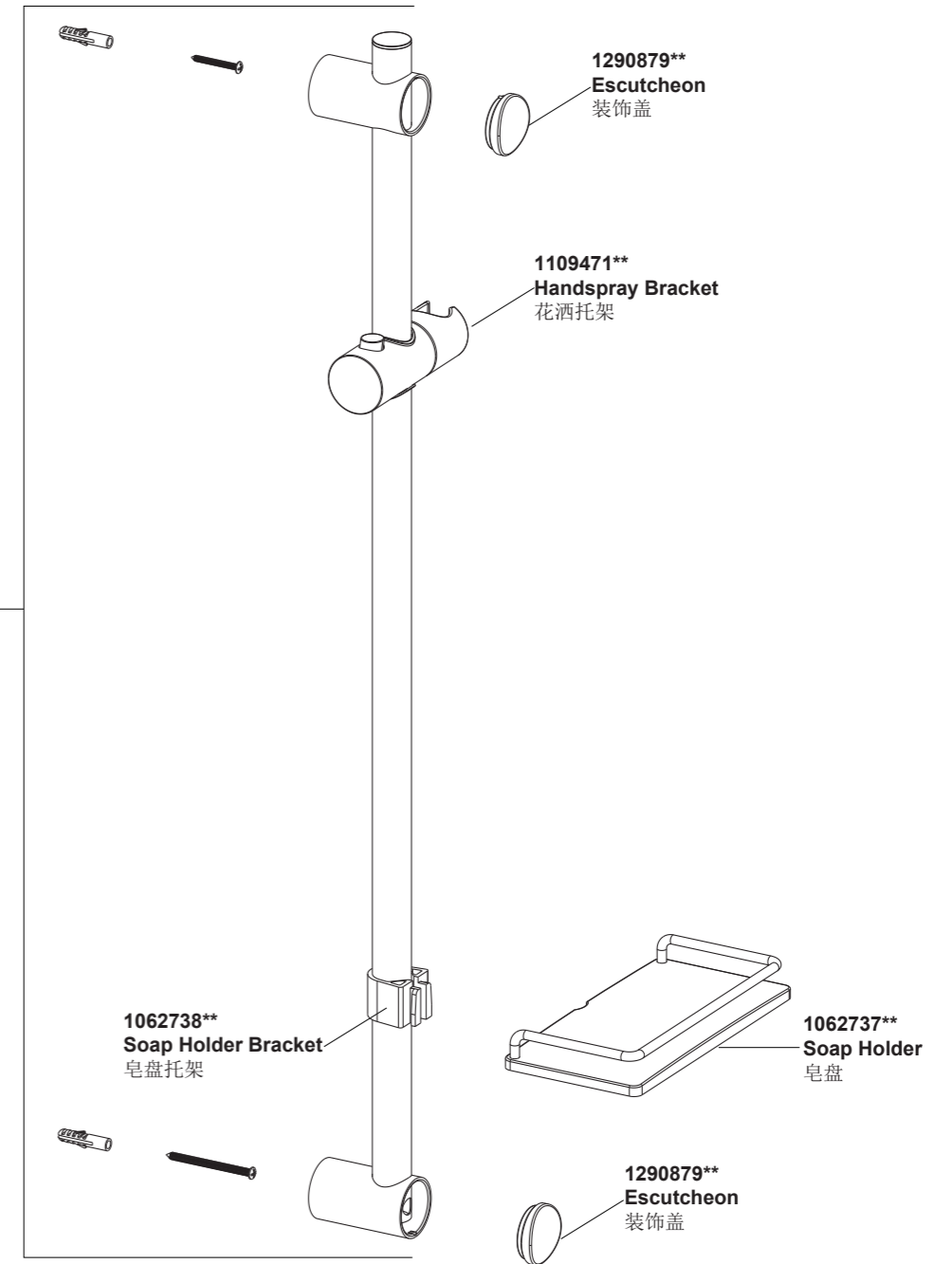
SERVICE PARTS

零件图

800mm Slide Bar

12879T 800mm滑动花洒支架

1060259**
800mm Slide Bar
800毫米滑动花洒支架



**订购时请说明颜色编号
**Color code must be specified when ordering