

12861T 手持花洒
4111T 手持花洒及托架

安装之前

BEFORE YOU BEGIN

所有的资料是按最新出版的产品资料编写而成。科勒公司保留任何时候不经通知即可改变产品特性、包装或产品可供类型的权利。

All information is based on the latest product information available at the time of publication. Kohler Co. reserves the right to make changes in product characteristics, packaging, or availability at any time without notice.

说明书包括重要的安装内容,请把这些资料交给用户阅读。

Please leave these instructions for the consumer. They contain important information.

注意事项:

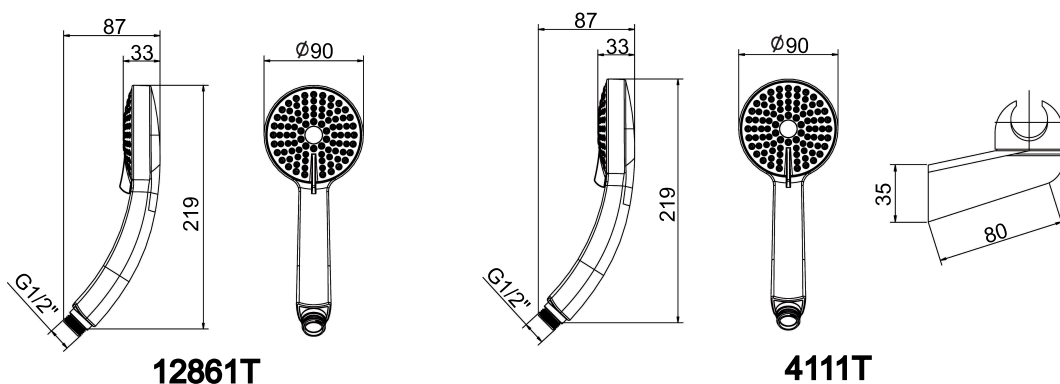
NOTES:

- 1.一定要先彻底冲洗供水管以清除管道中的杂质。
- 2.花洒最高工作压力:0.5MPa(5 bar)。水压超过0.5MPa(5 bar)须安装减压阀。花洒最高工作温度及环境温度:60 C。请特别注意花洒须远离浴霸,否则可能损坏花洒,甚至对使用者造成伤害。

1. Flush the water supply pipes thoroughly to remove debris.
2. The highest working pressure for handspray is 0.5Mpa(5 bars). If it exceeds 0.5Mpa(5 bars), a pressure reducer is needed. The highest water and environment temperature is 60 °C. Please keep handspray away from heater, or maybe damage it and hurt user.

安装尺寸

ROUGH-IN DIMENSIONS

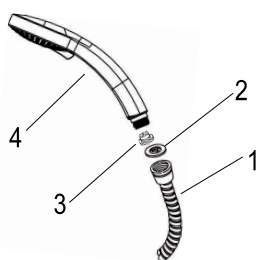


安装步骤

INSTALLATION

如何安装手持花洒

将限流器(3)塞入花洒(4)进水口,用花洒软管(1,客户自备)及垫片(2,客户自备)将花洒连接到水源。



How to Install the Handspray

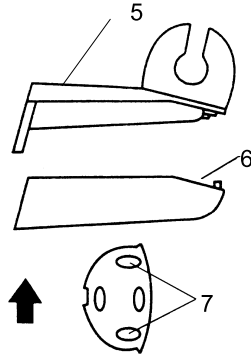
Put the water flow restrictor(3) into the handspray(4) inlet. Connect handspray to water supply with shower hose(1, not provided) and washer(2, not provided).

仅对4111T

如何安装托架

在墙面上选择合适的位置来安装托架。

把托架盖子(6)与底板(5)撬开。在墙壁上安装托架底板位置的记号(7)。在墙上钻两个洞,以便于安装胀塞及螺钉。旋紧螺钉,使托架固定紧贴墙壁。



用托架盖子盖住底板。

将花洒挂在托架上。

Only for 4111T

How to Install the Shower Bracket

Determine a suitable location on the finished wall to install the bracket.

Pry between the bracket cover(6) and base(5) to separate the two parts. Mark bracket base mounting hole locations(7) on wall as shown. Drill two holes in the finished wall as required, for the installation rawlplugs and screws. Tighten screws to secure bracket base to the finished wall.

Replace bracket cover onto bracket base.

Hang the handspray on the shower bracket.

清理说明

适用于所有加工处理过的表面:以中性肥皂水清洗镀层表面,再以干净的软布彻底擦干整个表面。许多清洁剂,比如氨水、去污粉及洁厕灵等,会对电镀表面造成伤害,切忌使用。

有磨损性的清洁用具或清洁剂也不可适用于科勒牌的水龙头及其配件上。

CLEANING INSTRUCTIONS

All Finishes: Clean the finish with mild soap and warm water. Wipe entire surface completely dry with clean soft cloth. Many cleaners may contain chemicals, such as ammonia, chlorine, toilet cleaner etc. which could adversely affect the finish and are not recommended for cleaning.

Do not use abrasive cleaners or solvents on Kohler faucets and fittings.

零件图

SERVICE PARTS

