

RIM OF LAVATORY
脸盆边缘

KOHLER®

K-17890-RL DERRING™ 德灵

WADING POOL® BATHROOM SINK 水漫式圆形艺术台盆 CUT-OUT TEMPLATE / INSTALLATION INSTRUCTIONS 切割图/安装说明书

BEFORE YOU BEGIN

- Observe all local plumbing and building codes.
- Inspect the waste and supply tubing; replace if necessary.
- Prior to installation, unpack the new lavatory and carefully inspect it for damage. Return the lavatory to its protective carton until you are ready to install it.
- For replacement installations, make sure the existing cutout is the same or smaller size as the new lavatory.
- Use the template supplied with the lavatory to mark correct size cutout.
- Kohler lavatory is made according to American National Standard that it can match the American lavatory fittings. Any other lavatory fittings may not fit for Kohler lavatory.
- Fixture dimensions are nominal and conform to tolerances established by ASME Standards (A112.19.2-2013).
- The product complies with GB 6952-2015.

TOOLS AND MATERIALS (Not Supplied)

- Template (supplied)
- Safety glasses
- Pencil
- Scissors
- Tape measure
- Putty knife
- Plumbers putty
- Hacksaw
- Keyhole saw or saber saw
- Drill (13mm or 1/2" dia. drill bit or larger)
- Adjustable wrench
- Pipe wrench
- Tubing cutter

安装之前

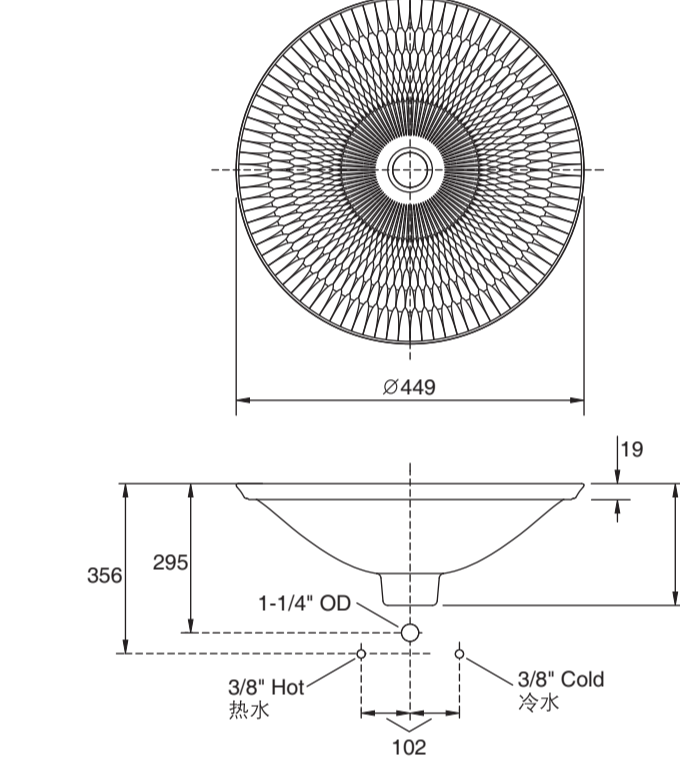
- 留意当地所有给排水及建筑规定。
- 检查污水管及供水管，如有需要请更换。
- 安装之前，先开启新脸盆的包装，并小心检查新的脸盆是否有损坏。再将脸盆放回包装盒内，到安装时才取出。
- 若为更换新脸盆，须确保现有的柜台孔口与新脸盆的切割位相同或较小。
- 请使用同时印在此说明书上的切割图，标划正确之切割位。
- 科勒洗脸盆是根据美国标准制造的，与美式洗脸盆配件相配。其它洗脸盆配件可能与之不相配。
- 部件尺寸为标定值，误差符合美国ASME标准(A112.19.2-2013)。
- 本产品符合GB 6952-2015。

所需工具及物料 (不随货供应)

- 模板(已提供)
- 护眼镜
- 炭笔
- 剪刀
- 卷尺
- 涂油灰刀
- 水管用油灰
- 钢锯
- 匙孔线锯或手提电锯
- 钻(直径为13mm钻头或更大)
- 活动扳钳
- 喉管扳钳
- 切管刀

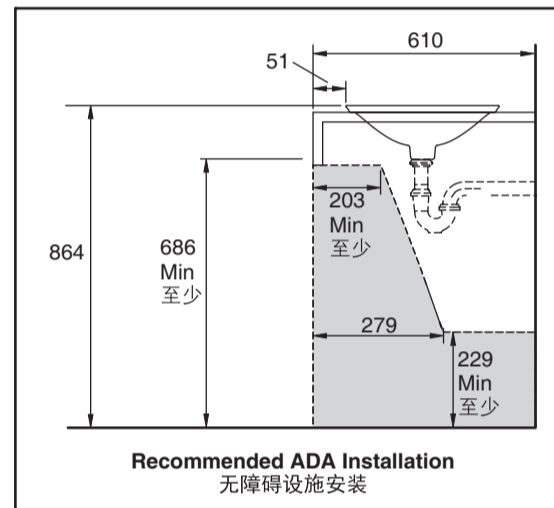
ROUGHING-IN

Reference Value
参考值



尺寸图

Unit: mm
单位: 毫米



Kohler reserves the right to change marked dimensions without prior notice.
科勒公司保留随时变更图中标示尺寸的权利，无需另行通知。

FOR SELF-RIMMING INSTALLATION
沿此线切割

1242827-T01-B

© Copyright Kohler China Investment Co., Ltd. 2017
© 版权为科勒(中国)投资有限公司所有 2017

INSTALL THE LAVATORY

- Choose between a wall-mount or countertop faucet. Either choice will work, although a wall-mount faucet is recommended.
- NOTE:** The sink shown may differ from your actual product. The installation steps still apply.
- Wall-Mount Faucets:** Do not install the faucet trim until instructed.

1. **Countertop Installations:** Position the template on the countertop.

2. **Wall-Mount Faucet:** Faucet spout must be at least 5"(127 mm) in length.

Countertop Faucet: Use the spout centerline on the template to ensure faucet clearance.

3. **Countertop Faucet:** Mark the faucet spout, handle, and sink cutout locations on the countertop.

Re-check the clearance between the lavatory, faucet, backsplash, and cabinet. Adjust the template accordingly.

4. Drill a pilot hole and cut the countertop opening along the traced line.

5. **Countertop Faucets:** Drill the faucet holes. Install the faucet according to instructions.

6. Install the drain.

7. Apply a thin, continuous bead of sealant around the sink opening.

8. Position the sink in the opening. Wipe away excess sealant. Allow the sealant to cure.

9. **Wall-Mount Faucets:** Install the faucet trim by following the instructions.

10. Complete the water supply and drain connections.

11. Run water into the sink and check all connections for leaks.

安装脸盆

- 请选择墙式或台式龙头，推荐使用墙式龙头。
- 注意：**图示台盆可能与实际产品有所出入，不影响安装。
- 墙式龙头：**请勿随意安装墙式龙头装饰圈。

1. 安装台面，将切割模板置于台面。

2. 墙式龙头：龙头的长度至少为5"(127mm)。

台式龙头：用龙头喷嘴中心线确保龙头和脸盆间有足够间距。

3. 台式龙头：在切割模板上标记出龙头喷嘴、把手和台盆的位置。

再次检查脸盆、水龙头、防溅挡板及储物柜的空间及距离，如有需要可调整切割图的位置。

4. 钻导孔，并沿着模板切割台面。

5. 台式龙头：钻龙头孔，按照龙头说明书安装龙头。

6. 安装落水。

7. 沿着台面开口处均匀地涂上一层硅胶。

8. 将台盆放进台面开口处，抹去多余硅胶，等待硅胶固化。

9. 墙式龙头：按照说明书安装龙头装饰圈。

10. 连接进水管和落水。

11. 试水，检查是否有渗漏。

IMPORTANT CONSUMER INFORMATION (CARE AND CLEANING)

To keep your lavatory looking new, make sure you rinse it out thoroughly after each use. **DO NOT USE ABRASIVES** on this product, as they will scratch and ruin the surface. Stubborn stains, paint, or tar can be removed with turpentine or paint thinner. Do not use the product in the water below 0°C.

CAUTION: Please do not use hard materials (like scouring pad) to clean product surface, especially the product logo.

For Artist Edition Products:

Treat your decorative product just as you would treat your fine china. The best way to clean it is to use warm water and pat dry with a cotton cloth or soft sponge. **DO NOT** use bristle brushes or abrasive-backed sponges. They will scratch the decorative surface.

用户须知 (护理和清洁)

为保持脸盆光洁如新，须确保每次使用后彻底冲洗干净，切勿使用腐蚀性的清洁剂，以免刮花及破坏脸盆的表面。要清除顽固污垢，油漆或柏油，可使用松油或油漆稀释剂。

不要在0°C以下的水环境中使用。

警告：请勿使用钢丝球等硬质材料擦洗产品表面，特别是产品商标处。

艺术陶瓷品使用及保养须知：

请您像珍惜您的珍贵瓷器一样对待您的艺术系列产品。最佳清洗方式为使用温水清洗，然后用棉布或软海绵轻轻拍干。请勿使用粗糙的刷子或带刷面的海绵，以免划伤装饰表面。

