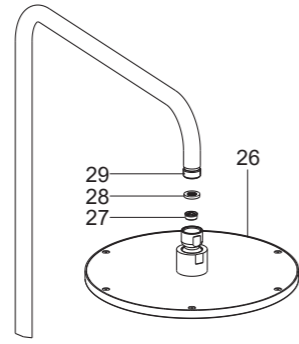


**订购时请说明颜色编号

**Color code must be specified when ordering

如何安装头顶花洒

安装头顶花洒(26)前, 旋转切换把手至头顶花洒出水状态, 打开冷热水源冲掉管路中的杂质。



根据需要安装限流器(27)。先取出垫片(28), 按图示方向放入限流器, 再装回垫片。将头顶花洒旋到弯管组件出水口(29)上, 用带状扳手锁紧。

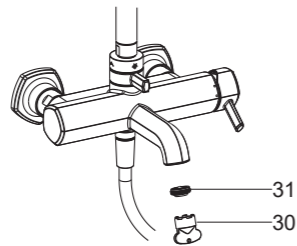
How to Install the Showerhead

Before installing the showerhead(26), turn the diverter handle to the position for showerhead. Flush hot and cold water supplies to remove any debris.

If needed, put the regulator(27) into the showerhead. Take out the washer(28) and install the regulator as shown, reinstall the washer. Tighten the showerhead onto the tube kit outlet(29) with strap wrench.

安装结果检查

检查并确保所有衔接螺母都已拧紧。确保把手在关闭位置。打开主供水源, 检查是否有漏水。如有漏水, 修理之。



仅对于EX27032T, 用起泡器工具(30)拆下起泡器(31)。冲洗起泡器, 关闭水龙头, 重新装回起泡器。

INSTALLATION CHECKOUT

Ensure all connections are tight. Ensure the handles are in the off position. Turn on the main water supply, and check for leaks. Repair as needed.

Only for EX27032T, remove the aerator(31) with key(30). Remove any debris from the aerator. Shut off the faucet. Reinstall the aerator.

清洗说明

适用于所有加工处理过的表面: 以中性肥皂水清洗镀层表面, 再以干净的软布彻底擦干整个表面, 许多清洁剂, 比如氨水、去污粉及洁厕灵等, 会对电镀表面造成伤害, 切忌使用。

有磨损性的清洁用具或清洁剂也不可适用于科勒牌的水龙头及其配件上。

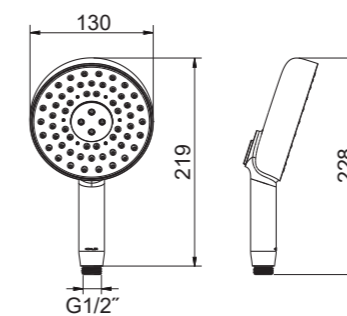
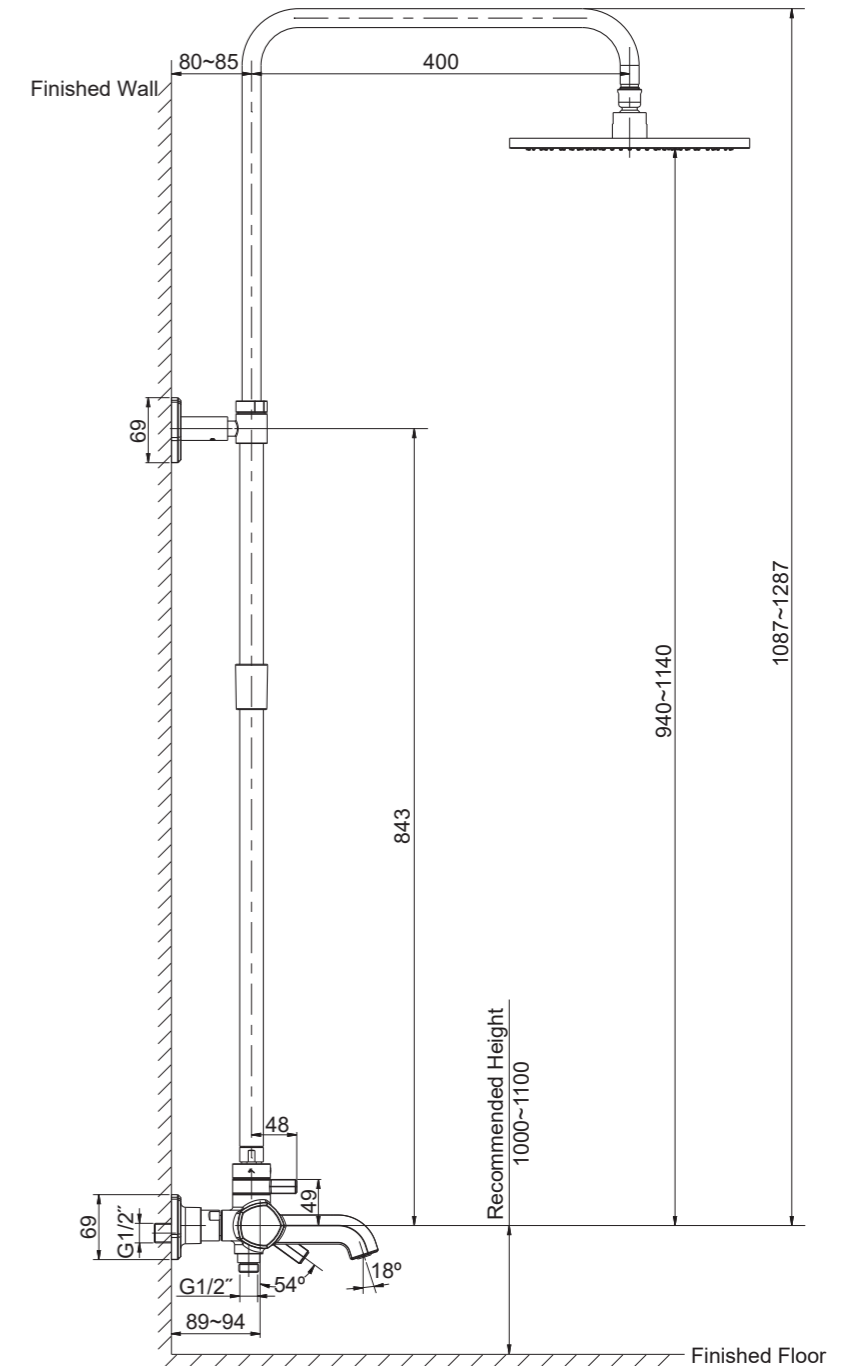
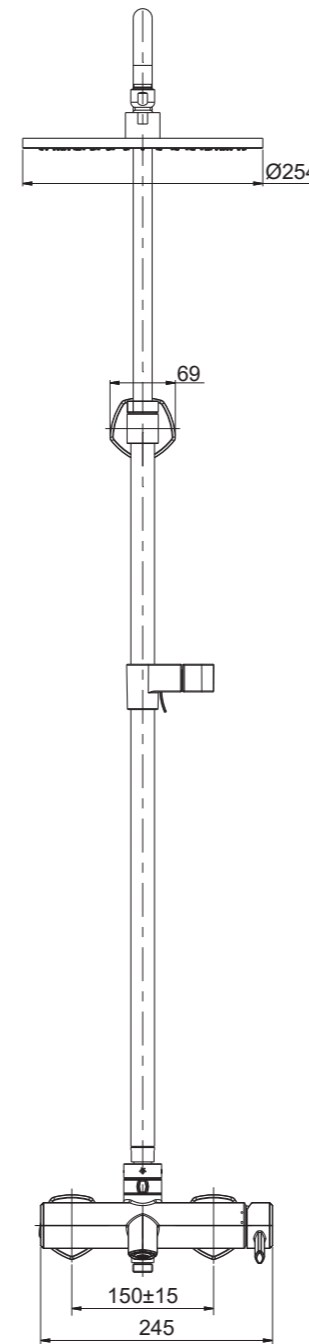
CLEANING INSTRUCTIONS

All Finishes: Clean the finish with mild soap and warm water. Wipe entire surface completely dry with clean soft cloth. Many cleaners may contain chemicals, such as ammonia, chlorine, toilet cleaner etc. which could adversely affect the finish and are not recommended for cleaning.

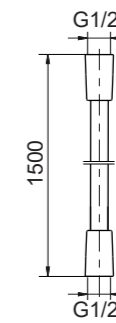
Do not use abrasive cleaners or solvents on Kohler faucets and fittings.

安装尺寸(EX27032T-4)

ROUGH-IN DIMENSIONS (EX27032T-4)



Handshower



Hose

安装步骤

如何安装水龙头

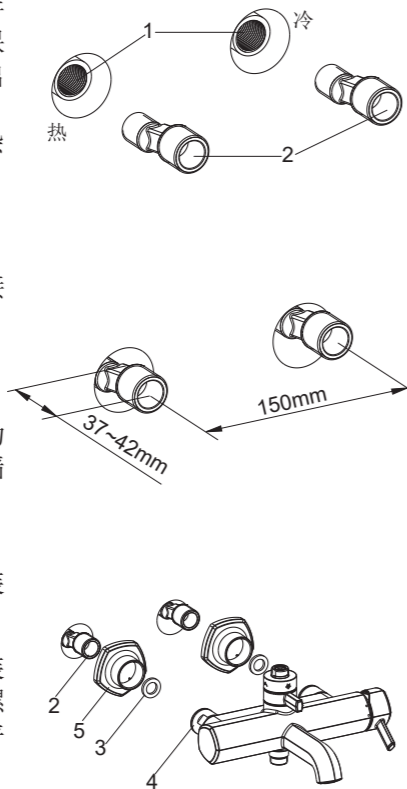
为使安装顺利，G1/2"内螺纹管道配件(1)应已装好，预留150mm的间距，保持水平。管道配件要垂直并不能突出装修好的墙面。热供水管装在左边。彻底冲洗供水管，以清除管路中的杂质。

使用合适的螺纹密封膏，安装两个接头(2)到冷热供水管。

调节两个接头，使其中心距离为150mm，并保持同一水平线，凸出墙面37~42mm。

把垫片(3)放入水龙头螺母(4)内。把装饰罩(5)套在螺母上。

把螺母旋到接头(2)上并旋紧。后推装饰罩使其紧贴墙壁。**注意：**在锁紧螺母时，须用带状扳手或用软布垫在普通扳手和螺母之间，以保护镀层表面。



INSTALLATION

How to Install the Faucet

To perform installation, installer must provide G1/2" female supply fittings(1), spaced 150mm apart and horizontally. The supply fittings should be vertical and not beyond the finished wall. Hot supply pipe must be located on the left. Flush the water supply pipes thoroughly to remove debris.

Use appropriate thread sealants on threads of offset connectors. Install two offset connectors(2) into the HOT and COLD supply pipes.

Adjust the center-to-center distance between the connectors to 150mm horizontally. They should extend 37~42mm beyond the finished wall.

Put the washers(3) into the nuts(4). Slide the escutcheons(5) onto the nuts.

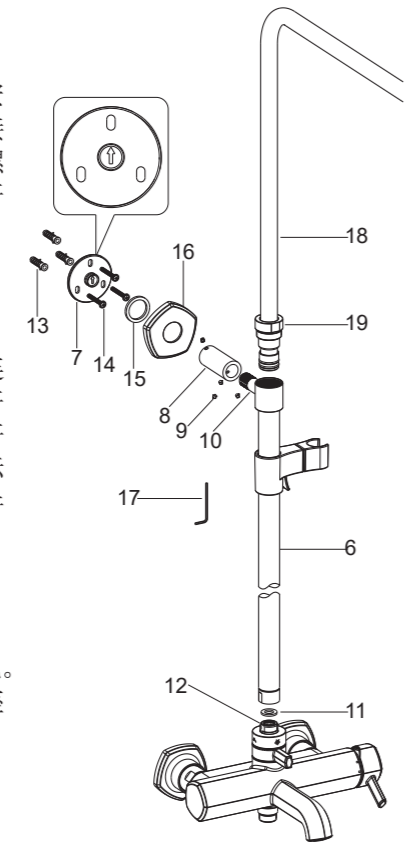
Thread the nuts to the connectors(2). Push the escutcheons until they are against the finished wall. **NOTE:** When tighten the nuts, use strap wrench or soft cloth between product and regular wrench to protect the finish.

如何安装淋浴柱

试装滑杆组件(6)，以确定底座(7)的安装位置。将连接管(8)与底座连接(**注意：**底座上的箭头朝上)，并用螺钉(9)锁紧。将连接管另一端套在滑杆组件接头(10)上。

将垫片(11)放到龙头出水口(12)上。连接龙头出水口与滑杆组件(6)。将滑杆组件竖直放置。调整连接管，使滑杆组件平行于墙面。用铅笔在墙壁上标出底座安装孔位。分别拆下滑杆组件和连接管(**注意：**切勿弄丢螺钉)。

根据胀塞(13)直径在墙面上标记处打孔。放入胀塞，用自攻螺钉(14)固定底座(**注意：**底座上箭头朝上)。



How to Install Shower Column

Rehearse slide bar kit(6) installation for the base(7) mounting location determination. Connect the tube joint(8) and the base (**Note:** The arrow in the base is upward), tighten them with screws(9). Set the other end of the tube joint on the supporter(10).

Put the washer(11) onto faucet outlet (12). Connect the faucet outlet and slide bar kit(6). Place the slide bar kit upright and parallel to the finished wall. Mark the holes of base with a pencil on the finished wall. Uninstall the slide bar kit and tube joint. (**Note:** Don't lose the screws.)

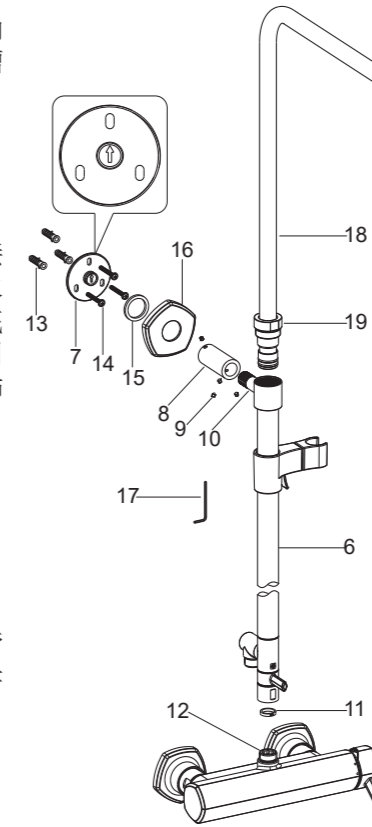
Drill holes in the finished wall according to the diameter of the anchors(13) and the position of mounting base. Insert the anchors into the holes. Secure the mounting base by self-tapping screws (14). (**Note:** The arrow in the base is upward).

EX27032T-4

确认垫片(11)在龙头出水口(12)上。确保垫片(15)粘贴在装饰罩(16)底部凹槽中。

将连接管(8)和装饰罩套在滑杆组件接头(10)上。使滑杆组件下端与龙头出水口相连，上端的连接管套在装好的底座上。保持滑杆组件平行于墙面，用六角扳手(17)锁紧螺钉(9)，旋紧装饰罩直至接触墙壁。

取下弯管组件(18)的保护套并扔掉。将弯管组件装入滑杆组件，然后用带状扳手或用软布垫在普通扳手和螺母之间，将螺母(19)旋紧到滑杆组件上，保持弯管出水口朝前。



EX27030T-4

Ensure the washer(11) is installed on the faucet outlet(12) and the washer (15) is stuck into the groove of the escutcheon(16).

Install the tube joint(8) and escutcheon onto the supporter(10). Connect the slide bar kit and faucet outlet. Slide the tube joint onto the base. Make sure the slide bar kit is parallel to the finished wall. Tighten the screws(9) with hex wrench(17). Screw the escutcheon until it against wall.

Remove and discard the guard from the tube kit(18). Install the tube kit into the slide bar kit. Then screw the nut(19) onto the slide bar kit with strap wrench or soft cloth between the nut and regular wrench. Ensure the outlet of the tube kit faces front.

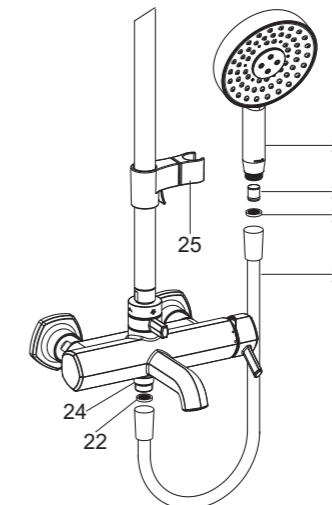
如何安装手持花洒

安装手持花洒(20)前，旋转左把手至手持花洒出水状态，打开冷热水源冲掉管路中的杂质。

根据需要，将单向阀(21)塞入手持花洒进水口，将垫片(22)放入软管(23)接头内，用软管连接接头(24)和手持花洒。

锁紧所有衔接螺母。

将手持花洒挂在花洒挂架(25)上。



EX27032T-4

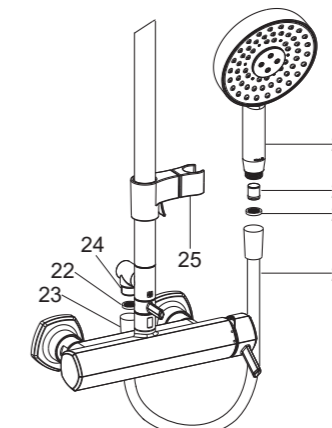
How to Install the Handshower

Before installing the handshower(20), turn the left handle to the position for handshower. Flush hot and cold water supplies to remove any debris.

If needed, put the check valve(21) into the handshower. Put the washers(22) into the hose(23). Connect the connector (24) and handshower with hose.

Tighten all the connectors.

Hang the handshower on the shower bracket(25).



EX27030T-4