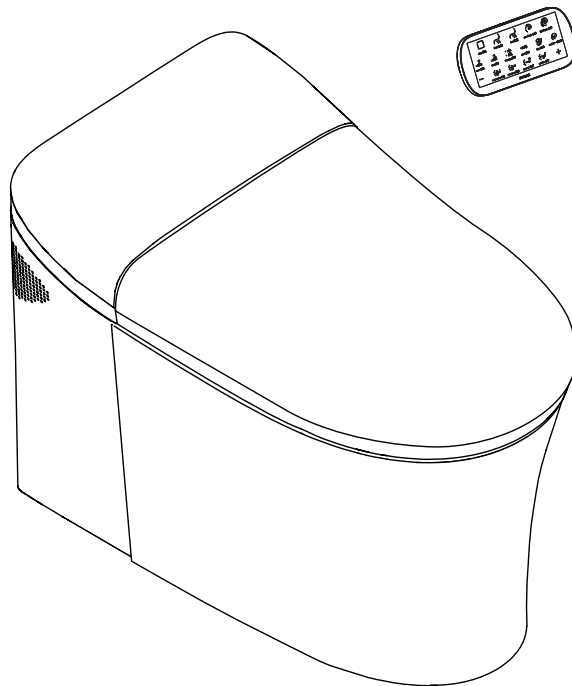


# Installation Guide

## 安装说明

EIR INTELLIGENT TOILET

尚思智能座便器



科勒（中国）投资有限公司

中国上海市静安区江场三路158号 邮编：200436

制造商：上海科勒电子科技有限公司

中国上海市宝山区丰翔路1955号 邮编：200444

English page 2-19

中文页码 20-37

1295779-T01-L




THE BOLD LOOK  
OF **KOHLER**®

## BEFORE YOU BEGIN

- Please read the following instructions carefully and familiarize yourself with the required tools, materials, and installation sequences. Follow the section that pertains to your particular installation. This will help you avoid costly mistakes. In addition to proper installation, please also read all operating and safety instructions.
- All information in the instructions is based upon the latest product information available at the time of publication. Kohler China reserves the right to make changes in product characteristics, packaging, or availability at any time without notice.
- These instructions contain important care, cleaning, and warranty information - please leave instructions for the consumer.
- We appreciate your commitment to Kohler quality. Please take a few minutes to review this manual before installation. If you encounter any installation or performance problem, please don't hesitate to contact us. Thanks again for choosing Kohler Company.
- Pre-arrange enough space for toilet installation. Make sure it will not affect the opening and closing of the door.
- When install the product in the room, a stop valve shall be installed in a close proximity. For emergency circumstances, the water inlet valve shall be stopped without using any tools; otherwise unexpected failure may cause the loss to the customer.
- Rough-in dimension shall be 290-320mm for product discharge dimension is 305mm; rough-in dimension shall be 370-420mm for product discharge dimension is 400mm. if not, the installation will be compromised.
- Confirm water supply stop must extend no more than 3mm beyond the finished wall or sink no more than 5mm below finished wall or the installation will be compromised.
- DN15mm or larger main water pipe is recommended.
- Do not use attachments not recommended by Kohler Co. such as angle valve etc.
- In order to achieve a better flush performance, customer shall avoid any obvious pipe necking or blockage from thermal melt during PPR pipe connection, and ensure ID no less than 15mm after connection.
- Reserve cables during wall preparation. Cable spec is 1mm<sup>2</sup>-2.5mm<sup>2</sup> hard wire, connect only to 220V~, 50Hz, 10A or more circuit protected with grounded circuit-breaker or grounded electric leak circuit breaker.
- When user cut power supply off, if reactivation of power supply is required, please wait until the end of "beep....." indication, and then turn on power supply again.
- Correct grounding is required.
- The stationary wiring must have a contact for separation that provide full disconnection under overvoltage category III condition.

---


## NOTE

-  **DANGER:** Risk of electric shock. Disconnect power before using.
-  **WARNING:** Risk of electric shock. Connect only to circuits protected by Ground-Fault Circuit-Interrupters (GFCI's) or Earth-Leakage Circuit-Breakers (ELCB's).
-  **CAUTION:** Risk of hazardous gases. If a new toilet is not installed immediately, temporarily place a rag in the floor flange opening.

NOTICE: Follow all local plumbing and electrical codes.

NOTICE: Receptacles (if any) installed in bathrooms shall be located at least 1 meter from a bathtub or shower if practical.

- Observe all local plumbing and building codes.
- Carefully inspect the new toilet for damage.
- Water and electrical supplies may be wall mounted.

-  **WARNING:** Risk of electric shock for hardwires installations/through-floor electrical supply: Connect only to properly-grounded, dedicated 220V~, 50Hz, 10A circuit protected by a Class A Ground-Fault Circuit-Interrupter (GFCI) or Earth- Leakage Circuit- Breaker (ELCB).

 **WARNING: 10A receptacle is required.**

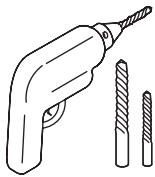
## Required tools and material (not along with package)

Drill and bits, Expansion bolt and insert, Gasket, Assorted screwdrivers (crosshead, flat, plum head), Wire stripper, Scissor, Socket wrench, Utility knife, Pen, Pliers, Tape, Test pencil, PTFE Tape

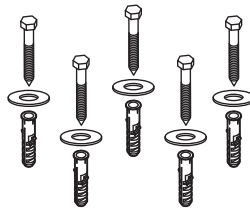
Others

Pad and protection material

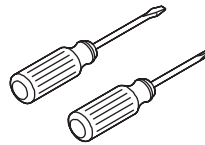
Masking tape



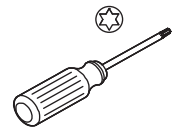
Drill with Assorted Bits



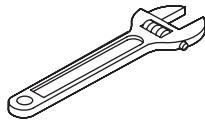
Expansion bolt and insert, Gasket



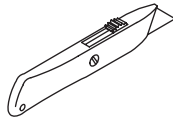
Assorted  
Screwdrivers



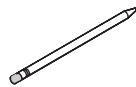
plum head screwdriver



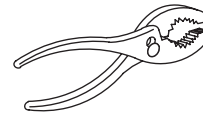
Adjustable Wrench



Knife



Pencil



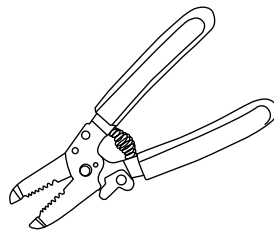
Pliers



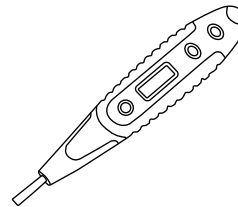
Band Tape



Scissors



Wire stripper



Test pencil

# Dimension drawing

Unit: mm

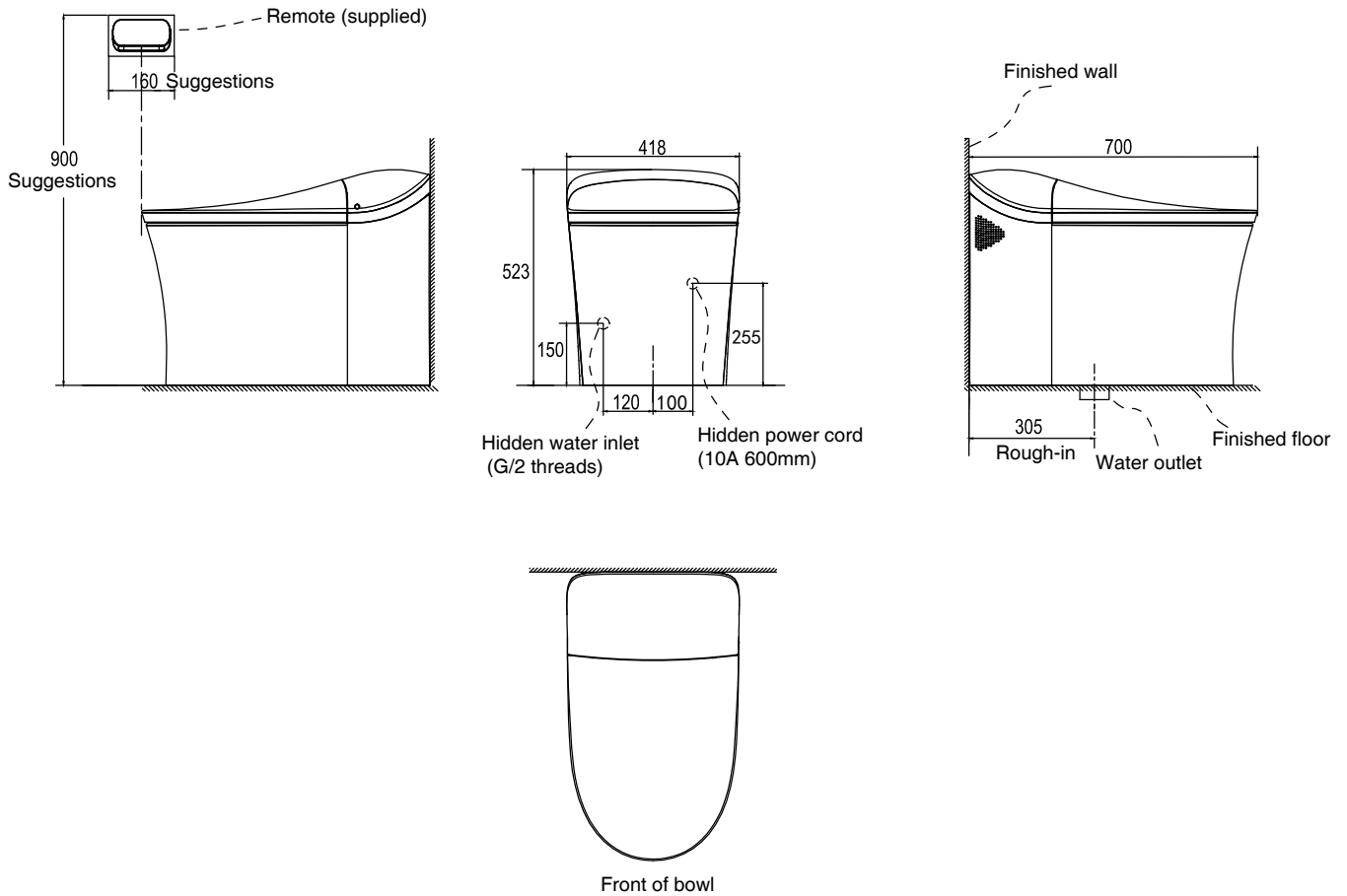


Fig.#3

Kohler reserves the right to change marked dimensions without prior notice.

## SPECIFICATIONS

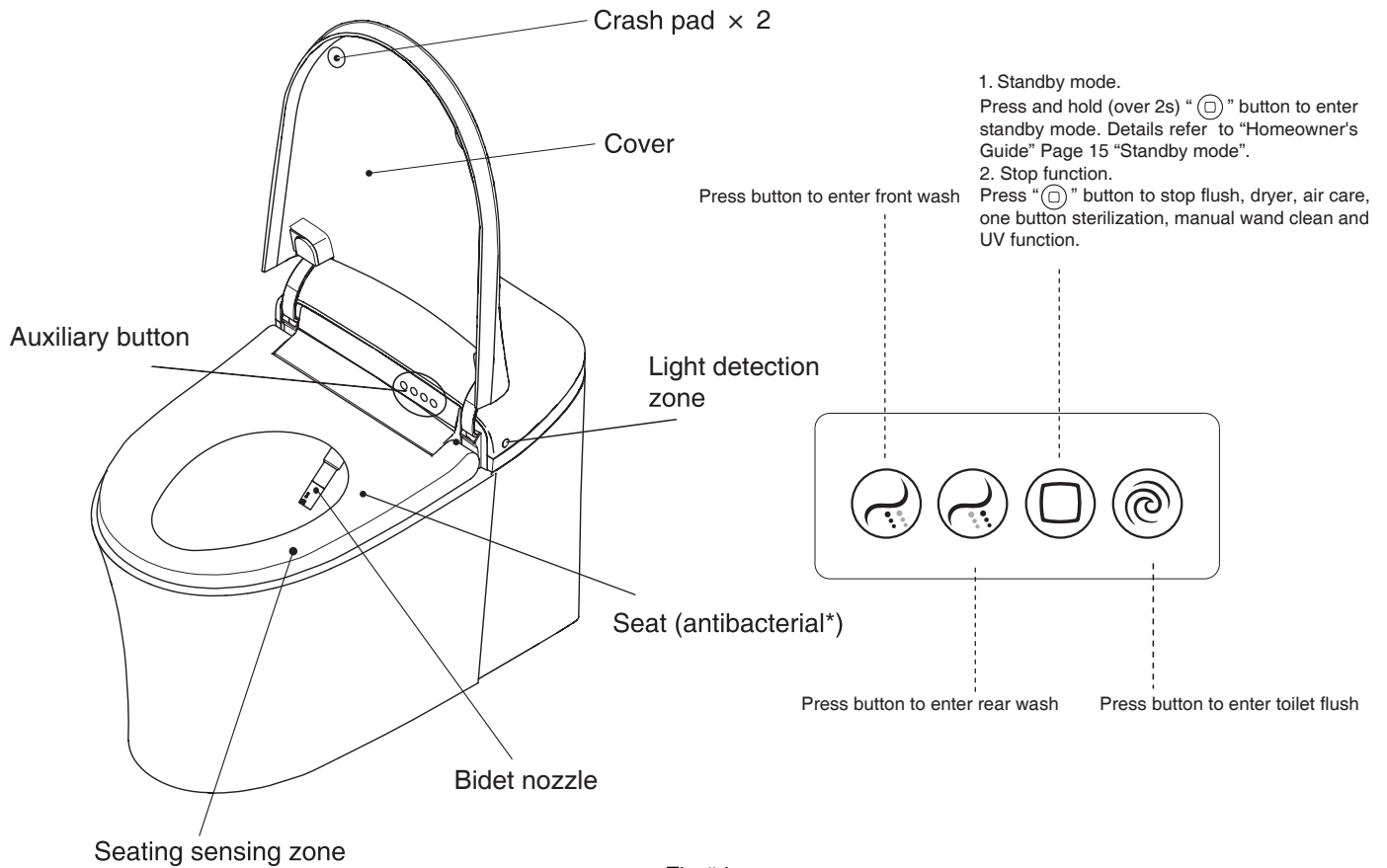
Flush volume	Average 3.3L, Full flush 3.8L, Flush ECO 3.0L
Water efficiency grade*	Level III
Pit distance	Floor drain 305/400mm, wall drain (Refer to product configuration table)
Water pressure	Min water pressure 0.07MPa (dynamic pressure) Max water pressure 0.74MPa
Rated voltage	220V~, 50Hz
Rated power*	1080W
Max instantaneous power	About 1600W
Length of power line	Refer to product configuration table
Product outline dimension	About 700mm X 418mm X 523mm
Weight of product	About 46kg
Inlet water temp	1-35°C
Operation Environment	1-40°C

NOTE: refer to "Homeowner's Guide" for detailed specifications of the bidet seat.

\* The description of water efficiency label marked on intelligent toilet; water efficiency label represents a compliance mark of the water efficiency grade etc. performance of intelligent toilet.

\* Power value testing condition: dynamic pressure 0.2MPa, inlet water temp 15°C.

## Overall Sketch



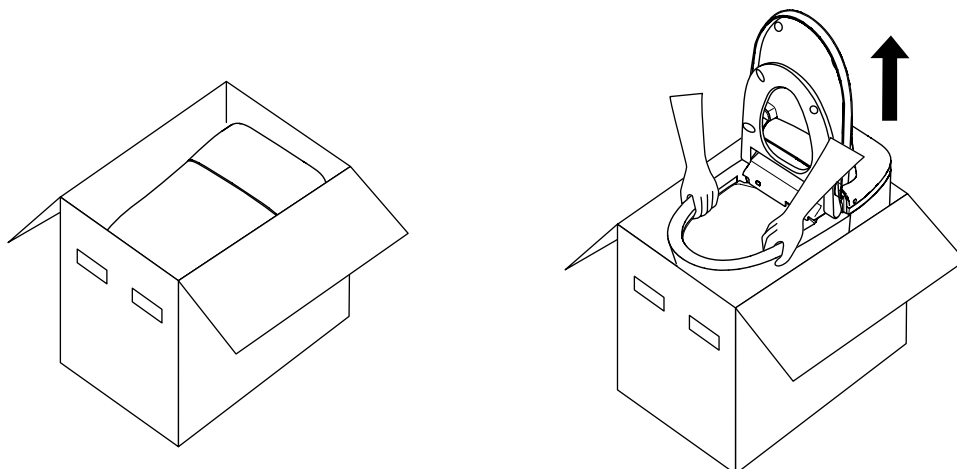
\* Antibacterial: the seat contains long term inorganic anti-bacteria material which will inhibit bacteria growth on surface, this does not represent the mildew and other incidental effects. The antibacterial rate is more than 90%. (Perform test in accordance with GB21551.2-2010 requirements. Testing lab: China household electrical appliances testing institute; electromechanical products testing technology center of Shanghai Entry-Exit inspection and quarantine bureau.)

## PREPARATIONS BEFORE INSTALLATION

A. Hold the rim of the vitreous shell and take the toilet out.

**WARNING:** Risk of personal injury and product damage! Please do not hold the rim of the bidet seat when lifting the toilet. As the toilet is heavy, please seek help if necessary.

**Note:** do not remove cover and seat protection bag during installation process.



B. Place an 800mmX800mm cushion on the floor, take the toilet out from the carton then place on cushion.

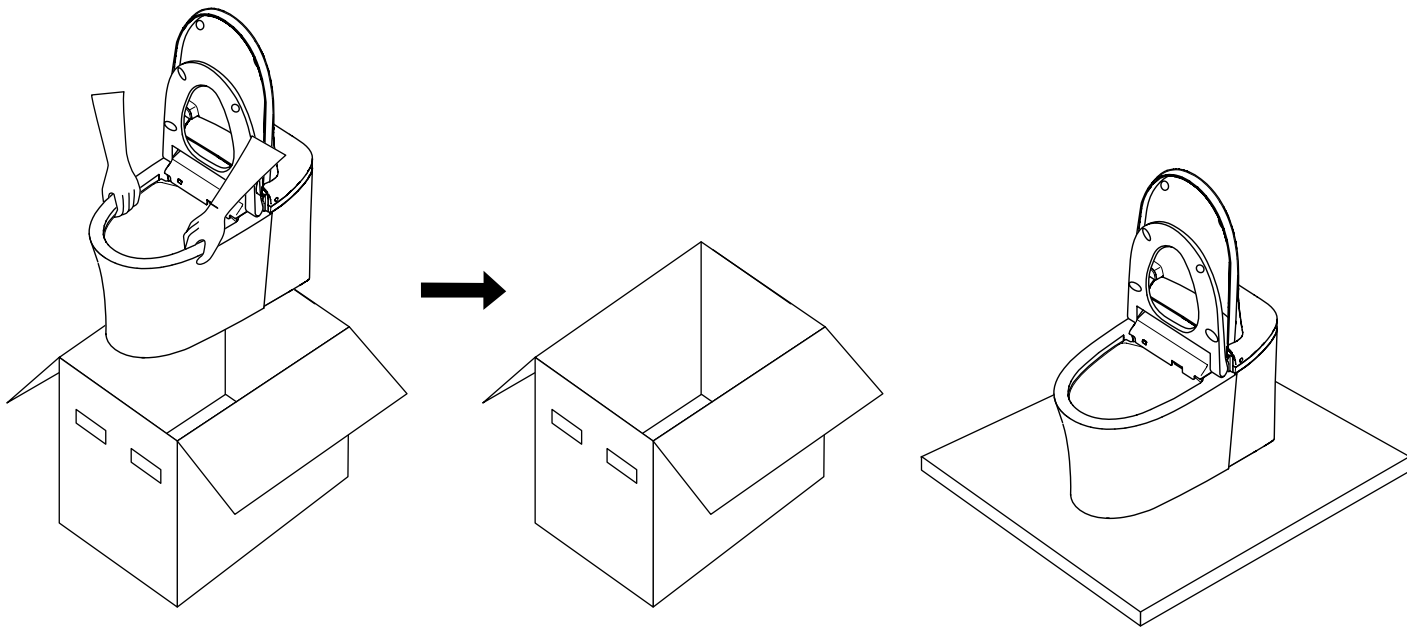


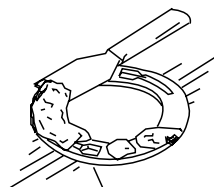
Fig.#6

## INSTALLATION

### A. Remove Existing Toilet (If any)

Turn off the water supply. Flush the toilet, and use a sponge to remove the remaining water from the tank and bowl. Disconnect water supply shut-off valve (if any), and remove the residual tank and bowl. Remove old gasket from the floor and toilet flange accessory bag with a putty knife. Dismantle residual T-bolts and discard them.

NOTICE: if a new toilet is not installed immediately, temporarily stuff a rag in flange accessory bag.



Flange accessory package

Fig.#7

### B. Confirm installation dimension

Reconfirm the product shall be able to install on buildings properly as shown below.



**DANGER:** Risk of electric shock. Disconnect power supply before servicing.

NOTE: This product is designed to work with wall mounted electrical and water supplies as shown in the mounting dimensions.



**WARNING:** Risk of electric shock. Connect only to circuits protected by Ground-Fault Circuit-Interrupters (GFCI's) or Earth-Leakage Circuit-Breakers (ELCB's).



Keep bath and shower head away from electrical parts (such as remote controller, receptacle etc). When the electrical supply is mounted on the wall, an anti-splash and waterproof receptacle is required.

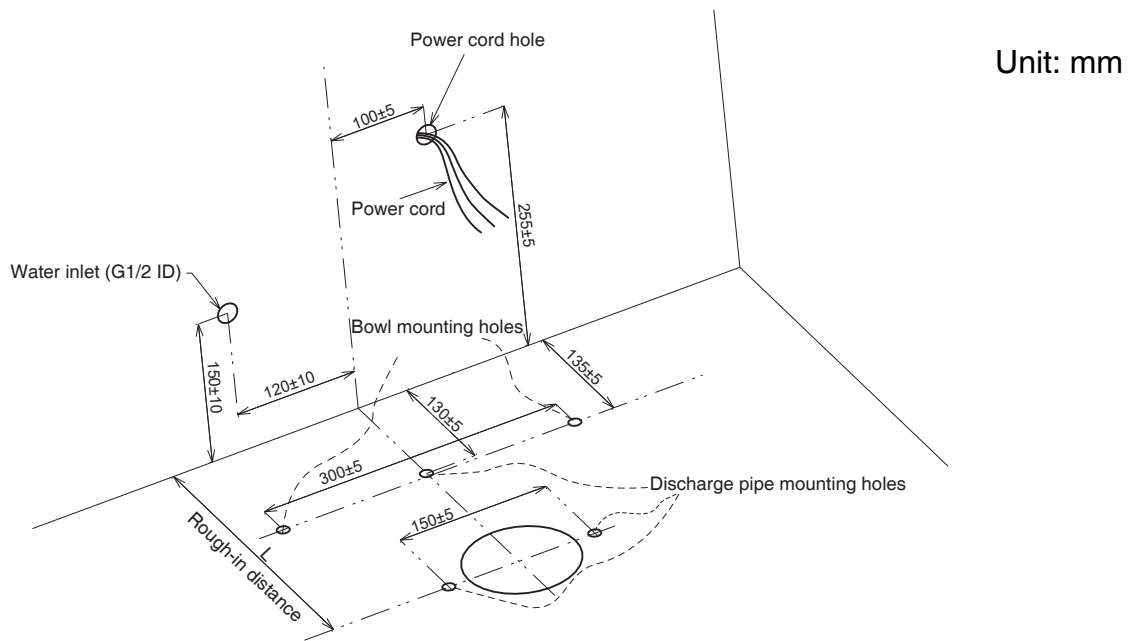


Fig.#8

- C. 1. Confirm the drain holes center and mark “+” centerline.
2. Mark discharge pipe mounting hole position as show.
3. Mark bowl mounting holes as show.

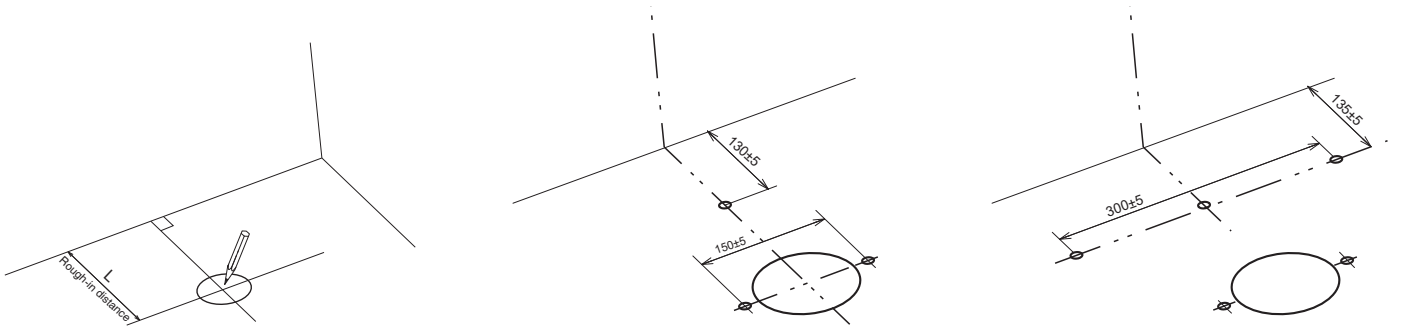


Fig.#9

- D. Drill 5 holes and insert plastic inserts and T-bolts (Purchased by customer).

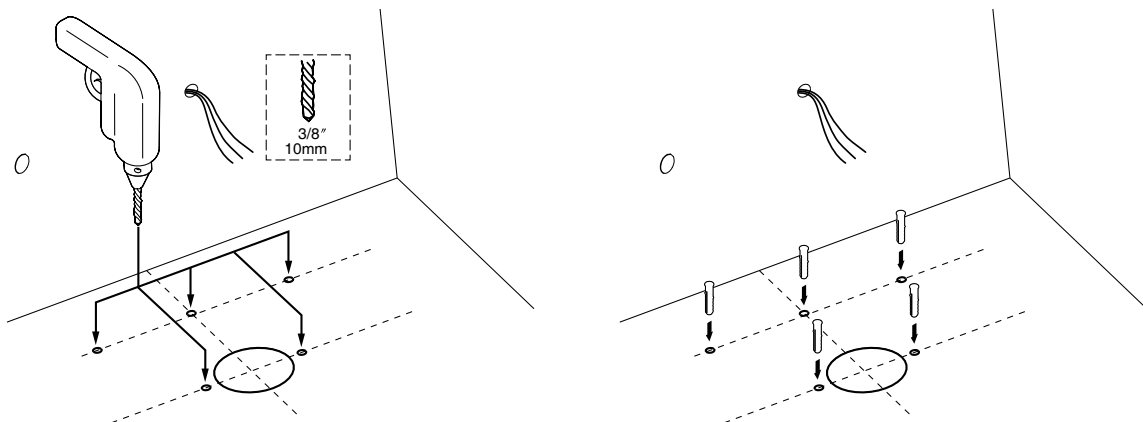
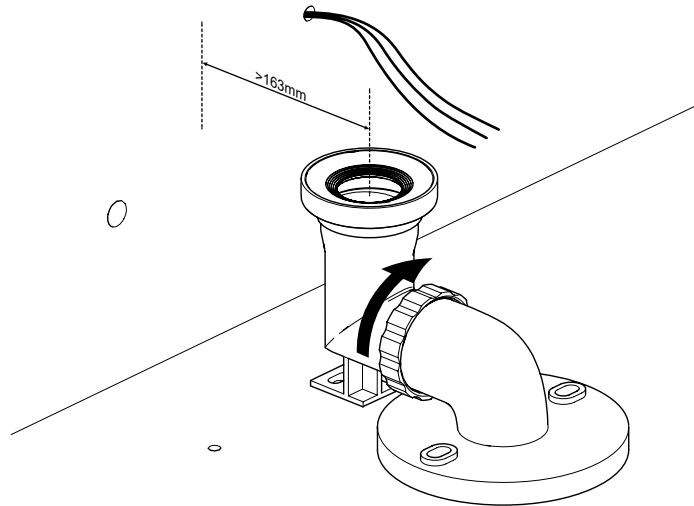


Fig.#10

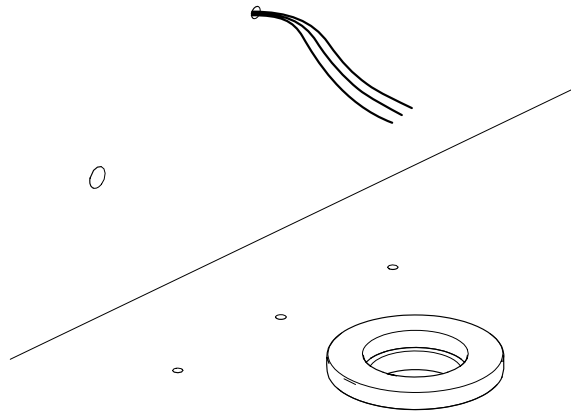
## E. Discharge pipe installation

1. Take discharge pipe out, adjust to meet following condition:
  - a. Align discharge pipe with floor discharge port.
  - b. Align floor mounting hole to each hole.
  - c. Upper discharge port center to wall distance is larger than 163mm.Then tighten big nut on discharge pipe.

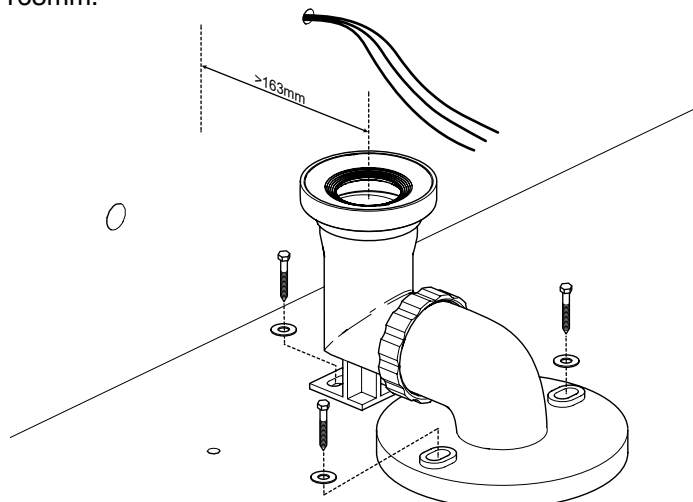
Note: ensure floor flatness.



2. Align wax center with floor drain hole and place on floor.



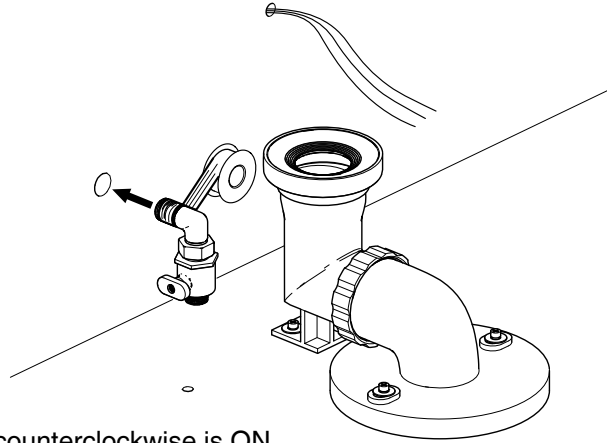
3. Secure discharge pipe by 3 bolts and gaskets on the floor, and ensure discharge elbow center distance to wall distance is larger than 163mm.





## F. Angle valve installation

1. Wrap angle valve by PTFE TAPE and connect with water hole on the wall.



2. Angle valve switching method

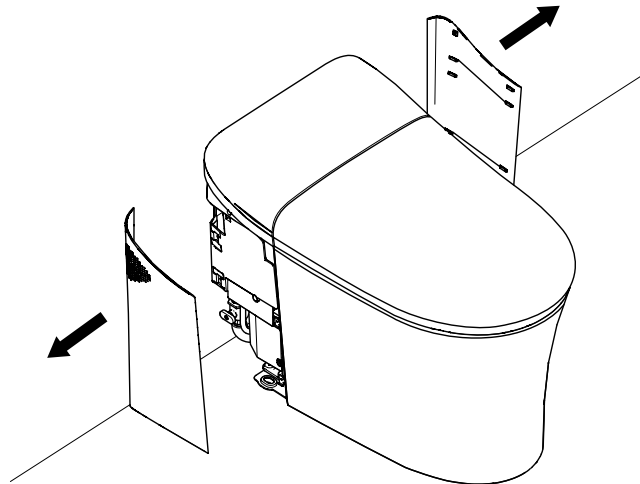
Rotate clockwise is OFF, rotate counterclockwise is ON.

Note: after the intake valve is connected, discharge water completely.

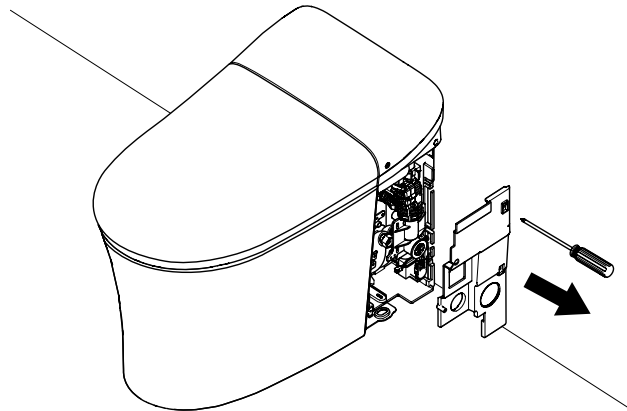
---

## G. Dismantle left/right side and left deco board.






1. Open toilet side panel on both sides.



2. Open deco board by screwdriver on power supply side.



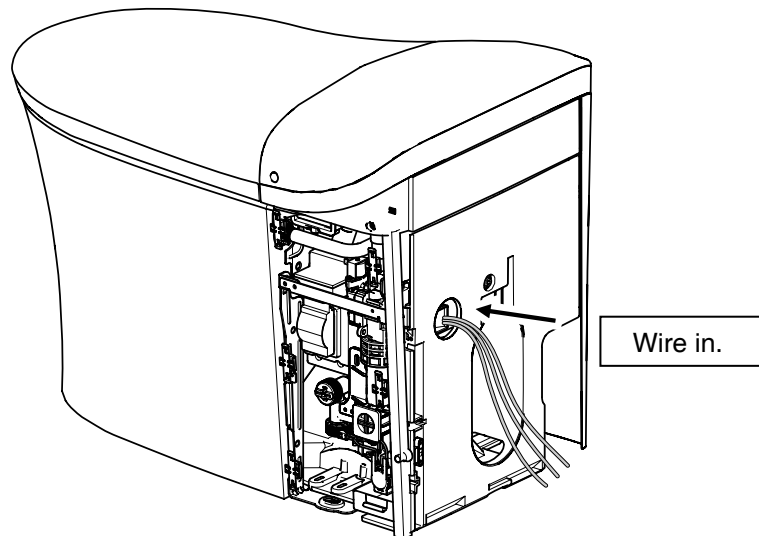
## H. Power cord arrangement

-  DANGER: Risk of electric shock. Disconnect power supply before servicing.
-  DANGER: Risk of electrical shock. For plug-in installations/wall-mounted electrical supply: connect only to a properly-grounded, grounding-type receptacle protected by a Ground-Fault Circuit-Interrupter (GFCI). Do not remove the grounding pin or use a grounding adapter.
-  DANGER: Risk of electrical shock. Connect only to a properly-grounded, dedicated 220V~, 50Hz, 10A circuit protected by a Class A Ground-Fault Circuit-Interrupter (GFCI) or Earth-leakage Circuit-Breaker (ELCB).
-  Note: no extended wire is allowed.
-  Note: receptacle without grounding wire is not allowed.

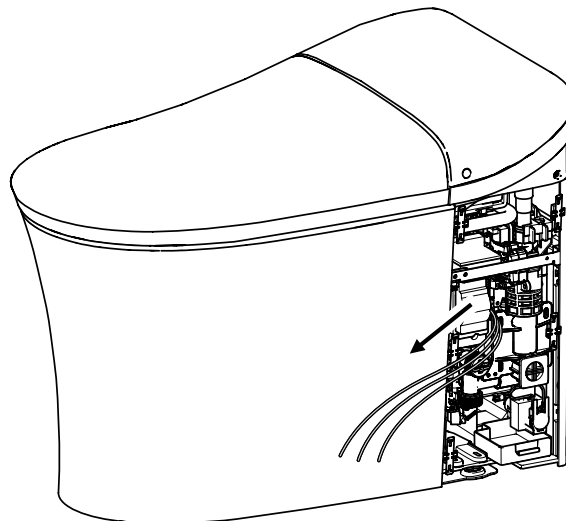
NOTE: This product is designed for installation with the electrical supply attached to the wall. Both types are illustrated.

Refer to the dimensional information for your chosen installation.

1. Turn off main power supply before installation.
2. And ensure exposed power wire length no less than 600mm.
3. Plug power wire in backwards.

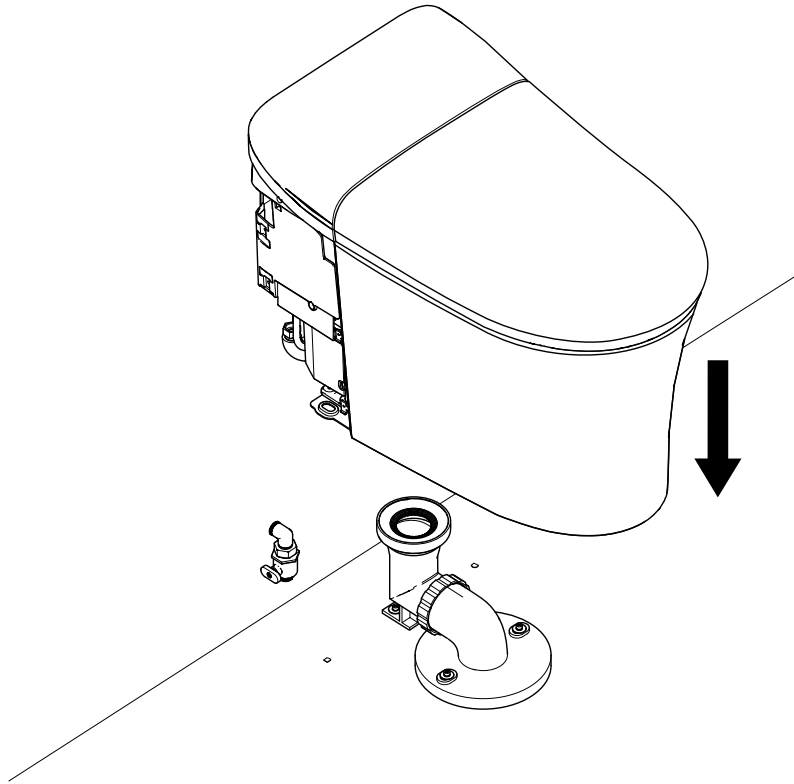


4. Ensure power cord more than 350mm or similar extended wire reserved outside toilet.



### I. Vitreous installation.

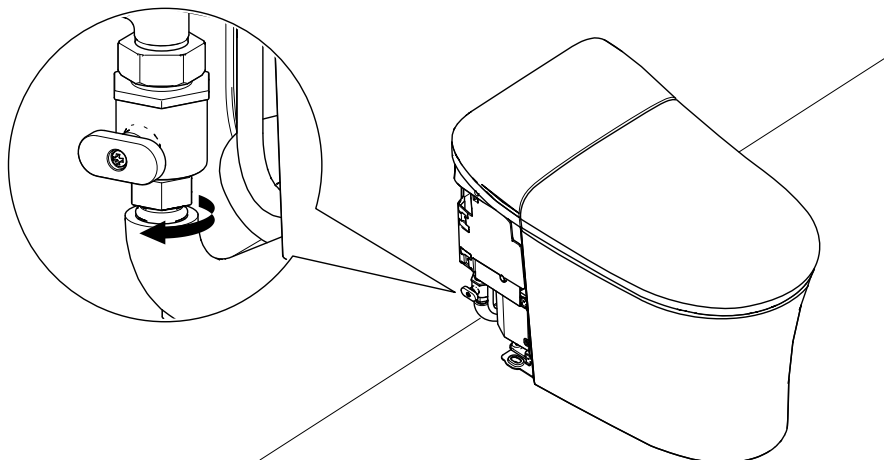
Lift toilet up (2 assistants needed), align toilet axis with drainage centerline and the toilet close to the wall, and gently place it on the floor. Make toilet bottom surface against floor tightly.








---

### J. Inlet connection

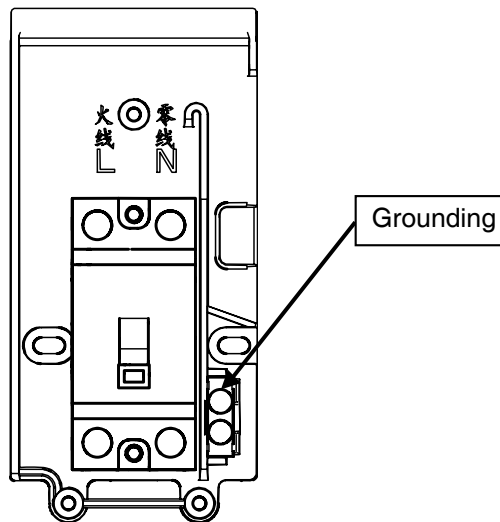
Connect angle valve outlet and toilet inlet.



## K. Power connection

-  DANGER: Risk of electric shock. Disconnect power supply before servicing.
-  DANGER: Risk of electrical shock. For plug-in installations/wall-mounted electrical supply: connect only to a properly-grounded, grounding-type receptacle protected by a Ground-Fault Circuit-Interrupter (GFCI). Do not remove the grounding pin or use a grounding adapter.
-  DANGER: Risk of electrical shock. For hardwire installations/through-floor electrical supply: Connect only to a properly-grounded, dedicated 220V~, 50Hz, 10A circuit protected by a Class A Ground-Fault Circuit-Interrupter (GFCI) or Earth-leakage Circuit-Breaker (ELCB).
-  Note: no extended wire is allowed.
-  Note: receptacle without grounding wire is not allowed. (With power cord)  
NOTE: This product is designed for installation with the electrical supply attached to the wall. Both types are illustrated.  
Hard power cord installation shall comply with dimension drawing requirement.

1. Confirm main power supply is OFF; pull redundant wire from rear installation location. Remove excessive wire and connect to L, N and Grounding location.



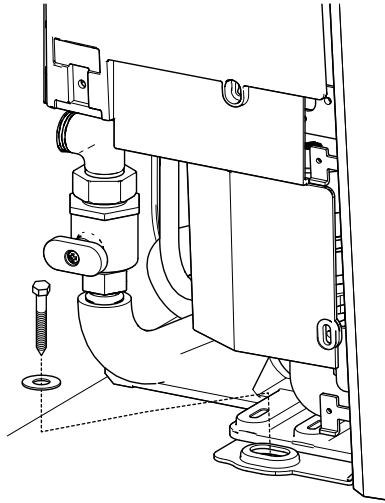
2. Install deco cover by screwdriver.
- 

## L. Power on and water on test

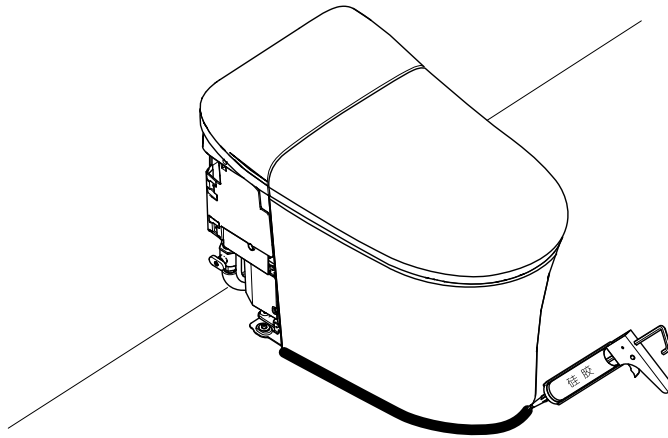
1. Turn on toilet water supply first, and then connect power supply when there's no water leak.
  2. Activate main power supply, push product switch handle upwards, toilet start water and power self-inspection, fill water tank. When hear one "Beep", night light is OFF, self-inspection completed and the toilet is ready for use. Specific usage refers to Homeowners Guide.
  3. Confirm proper flush status.
-

## M. Secure vitreous

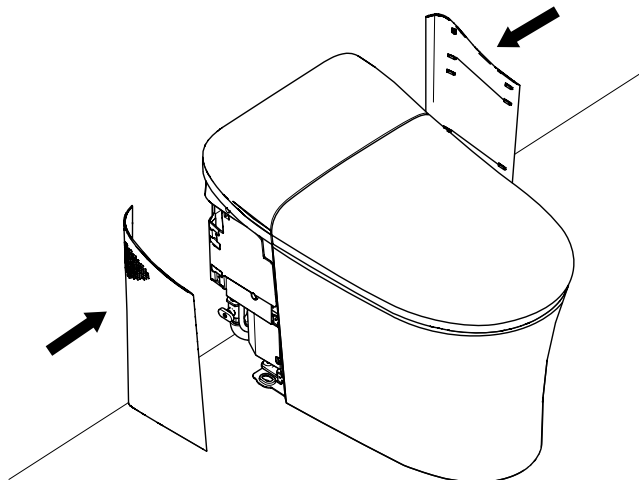
1. Secure vitreous on floor by bolts and gaskets.



2. Apply silicon grease around the vitreous.



3. Install sideboards back from both sides.

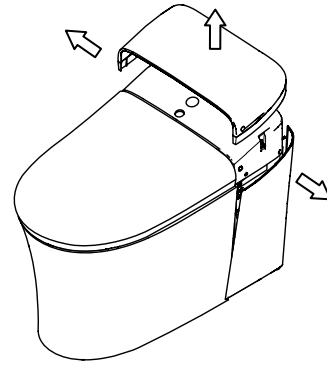


## N. Install water purification filter

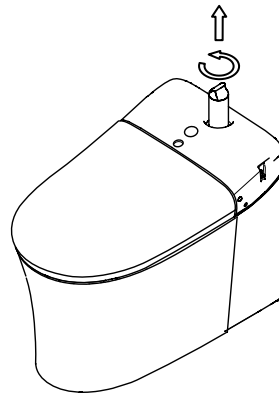
Please exchange filter cartridge immediately when customer found red light ON all the time as following:

1. Open toilet cover.

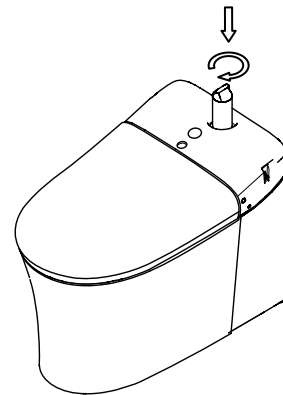
Open toilet cover by tool (provided), remove cover from the top.



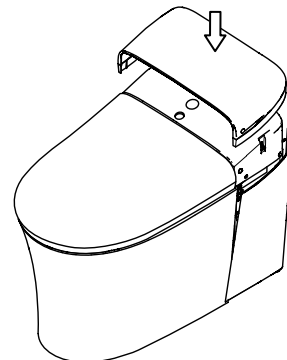
2. Unscrew air filter cartridge as shown direction.



3. Slightly press down and unscrew as shown direction, tighten new filter cartridge.



4. Close toilet cover again  
Snap toilet cover downward manually, no loose snap-fit on both sides and rear end to complete installation.



## Installation of remote controller holder

**NOTE:** If the wall for installation is made of special material (such as wood board, density board and etc.), proper fixing methods shall be adopted.

**NOTE:** The place to install the remote controller shall not be easily splashed by water.

Choose a mounting location for the remote holder that is easily accessible while sitting on the seat.

Drilling two holes with depth larger than 45mm on the wall by drill with a diameter of 6mm in accordance with the position of screw holes on the remote control holder, and then installs the expansion tube into the holes.

Place the installation holder on the fixing hole;

Peel off the release paper of double-sided tape at the back of holder;

Fix the holder with screws and install it.

Install the screw covers on the screws;

Place the remote controller on the holder.

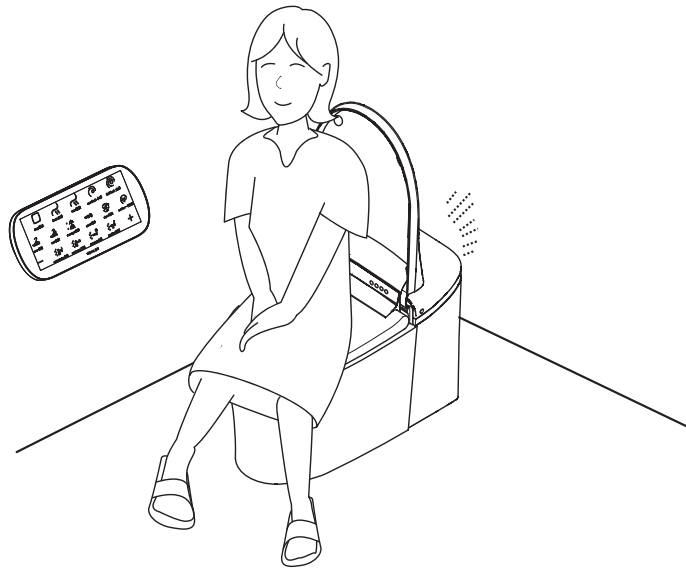


Fig.#19

### Installation steps

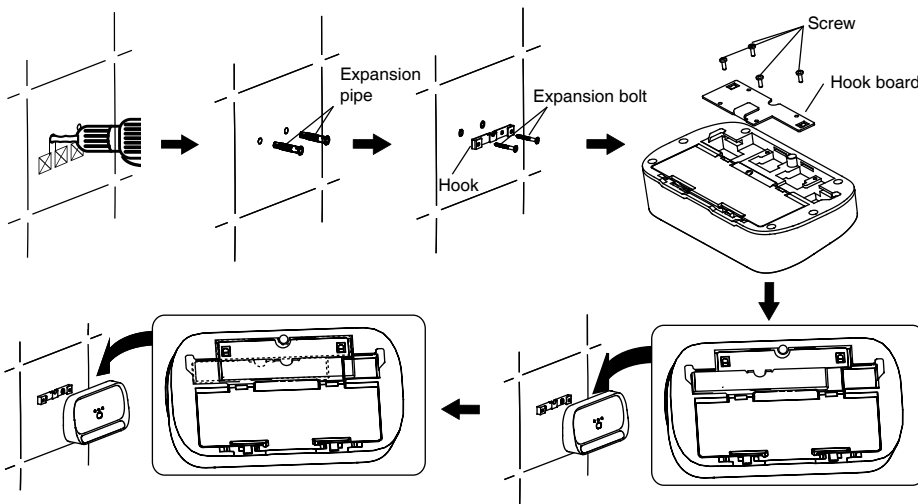
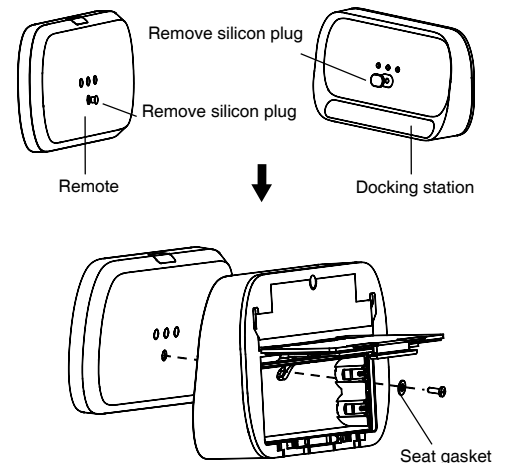


Fig.#20

### Public anti-loss installation



## Preparations before the initial use

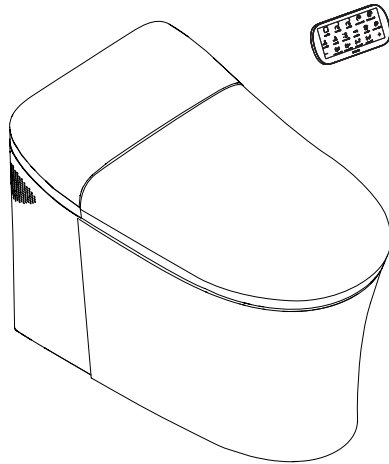


Fig.#21

Confirm if inlet valve is OPEN.

Confirm battery has been installed in the “remote” correctly

Confirm no obstacle in front of product.

After toilet self-inspection completed, it is normal to hear motor rotating and water flow noise. When night light blink indicates self-inspection is in process.

Default ex-work status for initial use:

Front wash:	Rear wash:	Spiral wash:	Seat temp: mid
• Water temp: mid	• Water temp: mid	• Water temp: mid	Wind temp: mid
• Water flow intensity: mid	• Water flow intensity: mid	• Water flow intensity: mid	Night light: ON
• Ejection position: dial 3	• Ejection position: dial 3	• Ejection position: dial 3	Energy saving: OFF

Auto cover OPEN/CLOSE\*: ON, distance mid  
Auto flush function: ON

Auto UV function: ON  
Electrolyzed water function: ON

Deodorizer: ON

The above settings are for the full-functional version. For differences in the specifications of models, refer to their product configuration matrix.

\*Auto cover OPEN/CLOSE: Not applicable in Hong Kong market



# Trouble shooting

This guide of trouble shooting is for general help only. Authorized representatives or qualified electricians of Kohler Company shall be able to solve all electrical failures. If you want to know about the service of warranty, please contact local dealers or wholesalers.

Symptoms	Possible Causes	Recommended Actions
1. Toilet does not work.	A. Power failure B. Plug not connected or no power to socket C. The leakage circuit breaker on plug does not reset. D. Product is on standby mode	A. Wait until the power is restored B. Plug in or detect the socket C. Press Reset button on the plug D. Press “⊖” button on auxiliary keyboard.
2. Toilet fails to flush	A. Water failure B. Tee valve for water supply is closed C. Power failure  D. Product is at standby mode E. Wash mode is in progress F. Auto-flushing is deactivated	A. Wait until the water supply is restored B. Open the tee valve for water supply C. Wait until the power is restored or review "manual flush" section for manual flush or flush by basin. D. Press “⊖” button on auxiliary keyboard. E. Perform after flushing operation completed. F. Review "Guide on remote controller setting"
3. Toilet is not clean after flushing.	A. Filter screen is blocked B. Insufficient water pressure.	A. Refer to "Filter screen clean" B. Check if all tee valves are opened. If not, please open; C. Check bend problem on inlet hose, if so, adjust hose.
4. Wash mode is abnormal.	A. Water failure B. Tee valve for water supply is closed or not opened completely C. Product is on standby mode D. Not yet seated or current sitting posture unable to be sensed by the seat E. Filter screen is blocked F. Insufficient water pressure. G. Incorrect air filter installation.	A. Wait until the water supply is restored B. Fully open the tee valve for water supply C. Press “⊖” button on auxiliary keyboard. D. Seated or adjust your sitting gesture E. Review the section of "Washing the filter screen" F. Check bend problem on inlet hose, if so, adjust hose. G. Install filter correctly. (refer to Page 14).
5. Flush function stops in operation process.	A. Flushing mode stops automatically after continuous flushing for 5 minutes B. The seat is unable to sense human body	A. If necessary, press the flushing button again. B. Adjust your sitting gesture or sit on the toilet again.
6. The wash mode runs even when unseated.	A. The seat is covered by foreign matters or the seat is wet.	A. Remove the foreign matters or dry seat.
7. Dryer fan stops in operation process.	A. The dryer fan stops automatically after continuous usage for 4 minutes B. The seat is unable to sense human body	A. If necessary, press the dryer button again. B. Adjust your sitting gesture or sit on the toilet again.
8. Deodorization fan does not work	A. The seat is unable to sense human body B. Stop button is pressed by mistake during operation C. Auto deodorization function is deactivated	A. Adjust your sitting gesture or sit on the toilet again. B. If necessary, please leave for about 2S and then sit on the toilet again. C. Review "Guide on remote controller setting"
9. Cover fails to close/open	A. The seat is covered by foreign matters or the seat is wet. B. The toilet cover is interfered by people at the open/close process before	A. Remove the foreign matters or dry seat. B. Use the remote control or manually open/close the cover until it works properly. Do not block switch during open/close process

10. Auto cover fails to close/open. (Not applicable in Hong Kong market)	A. User is not seated enters or leaves the sensing area B. Remote controller "automatic cover-turning" function is deactivated C. The toilet is in the process of flushing	A. Please sit or leave the sensing area B. Review "Guide on remote controller setting". C. Wait until the flushing process is completed
11. Night light does not work	A. The night function is turned off B. The indoor light is too bright	A. Refer to night light function in "Guide on usage of remote controller". B. Turn off the lights and close the curtain.
12. UV sterilization function does not work	A. User sits on the toilet. B. The seat is covered by foreign matters or the seat is wet	A. Please close the cover and reactivate the UV sterilization again when unseated. B. Remove the foreign matters or dry the seat
13. Remote is unable to display	A. Battery exhausted. B. Battery polarities are mounted reversely C. The remote controller is not woken up	A. Replace with new batteries B. Reinstall properly C. Touch remote controller screen of Approach to the toilet or seated. Press Wake up key on the remote control
14. Remote control fails to connect to toilet.	A. Lower battery B. The remote control is too far from the toilet C. The toilet is not yet powered on D. The toilet is on standby mode E. The toilet is not connected to the remote control	A. Review "Usage and replacement of battery for remote control" chapter and replace battery accordingly. B. Review "Communication between remote controller and the toilet", and approach to the toilet C. Power on the toilet. D. Press "⊖" button on auxiliary keyboard. E. Review "Communication between remote and toilet" and connect toilet and remote accordingly.
15. The seat is not warm.	A. Remote seat temp set too low. B. Toilet is on standby mode.	A. Set seat temp to proper dial. B. Press "⊖" button on auxiliary keyboard.

If you want to check the toilet, first of all, you should:

Unplug toilet power cord.


Turn off the water supply valve if necessary.

### CONSUMER RESPONSIBILITIES


If you live in a hard water area, make certain that the holes on the toilet rim are kept clean to ensure proper bowl flushing. Toilet bowl cleaners should be used at least once a week. Use a long-handled brush to clean the rim holes, and to clean as far into the trap as possible to prevent mineral deposits from forming.


Most toilet bowl cleaners are not harmful to the vitreous chin or the surface of the toilet bowl. Please follow the bowl cleaner manufacturer's instructions carefully.

Do not use abrasive cleaners or solvents.

 **WARNING:** Risk of property or product damage.

Kohler Company shall not be responsible or liable for any damage to these fittings caused by the use of cleaners containing chlorine (Calcium hypochlorite).

 **Warning:** do not use any hard setting material (cement mortar) while installing the toilet. Thermal expansion of hard setting material (cement mortar) will damage or crash the feet of toilet. Kohler will not be responsible for any damage because of using hard setting material (cement mortar) for toilet installation.

 **WARNING:** Risk of product damage.

Do not throw into the toilet what that will cause the toilet to block such as newspapers and sanitary towel. Do not bump the vitreous china with great force as it will cause damage and leaking.

Do not use product beyond the specified environment.




**NOTE:** Refer to "Homeowner's Guide" for the cleaning and maintenance of bidet seat.

**NOTE:** Flush the water supply pipes thoroughly to remove debris. Product is designed for tap water or potable water.

## 安装之前

- 请仔细阅读本指引。以便熟悉所需工具、物料及安装程序。请遵照适用的章节来安装您的座便器，以避免由于安装失当而导致不必要的损失。除了有关正确的安装方法之外，还务请详阅所有操作及安全指引。
- 本指引所载之一切资料，均以印刷时所有之最新产品情况为基础，科勒保留权利随时更改产品特性、包装或供应情况，恕不另行通知。
- 本指引也包含了有关护理、清洁及保养等重要资料 - 请交予用户保存。
- 我们感谢您对科勒质量的信任。在您开始安装之前，请您花上几分钟时间来阅读这本手册。如果您在安装或性能方面遇到任何问题，务必请您与我们联系。再次感谢您选择科勒公司。
- 安装前，请确保座便器安装所需要的空间，并不会影响到门的开关。
- 在安装本产品的同一房间中，需要在触手可及的位置安装一个止水阀，用于紧急情况下，无需借助工具即可切断本产品的进水水路；否则本产品的意外故障可能会导致用户损失。
- 对于坑距为305mm的产品，建筑坑距需满足290–320mm；对于坑距为400mm的产品，建筑坑距需满足370–420mm。如未满足，可能会影响安装。
- 确认出水接头距离完工墙面凸出不超过3mm。沉入完工墙壁不超过5mm。如未满足，可能会影响安装。
- 推荐使用内径DN15mm或以上的主水管。
- 请不要使用科勒不推荐的附件，如角阀等。
- 为了达到更好的冲洗效果，用户在安装进水管如PPR管的热熔连接时，应尽量避免明显的缩径或热熔挤出物堵塞部分管道等现象，并确保连接后进水管内径不小于15mm。
- 在墙体施工时需预留电缆线。电缆线规格1mm<sup>2</sup>–2.5mm<sup>2</sup>硬线，电路中需有220V~，50Hz，10A或以上接地故障断路器或接地漏电保护器。
- 用户切断电源后，如须再次接通电源，请务必听到“滴，滴...”提示音结束后，再接通电源。
- 器具必须正确接地。
- 固定布线中必须配有触电开距提供在过电压等级III条件下全断开的装置。


## 注意

-  **危险：**存在触电危险。操作前应切断电源。
-  **警告：**存在触电危险。只可连接至带接地故障断路器（GFCI）或接地漏电断路器（ELCB）保护的电路中。
-  **谨慎：**存在有害气体的危险。如果新座便器不能立即安装，可在地面法兰孔上临时遮盖一块旧布。

注意：遵守所有的本地管道安装和电气规程。

注意：安装在浴室内的插座位置(如果有)距离浴缸或淋浴喷头至少应为一米。

- 遵守所有的本地管道安装规程和建筑规范。
- 仔细检查新座便器有无损坏。
- 电源和水管应采用墙式安装方式。

 **警告：**触电、火灾或人身伤害的危险。本产品必须安全接地。只能连接到专用的220V~，50Hz，10A带接地故障断路器或接地漏电保护器的电路中。

 **警告：**必须使用10A的插座。

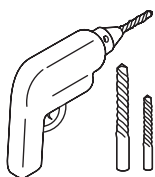
## 所需工具及材料（不随货供应）

电钻及配套钻头、膨胀螺钉及膨胀管、垫片、螺丝刀（十字，一字，梅花头）、剥线钳、剪刀、活络扳手、美工刀、笔、钳子、卷尺、测电笔、生料带

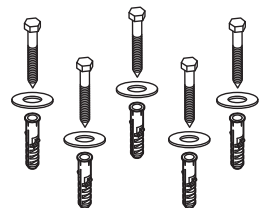
其他

垫子或防护材料

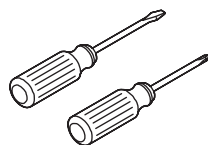
胶带



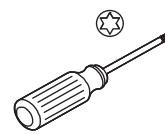
电钻及配套钻头



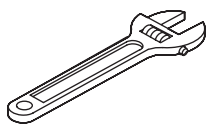
膨胀螺钉及膨胀管、垫片



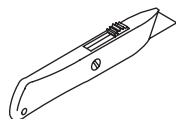
螺丝刀



梅花头螺丝刀



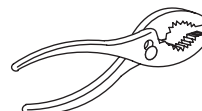
活络扳手



美工刀



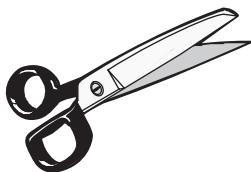
笔



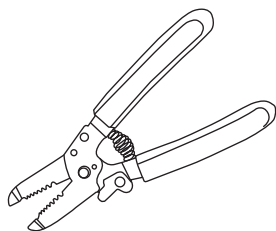
钳子



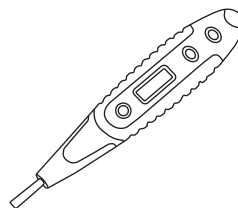
卷尺



剪刀



剥线钳



测电笔

# 尺寸图

单位：毫米

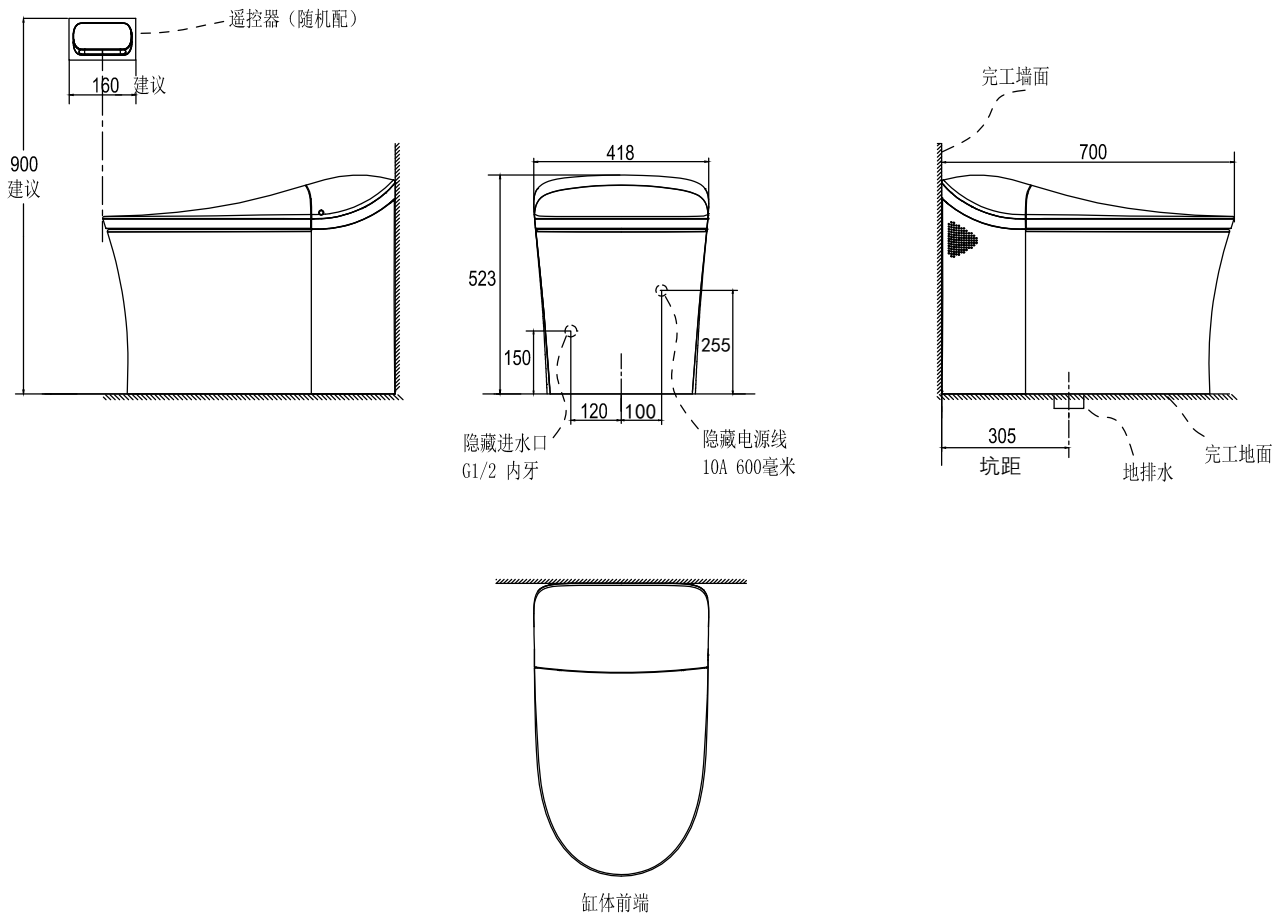


图3

科勒公司保留随时变更图中标示尺寸的权利，无需另行通知。

# 规格

冲水用水量	平均3.3L、全冲3.8L、半冲3.0L
水效等级*	3级
使用坑距	地排水305/400mm，墙排水（见产品配置表）
供水压力	最小进水压力0.07MPa（动压） 最大进水压力0.74MPa
额定电压	220V~，50Hz
额定功率*	1080W
最大瞬时功率	约1600W
电源线长度	见产品配置表
产品外型尺寸	约700mm X 418mm X 523mm
产品重量	约46kg
进水温度	1-35℃
使用环境温度	1-40℃

注意：智能盖板规格详见用户手册。

\* 智能座便器施加的水效标识的说明：水效标识表示智能座便器水效等级等性能的一种符合性标志。

\* 功率值测试条件：动压0.2MPa，进水温度15℃。

## 整体简图

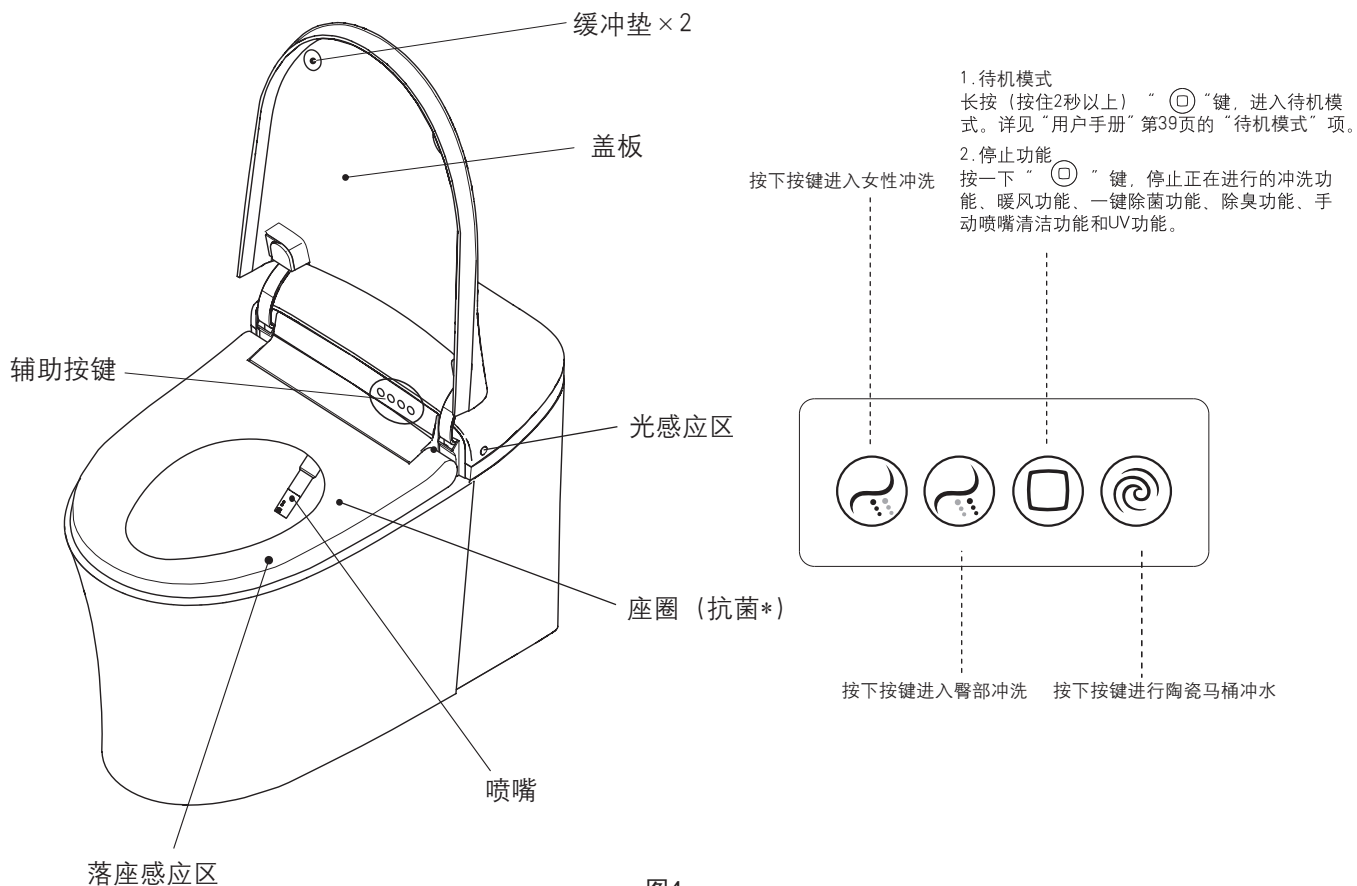


图4

\* 抗菌: 含无机系抗菌材料的座圈长期抗细菌, 抑制产品表面的细菌生长, 这一加工处理不代表防霉等附带效果。抗菌率大于90% (依据GB21551.2-2010进行试验。测试机构: 中国家用电器检测所、上海出入境检验检疫局机电产品检测技术中心)

## 安装前准备

### A. 抓住陶瓷件的边缘, 从包装箱中取出产品。

**警告:** 人身和产品损害风险! 向上提起座便器时, 请勿抓住智能盖板的边缘。由于座便器较重, 必要时请寻求他人帮助。

**注意:** 在整个安装过程中, 请勿取下盖板和座圈的保护袋。

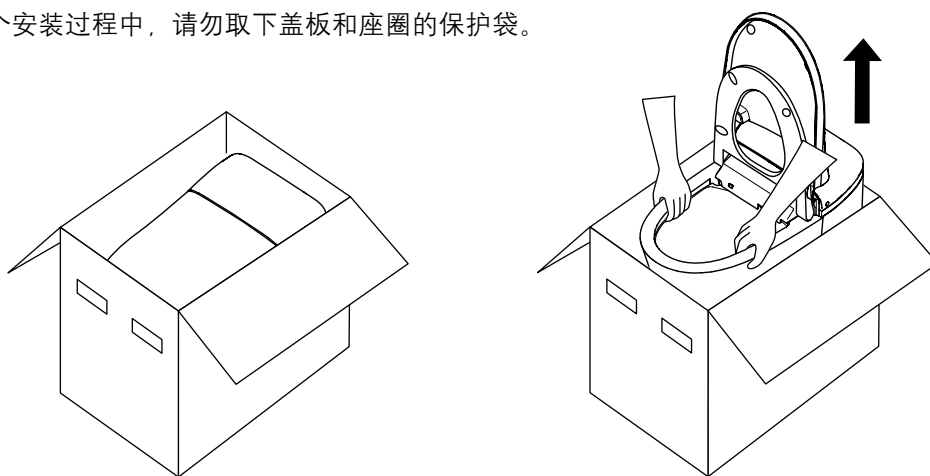


图5

B. 在地面上放置一块800mmX800mm大小的软垫，将座便器从包装箱中取出放在软垫上。

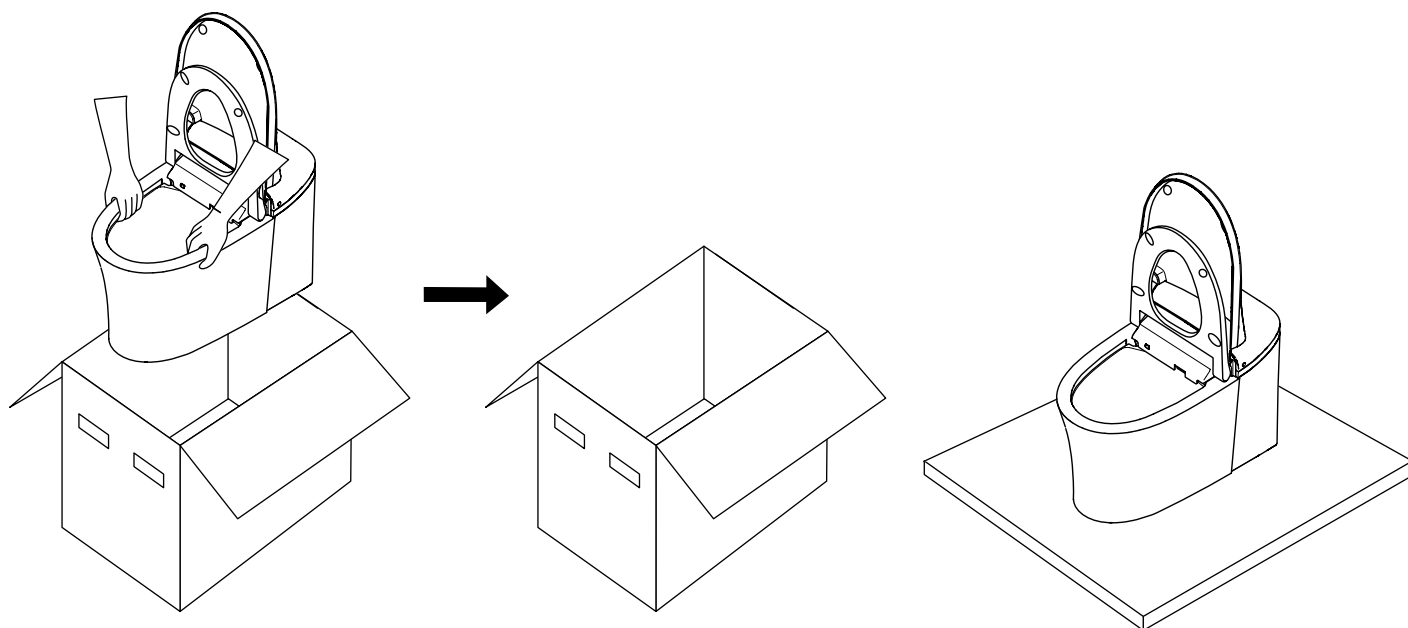


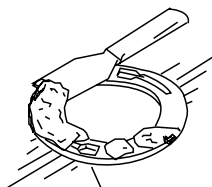
图6

## 安装

### A. 拆除旧座便器(如果有)

关掉供水源，给座便器冲水，用海绵吸去座便器内的剩余水份，拆除供水管止水阀(如果有)，移开旧水箱和座便器。用涂油灰刀拆除地上的旧密封垫圈及座便器法兰附件包，拆除及扔掉旧的T型螺栓。

注意：如果不能即时安装新座便器，请用碎布暂将法兰附件包堵住。



法兰附件包

图7

### B. 确认安装尺寸

参照下图再次确认产品可正常安装于建筑上。



危险：存在触电危险。安装前应切断电源。

注：本产品可安装于墙上式电源和水路管。安装方式在尺寸图中有标示。



警告：存在触电危险。只可连接至带接地故障断路器(GFCI)或接地漏电断路器(ELCB)保护的电路中。



浴缸与花洒位置请远离带电部件(如遥控器、电源插座等)。如果是墙上式电源，需要使用防水、防溅的插座。



单位：毫米

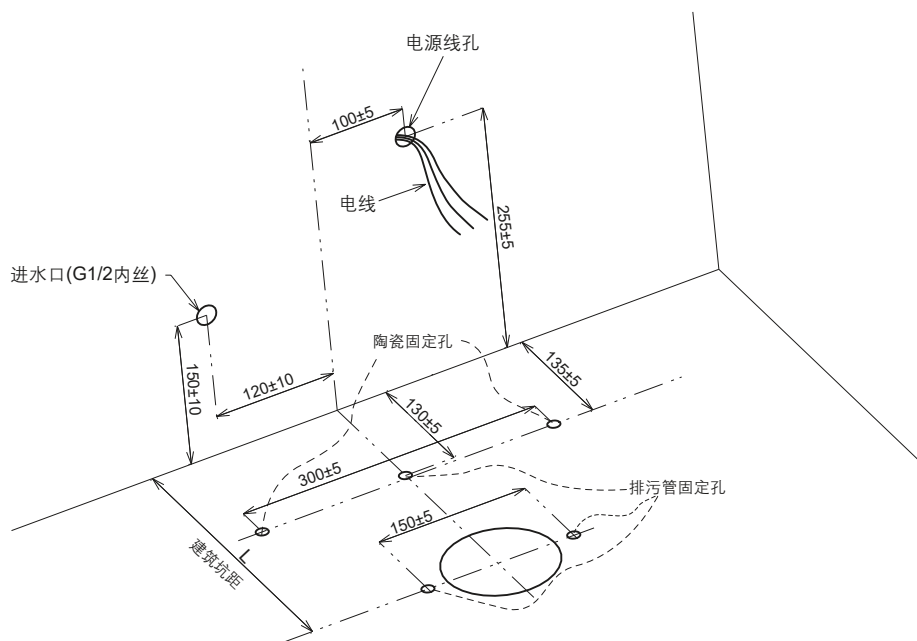


图8

- C. 1. 确定排污口中心点并划上十字线。
2. 如下图划上排污管固定孔位。
3. 如下图划上陶瓷固定孔位。

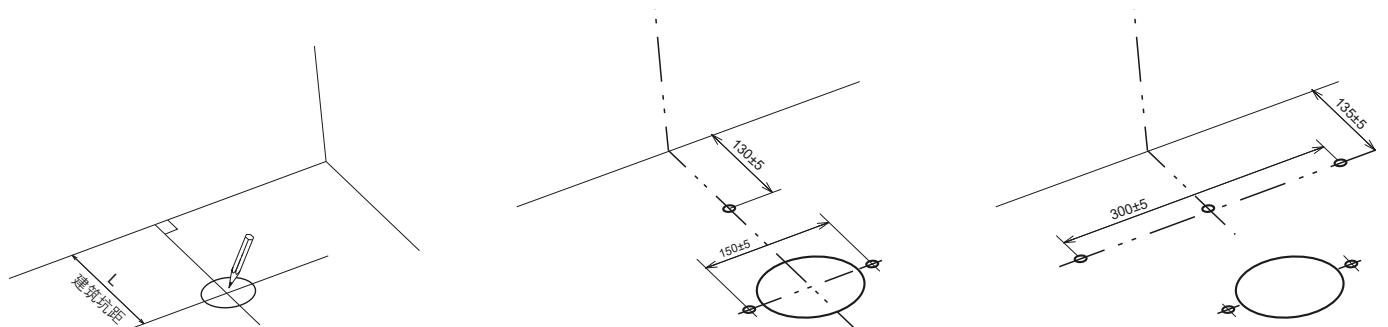


图9

- D. 钻五个地脚孔，安装膨胀塑料及地脚螺钉(由客户自行购买)。

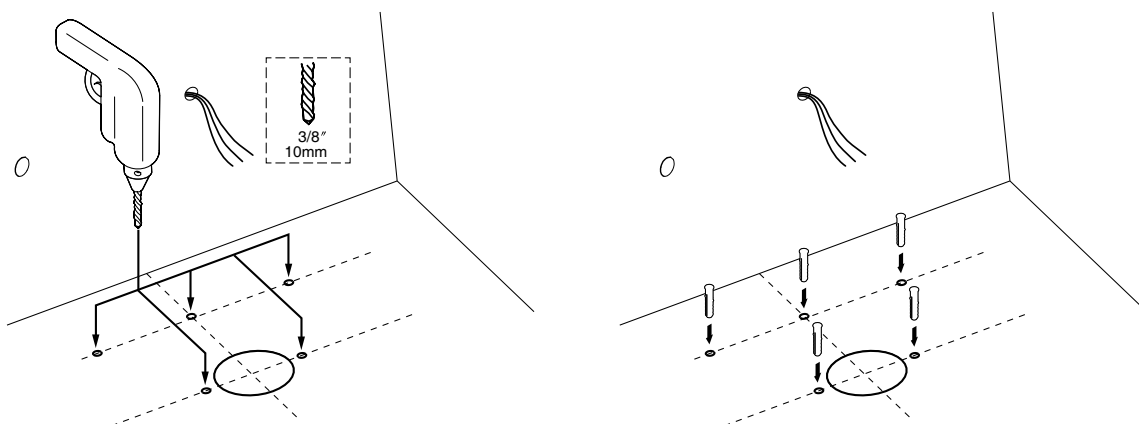


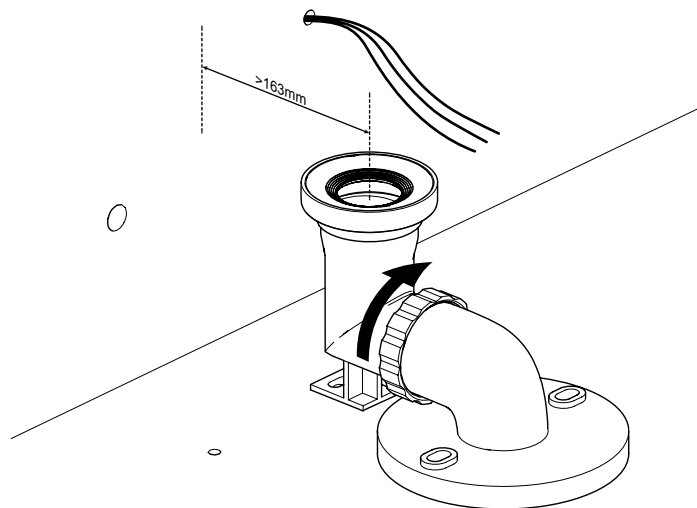
图10

## E. 排污管安装

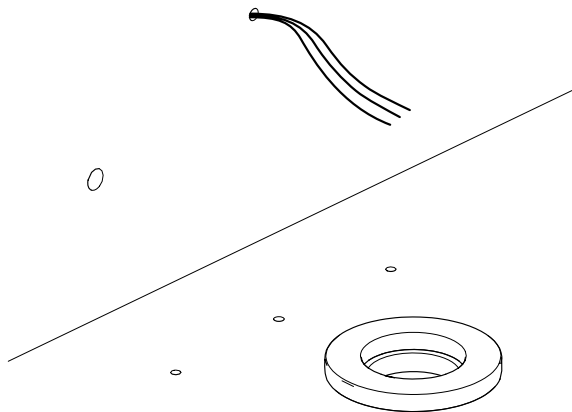
1、将排污管拿出，调整使其满足如下条件：

- 排污口和地面排污口对齐；
- 地面固定孔至各孔对齐；
- 排污管的上接口中心距墙距离大于163mm。  
继而拧紧排污管上的大螺母。

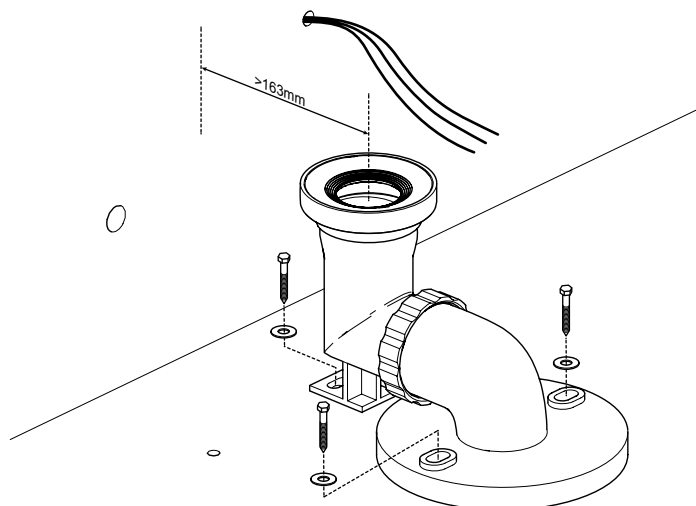
注意：确保地面平整。



2、将蜡封中心和地面排污口对齐，放于地面。

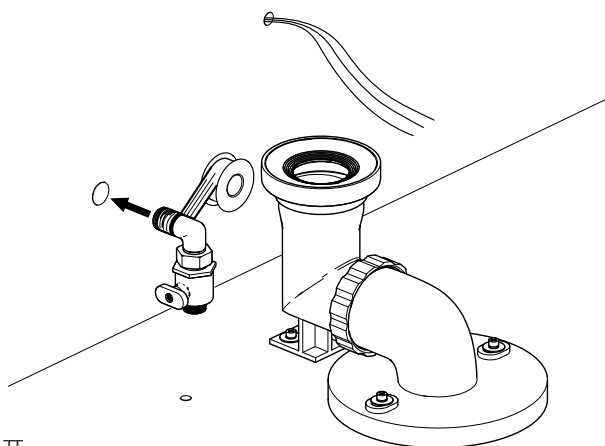


3、用3个螺钉和垫片把排污管固定在地面，并再次确保弯管排污口中心距墙最小距离大于163mm。



## F. 角阀安装

- 1、将角阀缠绕生料带后和墙面水孔相连。



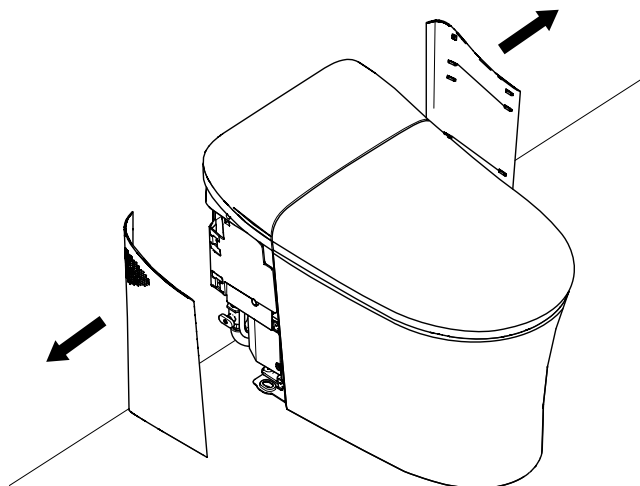
- 2、角阀的开关方法

顺时针旋转为关，逆时针旋转为开。

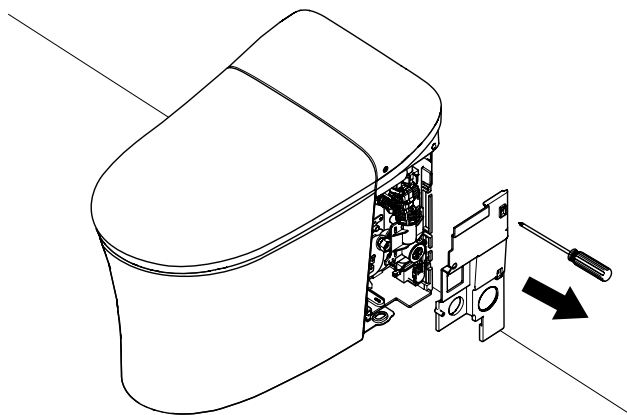
**注意：**接好进水阀之后，请排水至目视清洁为止。

## G. 拆下左右侧板及左侧装饰板


- 1、将马桶两侧的侧板打开





- 2、使用螺丝刀将电源安装的一侧装饰板拆开。





## H. 电源线排布

 危险：存在触电危险。操作前应切断电源。

 危险：存在触电危险。仅适用于插入式安装/墙面式电源，只可连接至带接地故障断路器(GFCI)保护的电路中。勿取走接地插脚，或选择使用接地适配器。

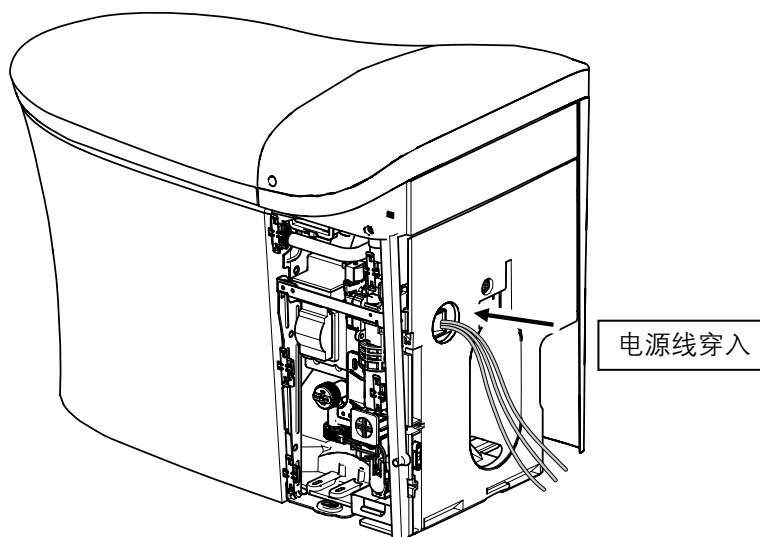
 警告：产品存在电击的危险。本产品只可连接到良好接地，电路要求为220V~，50Hz，10A 的电路中，此电路必须带接地故障断路器或接地漏电断路器。

 警告：不允许使用延长线。

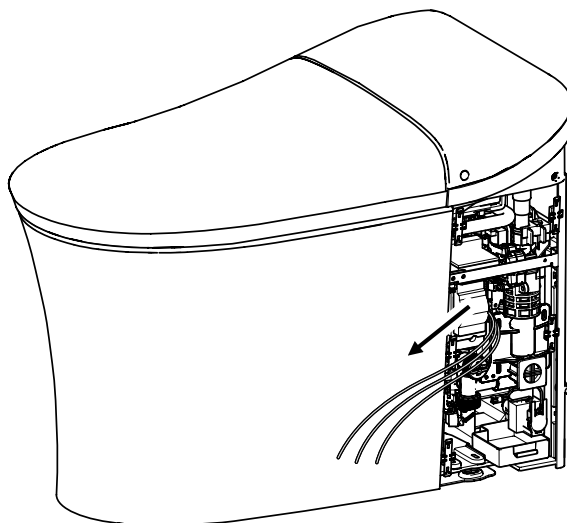
 警告：不允许使用不带接地线的插座。

注意：本产品设计可安装于墙上式电源。安装方式在尺寸图中有标示。  
安装硬电线电源时应严格遵守尺寸图上的信息操作。

- 1、安装前关闭总电源。
- 2、并保证外露在墙外的电源线长度不少于600mm。
- 3、将电源线从后面电线孔插入。

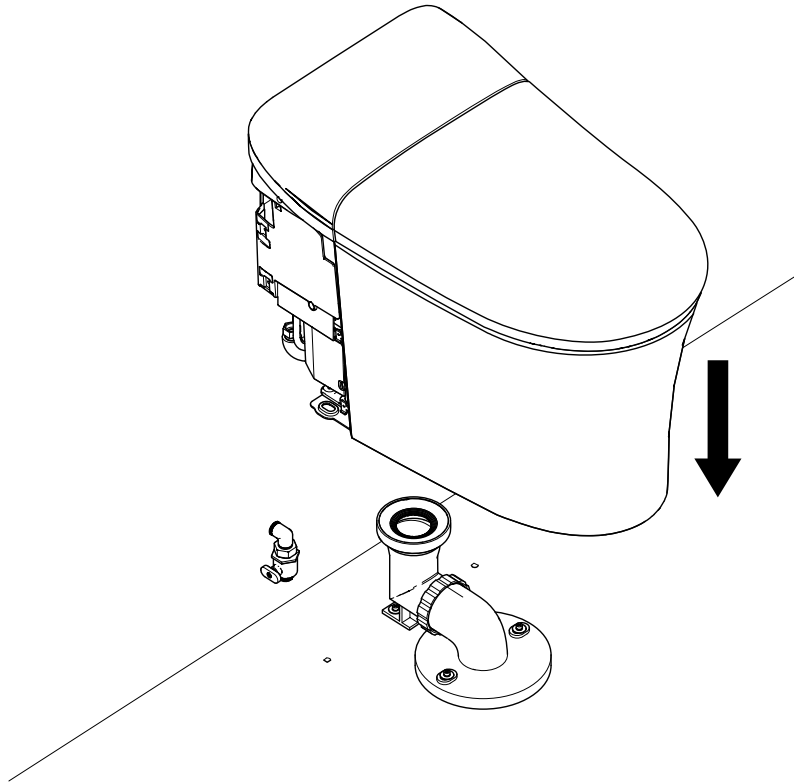


- 4、保证大于350mm的电源线或类似延长线处于马桶外。



## I. 陶瓷外壳安装

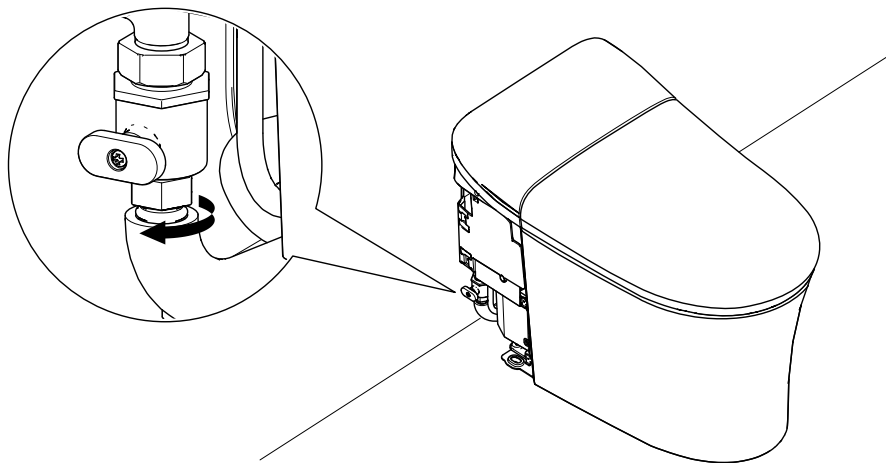
将马桶提起（需要2个人），使马桶的轴线和排污管的中轴线对齐，且马桶后方贴近墙面，垂直轻轻放至地面。使马桶下平面和地面紧密接触。



---

## J. 连接进水

连接角阀出水口和马桶进水管



## K. 电源连接



危险：存在触电危险。操作前应切断电源。



危险：存在触电危险。仅适用于插入式安装/墙面式电源，只可连接至带接地故障断路器(GFCI)保护的电路中。勿取走接地插脚，或选择使用接地适配器。



警告：产品存在电击的危险。本产品只可连接到良好接地，电路要求为220V~，50Hz，10A 的电路中，此电路必须带接地故障断路器或接地漏电断路器。



警告：不允许使用延长线。

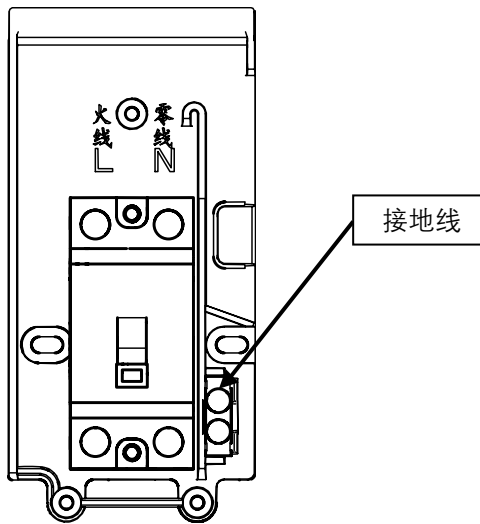


警告：不允许使用不带接地线的插座。（带电源线类）

注意：本产品设计可安装于墙上式电源。安装方式在尺寸图中有标示。

安装硬电线电源时应严格遵守尺寸图上的信息操作。

- 1、确认总电源关闭，将马桶后方多余的电线从电源安装处抽出，剪去多余长度，分别连接L、N、地线位置。



- 2、使用螺丝刀将装饰板装回

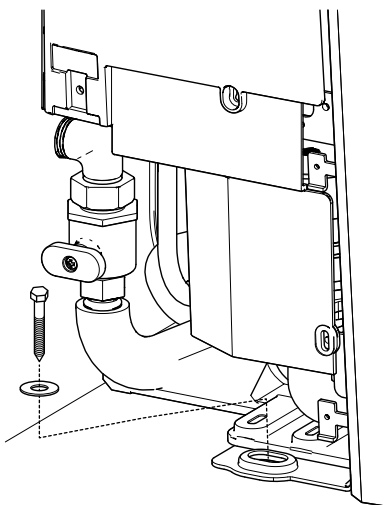
---

## L. 通水通电测试

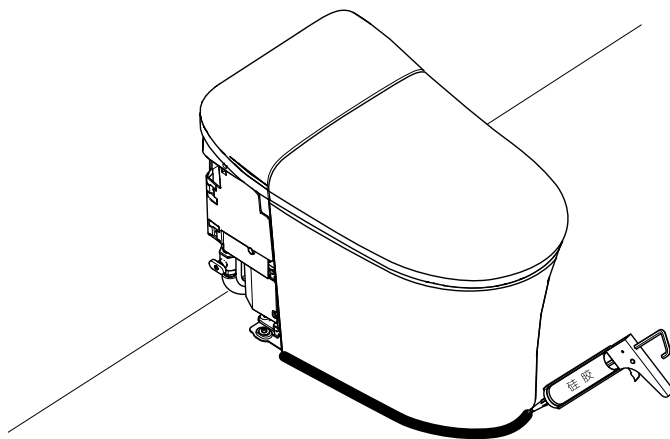
- 1、先打开座便器的供水，确认无泄漏后，再接通马桶电源。
- 2、开启总电源，并将产品开关手柄向上推到位，机器开始进行通水、通电自检，水箱进水，等听到“滴”的一声响，夜灯熄灭，自检完成，可以使用。具体使用方法参见用户手册。
- 3、确认冲洗正常。

## M. 陶瓷体的固定

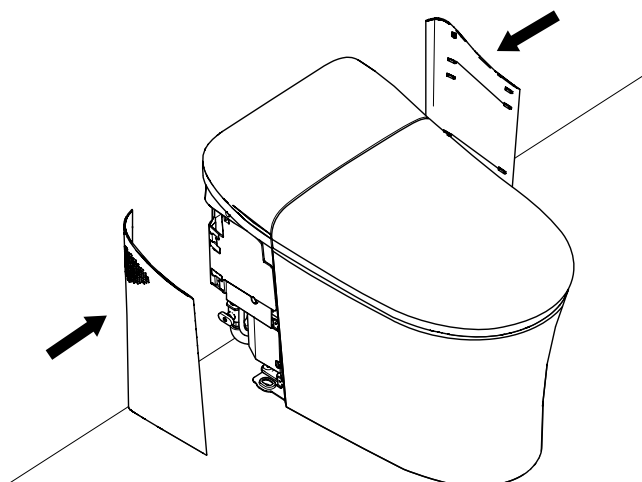
1、使用螺钉和垫片，将陶瓷体和地面固定。



2、用硅胶给陶瓷周边涂上硅胶。



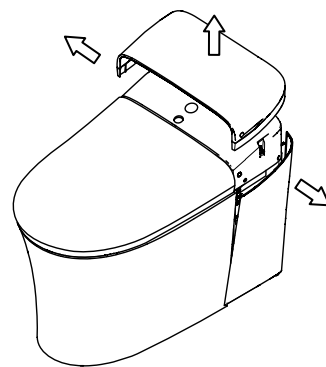
3、装回两侧的侧板。



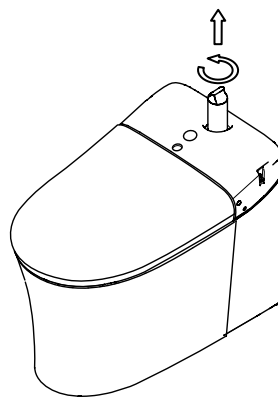
## N. 安装净化水滤芯

### 1、打开整机外壳

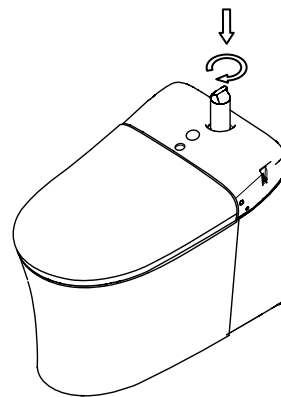
借助工具(提供)轻轻向外打开整机外壳后向上取下外壳。



### 2、按图示方向旋出旧滤芯。

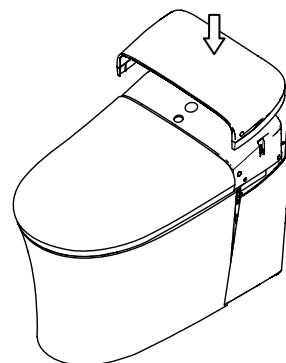


### 3、按图示方向略向下施加压力，旋紧新的滤芯。



### 4、重新合上整机外壳

直接用手将整机外壳向下按下，两侧及后方的卡扣到位后，没有松动，即完成安装。





## 安装遥控器支架

注意：如果安装墙面是特定材料（比如木板、密制板等）时，使用合适的固定方法。

注意：遥控器的安装位置应该是不易被水淋到的地方。

选择一个合适地方安装遥控器支架，此处应该是当你坐在座便器上时，很容易用手操作遥控器的地方。

根据遥控器支架螺钉孔的位置，用直径6mm的钻头在墙上钻两个深度大于45mm的孔。在孔中装入膨胀管。

将安装支架放置在固定孔上。

将支架背面双面胶离型纸撕掉。

用螺钉固定安装支架。

把螺钉盖装在螺钉上。

把遥控器放在支架上。

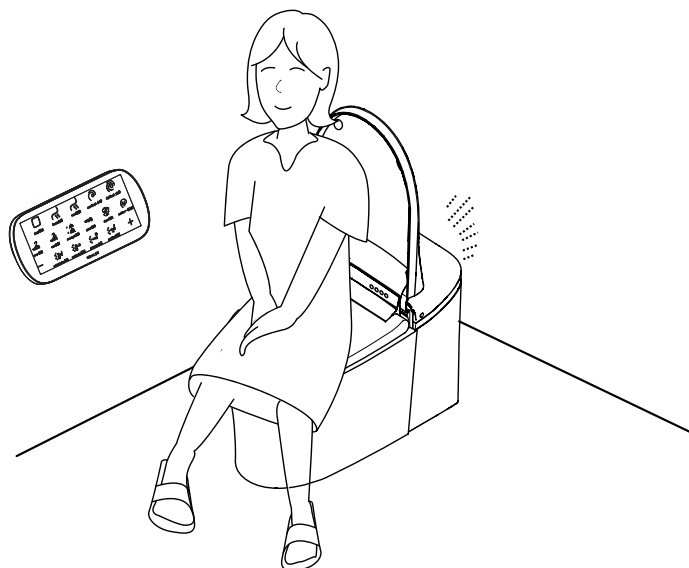


图19

### 安装步骤:

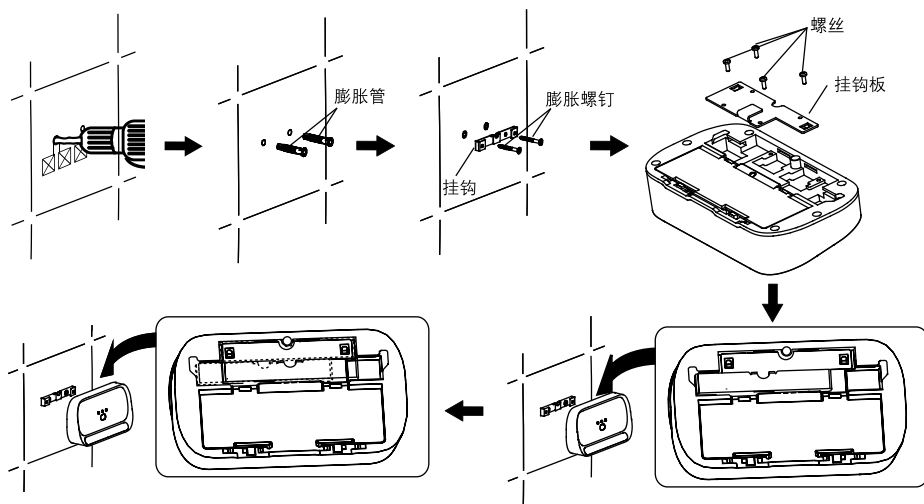
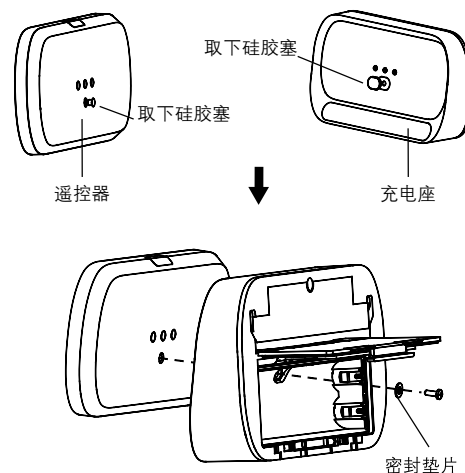


图20

### 公共场所防遗失安装方式



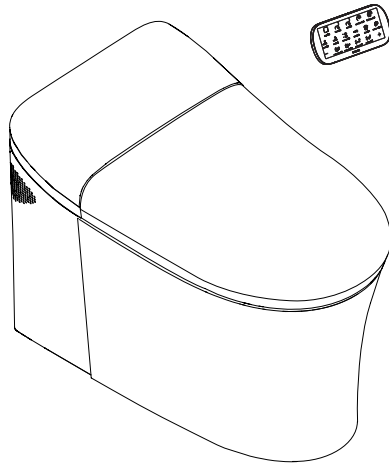


图21

确认进水阀是否已打开。

确认遥控器充电座内已正确装入电池。

确认产品正前方没有障碍物。

等待主机完成自检。期间可听到电机的转动声和流水声，均属正常。当夜灯闪烁时，自检结束。

初次使用时为出厂设置状态：

- |            |            |            |        |
|------------|------------|------------|--------|
| 女性冲洗：      | 臀部冲洗：      | 旋转冲洗：      | 圈温：中档  |
| • 水温：中档    | • 水温：中档    | • 水温：中档    | 风速：开   |
| • 水流强度：中档  | • 水流强度：中档  | • 水流强度：中档  | 夜灯：开   |
| • 冲洗位置：第3档 | • 冲洗位置：第3档 | • 冲洗位置：第3档 | 节能模式：关 |

自动翻盖功能：开，距离中

自动冲水功能：开

自动UV功能：开

除菌水功能：开

除臭：开

以上设置为全功能版本，具体型号的规格差异见产品配置表。

自动翻盖功能不适用于中国香港市场。

# 常见问题

本指南仅作一般帮助之用。科勒公司授权的服务代表或者合格电工应当能够解决所有的电气问题。如需了解担保服务，请联系您当地的经销商或批发商。

现象	可能原因	建议措施
1. 座便器不工作	A. 停电 B. 插头未插或者插座无电 C. 电源线插头上漏电保护开关未复位 D. 产品处于待机状态	A. 等到电力恢复 B. 插上插头或者检测电源插座 C. 按下插头上的复位按钮 D. 按一下辅助键盘“⊖”按键
2. 座便器不冲水	A. 停水 B. 供水角阀关闭 C. 停电 D. 产品处于待机状态 E. 清洗功能正在使用中 F. 自动冲水功能被禁止	A. 等到恢复供水 B. 打开供水角阀 C. 等待恢复电力或者查看“手动冲洗”部分进行手动冲洗或者用盆盛水冲洗。 D. 按一下辅助键盘“⊖”按键 E. 待清洗功能完成再进行 F. 查看“遥控器设置指南”部分
3. 座便器冲不干净	A. 过滤网阻塞 B. 供水水压不足	A. 查看“清洗过滤网”部分 B. 检查角阀是否全部打开，如未全部打开，请打开 C. 检查进水软管是否折弯过急，如折弯过急，请调整软管
4. 清洗功能无法正常使用	A. 停水 B. 供水角阀关闭或者未完全打开 C. 产品处于待机状态 D. 没有入座或者当前坐姿无法使座圈感应到 E. 过滤网阻塞 F. 供水水压不足 G. 净化水滤芯未正确安装	A. 等到恢复供水 B. 完全打开供水角阀 C. 按一下辅助键盘“⊖”按键 D. 请入座或者调整坐姿 E. 查看“清洗过滤网”部分 F. 检查进水软管是否折弯过急，如折弯过急，请调整软管 G. 正确安装滤芯（参见第32页）
5. 使用过程中冲洗功能停止工作	A. 连续冲洗5分钟后冲洗功能自动停止 B. 座圈未感应到人体	A. 如需要，请再次按下冲洗按键 B. 变换坐姿或者重新入座
6. 人体未入座时也能使用清洗功能	A. 座圈上有异物覆盖或者座圈是湿的	A. 移除异物或者擦干座圈
7. 使用过程中暖风机停止工作	A. 连续使用暖风功能4分钟，风机自动停止 B. 座圈未感应到人体	A. 如需要，请再次按下暖风按键 B. 变换坐姿或者重新入座
8. 除臭风机不工作	A. 座圈未感应到人体 B. 使用过程中误按停止键 C. 自动除臭功能被禁止	A. 变换坐姿或者重新入座 B. 如需要，请离座2秒后重新入座 C. 查看“遥控器设置指南”部分
9. 不能开关盖	A. 座圈上有异物覆盖或者座圈是湿的 B. 便盖在先前开关过程中受到人为干扰	A. 移除异物或者擦干座圈 B. 使用遥控器开关便盖或手动打开便盖直至正常，便盖开关过程中不阻挡其开关
10. 不能自动开关盖 (不适用于中国香港市场)	A. 用户没有进入或离开感应区域 B. 遥控器“自动翻盖”功能被关闭 C. 座便器正在冲水中	A. 请进入或离开感应区域 B. 查看“遥控器设置指南”部分 C. 等待座便器冲水结束
11. 夜灯不亮	A. 夜灯功能被关闭 B. 室内光线太亮	A. 查看“遥控器使用指南”中的夜灯部分来打开夜灯功能 B. 请完全遮挡住感光窗口
12. 紫外线杀菌不工作	A. 有人坐在座便器上 B. 座圈上有异物覆盖或者座圈是湿的	A. 请离座后关闭盖子再重新开启紫外线杀菌及关闭座便器 B. 移除异物或者擦干座圈
13. 遥控器无显示	A. 电池电量耗尽 B. 电池极性装反 C. 遥控器未被唤醒	A. 更换新电池 B. 重新正确安装 C. 触摸遥控器屏幕 靠近座便器或落座 按遥控器唤醒键

14. 遥控器无法遥控座便器	A. 电池电量不足 B. 遥控器离座便器太远 C. 座便器本机没有上电 D. 座便器本体处于待机状态 E. 座便器与遥控器未连接	A. 查看“遥控器电池的使用及更换”部分来更换电池 B. 查看“遥控器与本机的通讯”部分并靠近座便器 C. 请给本体上电 D. 按一下辅助键盘“⊙”按键 E. 查看“遥控器与本机的通讯”部分，连接座便器与遥控器
15. 座圈不热。	A. 遥控器的圈温设置太低 B. 座便器处于待机模式	A. 将圈温设置到合适档位 B. 按一下辅助键盘“⊙”键

如要检修此座便器，您必须首先：

拔下座便器电源插头。


如有需要，关闭供水阀。

### 用户责任


如果你居住地方的水质是硬性，你必须保持冲水孔清洁，令座便器冲水正常。每星期应最少使用座便器清洁剂清洁一次，用长把手的刷子清洁冲水孔，并尽量伸入排污管洗刷，防止矿物质积聚。


大部分厕所清洁剂都不会损坏座便器表面的釉面陶瓷，但烦请遵照座便器清洁剂生产商指引小心进行。

请勿使用腐蚀性清洁剂或溶剂。

 **警告：提防楼宇受损或损坏产品。**

科勒公司对此类因使用氯(次氯酸钙)而引致的冲水装置损毁，概不负责。

 **警告：在安装本座便器时切勿使用任何凝胶材料（水泥砂浆）。因为凝胶材料（水泥砂浆）的热膨胀可能使座便器的脚部挤破或损坏。科勒对所有因为凝胶材料（水泥砂浆）安装而引起的座便器破裂恕不负责。**

 **警告：提防损坏产品。**

请不要向便器内冲入新闻纸、纸尿垫、妇用卫生巾等容易堵塞的物品。请不要用重力撞击陶瓷，以防止破损漏水。不要在规定的使用环境外使用。

注意：智能盖板的清洗和维护详见用户手册。

注意：一定要先彻底冲洗供水管以清除管道中的杂质，使用水源为自来水或可供饮用水。