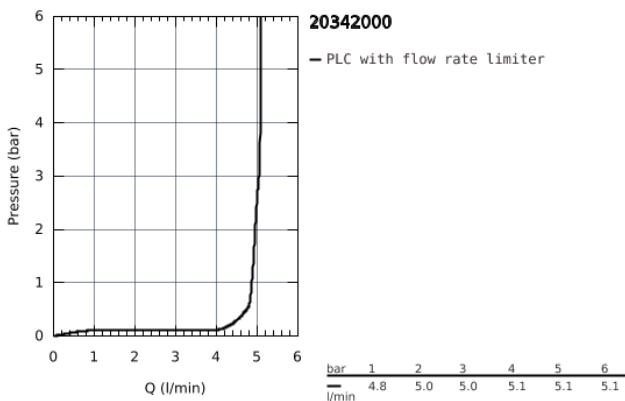
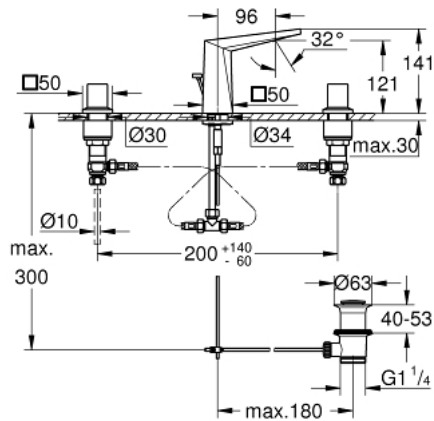


20 342 000 **ALLURE BRILLIANT THREE-HOLE BASIN MIXER 1/2" S-SIZE**

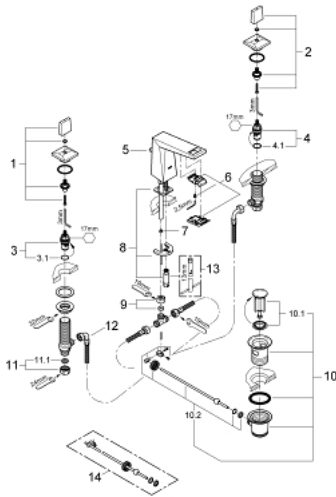


PRODUCT DESCRIPTION

- Colour: chrome
- ceramic headparts 1/2", 90°
- GROHE Water Saving 5.0 l/min. flow limiter
- low spout with integrated mousseur
- pop-up waste set 1 1/4"
- pressure-proof, flexible connection hoses between spout and side valves
- min. recommended pressure 1.0 bar



20 342 000 ALLURE BRILLIANT THREE-HOLE BASIN MIXER 1/2" S-SIZE



SPARE PARTS, August 2010 – spareParts.validDate.now

- 1: Allure Brilliant handle red (Order-nr. 48129000)
- 2: Allure Brilliant handle blue (Order-nr. 48130000)
- 3: Ceramic headpart, 1/2" (Order-nr. 45882000)
- 3.1: O-ring Ø 18.2 x Ø 1.7 (Order-nr. 0392400M)
- 4: Ceramic headpart, 1/2" (Order-nr. 45883000)
- 4.1: O-ring Ø 18.2 x Ø 1.7 (Order-nr. 0392400M)
- 5: Pop-up rod (Order-nr. 46787000)
- 6: Race (Order-nr. 46794000)
- 7: Flow limiter (Order-nr. 48160000)
- 8: Shank fastening assembly (Order-nr. 46671000)
- 9: Compression union 3/8" (Order-nr. 12914000)
- 10: Waste set 1 1/4" (Order-nr. 28910000)
- 10.1: Plug (Order-nr. 07182000)
- 10.2: Eccentric rod (Order-nr. 07052000)
- 11: Coupling nut 1/2" (Order-nr. 1290100M)
- 11.1: Fibre seal dia. Ø 18,5 x Ø 12 x 2 (Order-nr. 0138900M)
- 12: Flexible connection hose (Order-nr. 45704000)
- 13: Mounting wrench (Order-nr. 19017000)*
- 14: Eccentric rod (Order-nr. 07341000)*

* Optional accessories