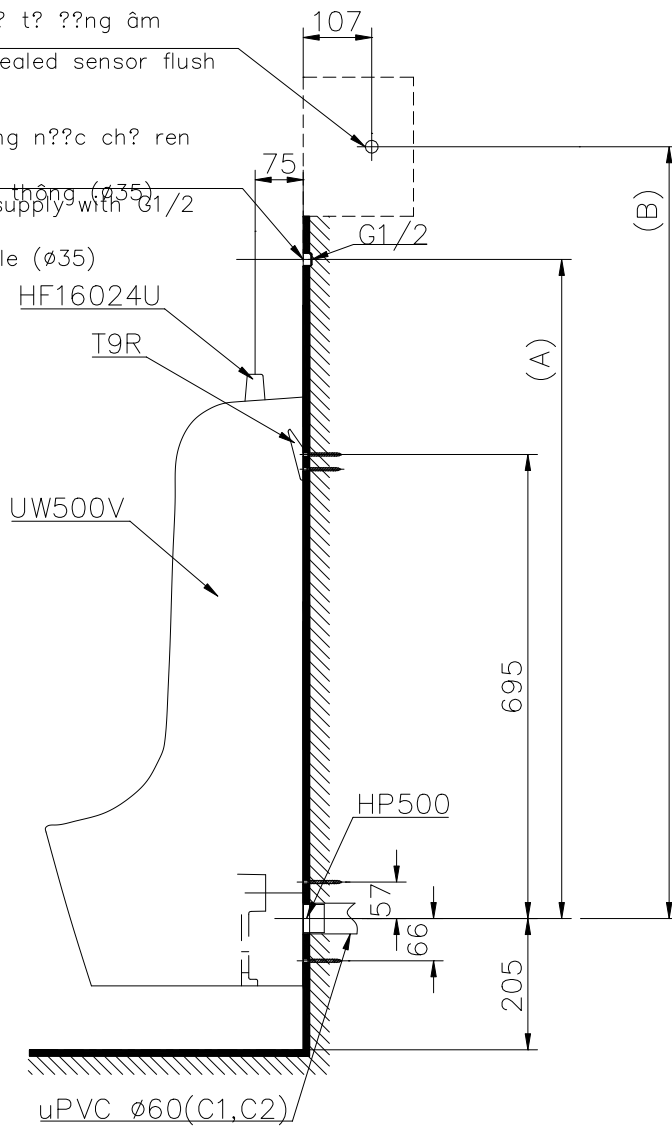


L? c?p van x? t? ??ng âm
Inlet for concealed sensor flush valve

Tr??ng h?p ? : B? trí ?ng n??c ch? ren trong G1/ 2
Case ? : Prepare water supply with G1/2 female thread
Case ? : Drill through hole (ø35)



HF16024U

T9R

UW500V

HP500

uPVC ø60(C1,C2)