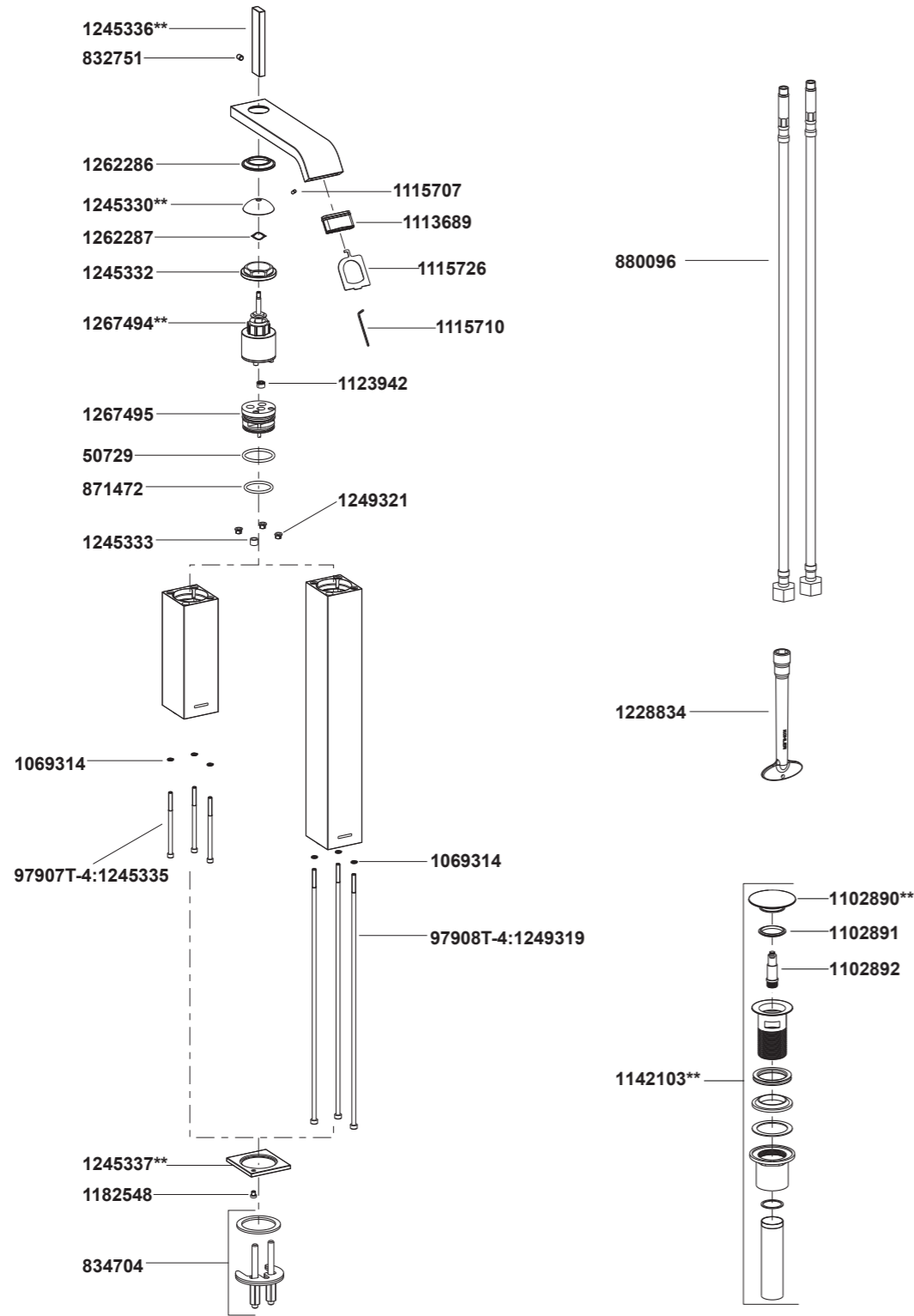


97907T-4 Single Handle Lavatory Faucet
97908T-4 Single Handle Tall Lavatory Faucet



**Color code must be specified when ordering.

97907T-4 Single Handle Lavatory Faucet
97908T-4 Single Handle Tall Lavatory Faucet

BEFORE YOU BEGIN

All information is based on the latest product information available at the time of publication. Kohler Co. reserves the right to make changes in product characteristics, packaging, or availability at any time without notice.

Please leave these instructions for the consumer. They contain important information.

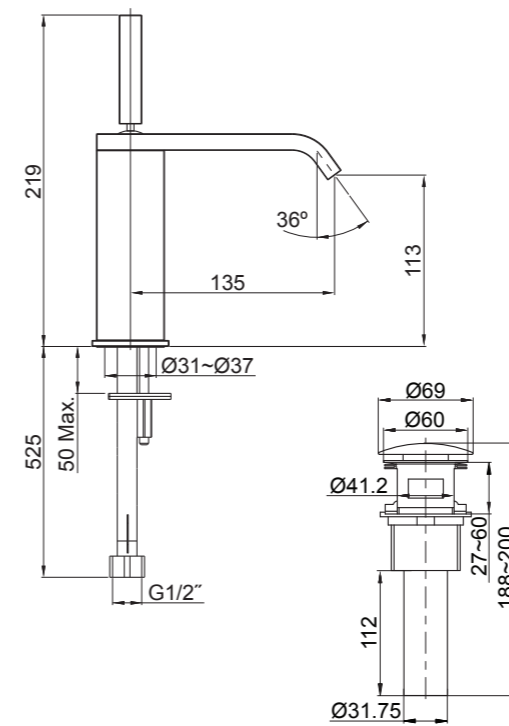
NOTES:

1. Flush the water supply pipes thoroughly to remove debris.
2. If possible, install this faucet before installing the lavatory.
3. Inspect the supply tubing for damage and leakage. Replace and maintain as necessary.
4. Observe local plumbing codes.
5. Shut off the water supplies to the fitting.
6. **The highest working pressure for faucet is 0.5MPa(5bar). If it exceeds 0.5MPa(5bar), a pressure reducer is needed. Or maybe damage the faucet.**

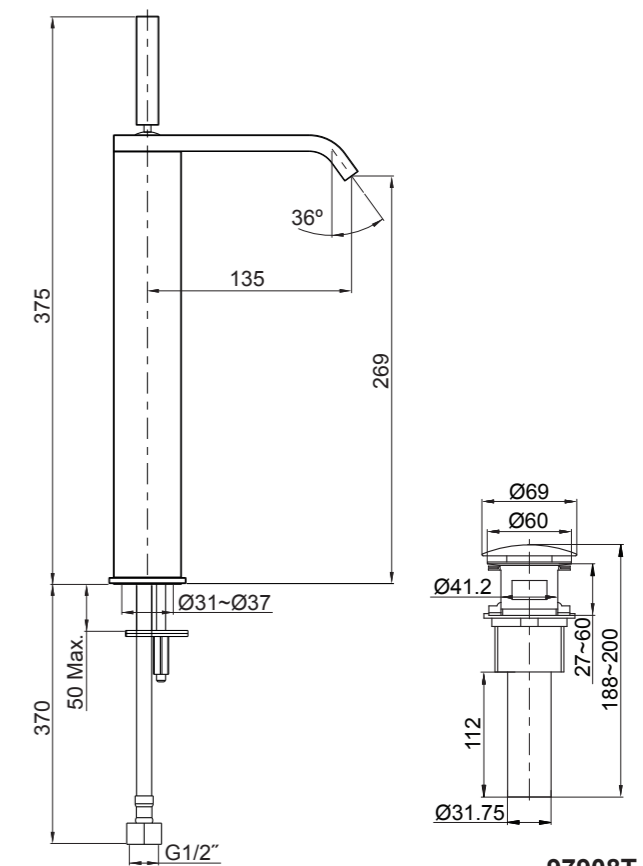
HANDLE OPERATION

Lift handle gently. Turn clockwise for hot water, turn counter-clockwise for cold water.

ROUGH-IN DIMENSIONS

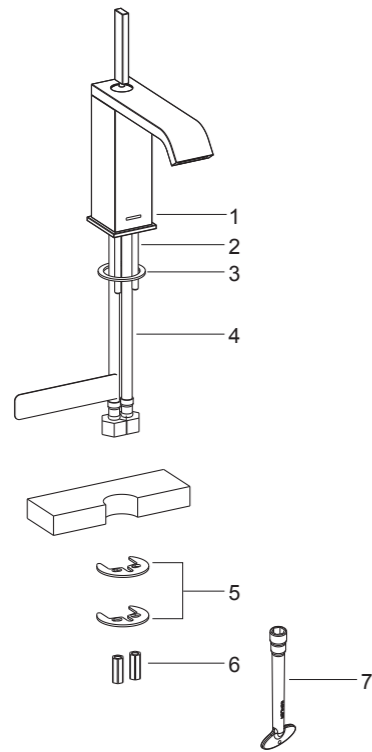


97907T-4



97908T-4

INSTALLATION



How to Install the Spout

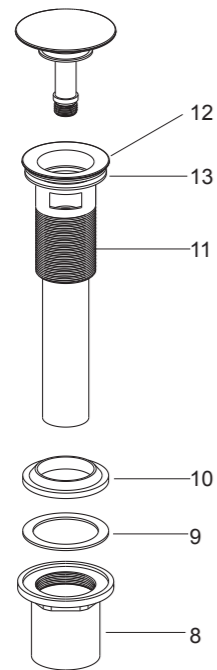
If needed to take off the hoses(4) to repair, reinstall and tighten them by hand.

Install the mounting stud(2) into the faucet body base(1). Slide the washer(3) over the flexible hoses(4) and mounting stud, and into the groove at the bottom of the faucet body.

Insert the faucet assembly into the lavatory hole. Position the faucet. From underside of the lavatory, place the brackets(5, Rubber washer is on the top) onto the mounting stud. Tighten the nuts(6) by wrench(7) to secure the faucet.

Attach the hoses to water supplies. The hose with "COLD" label connects to cold water.

①



How to Install the Drain

Remove the locknut(8), plastic washer(9), rubber gasket(10) from the drain body(11).

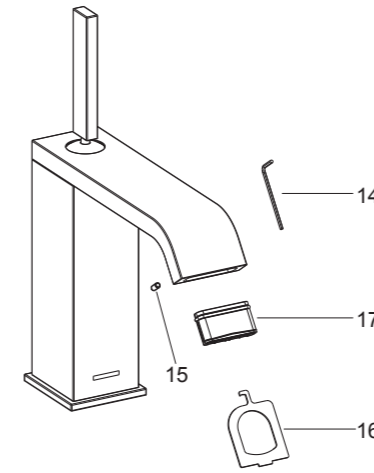
Insert the drain body into the lavatory. Reinstall the rubber gasket(Tapered side up), plastic washer and locknut back to the drain body in turn. Tighten the locknut.

NOTE: If needed, apply a ring of plumbers putty or other sealants around the underside of the drain flange(12), instead of using rubber washer(13).

Do not reposition the drain after the locknut is tightened, or you may break the putty or sealant seal. Remove any excess putty.

②

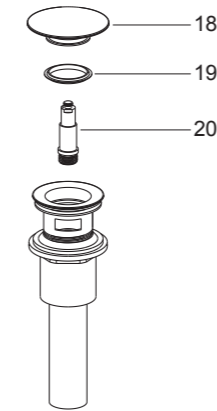
INSTALLATION CHECKOUT



Ensure that all connections are tightened and the handle is in the off position.

Open the drain. Turn on main water supply and check for leaks. Repair as required.

Loosen screw(15) with 1.5mm hex wrench(14). Remove the aerator(17) carefully with key(16). Turn on the faucet. Run the water through the spout for about one minute to remove any debris. Remove any debris from the aerator. Shut off the faucet. Keep the fixing hole facing downwards, reinstall the aerator.



Replacing the Washer & Piston Kit

Turn counterclockwise to remove the stopper(18). Take out washer(19). Replace with a new one.

Turn counterclockwise to remove the piston kit(20). Replace with a new one. Reinstall stopper and washer.

CLEANING INSTRUCTIONS

All Finishes: Clean the finish with mild soap and warm water. Wipe entire surface completely dry with clean soft cloth. Many cleaners may contain chemicals, such as ammonia, chlorine, toilet cleaner etc, which could adversely affect the finish and are not recommended for cleaning.

Do not use abrasive cleaners or solvents on Kohler faucets and fittings.