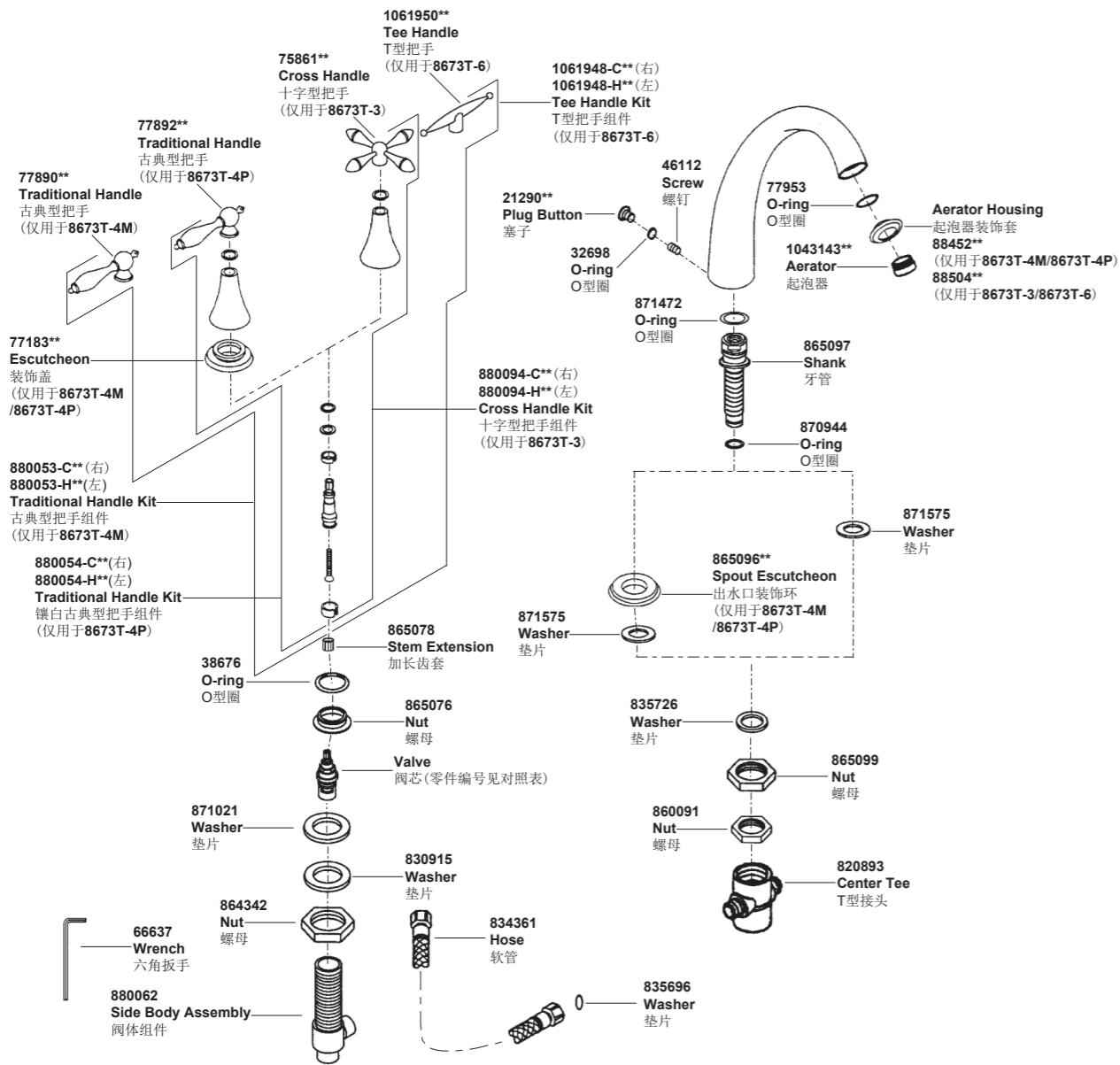


8673T 缸边(台面)式浴缸龙头



产品编号	阀芯(左)	阀芯(右)
8673T-4M**	835749	835750
8673T-4P**	835749	835750
8673T-3**	835749	835749
8673T-6**	835749	835749

\*\*订购时请说明颜色编号  
\*\*Color code must be specified when ordering

8673T 缸边(台面)式浴缸龙头

安装之前

所有的资料是按最新出版的产品资料编写而成。科勒公司保留任何时候不经通知即可改变产品特性、包装或产品可供类型的权利。

说明书包括重要的安装、保养及清洁方面的内容，请把这些资料交给用户阅读。

注意事项：

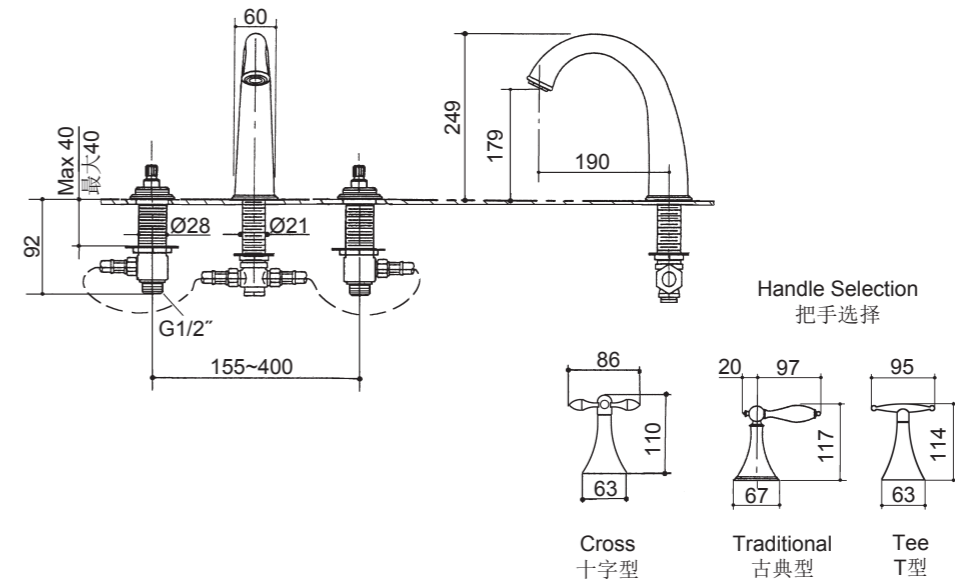
1. 切断供水管路。
2. 检查供水管有无损坏。如需要，进行替换。
3. 遵守所有当地管路安装条例。
4. 尽可能在安装浴缸之前安装水龙头。

使用说明

逆时针旋转左把手为开，顺时针旋转右把手为开。

(8673T-3和8673T-6，逆时针旋转两把手为开，顺时针旋转两把手为关。)

安装尺寸



BEFORE YOU BEGIN

All information is based on the latest product information available at the time of publication. Kohler Co. reserves the right to make changes in product characteristics, packaging, or availability at any time without notice.

Please leave these instructions for the consumer. They contain important information.

NOTES:

1. Shut off the water supplies to the fitting.
2. Inspect the supply tubing for damage. Replace as necessary.
3. Observe local plumbing codes.
4. If possible, install this faucet before installing the tub.

HANDLE OPERATION

Left handle opens with one-quarter turn counter-clockwise. Right handle opens with one-quarter turn clockwise.

(As for 8673T-3 & 8673T-6, both handles open with one-quarter turn counter-clockwise and close with one-quarter turn clockwise.)

ROUGH-IN DIMENSIONS

## 安装步骤

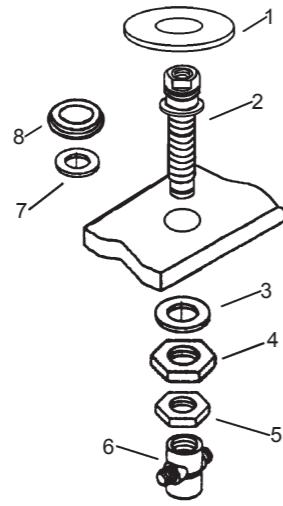
### 如何安装牙管

从牙管(2)上依次取下T形接头(6)、螺母(5)、螺母(4)和垫片(3)。

在牙管上套上装饰盖(8)和垫片(7)(如选择波浪形把手或十字型把手,则无装饰盖),然后将牙管(2)插入浴缸中孔。

将保护套(1)从上部套在牙管上。安装垫片(3)、螺母(4)、螺母(5),上下同时用力拧紧螺母(4),然后拧紧螺母(5)。

将T形接头旋到牙管上,直至用手拧紧。



## INSTALLATION

### How To Install The Shank

Remove the parts from the shank(2) and retain them according to the following order: supply tee(6), nut(5), nut(4) and washer(3).

Install the escutcheon(8) and washer(7) to the shank(2) (if scroll or cross handles are chosen, escutcheon will not be used), then fit the shank to the center hole of tub.

Install protecting sleeve(1) to the shank from the top. Install the washer(3), nut(4), nut(5), and wrench to tighten nut(4), then tighten nut(5).

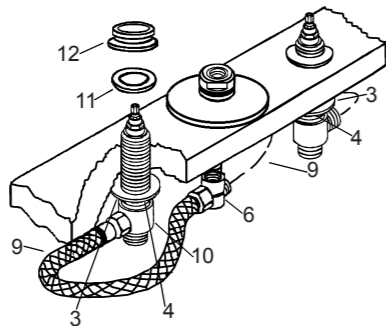
Thread supply tee to the shank of the unit kit until hand-tight.

### 如何安装阀体

在每个阀体上旋上螺母(4)和垫片(3)。

如图所示,将阀体(10)与T形接头(6)用软管(9)连接。

**注意:** 将阀体定位,使得面向龙头时,贴有蓝色标记的阀体位于右面(十字把手的阀体无标识,左右可互换)。为了安装方便,可适当旋松T形接头,但不要超过180度。安装必须保证软管水流顺畅。软管(9)只能用在此处。



从台面或浴缸边缘的底部将阀体穿过安装孔。

在每一个阀体上套上垫片(11),旋上螺母(12)(平面向下)。用扳手拧紧螺母(4)。

### How To Install The Side Bodies

Thread nut(4), and followed by washer(3) onto each side body.

Connect the side bodies(10) and center tee(6) with hoses(9) as in the drawing.

**NOTE:** Install valve body with blue mark so it is on the right when facing the front of the faucet (There are no marks on the valve bodies cross handles, and both could be exchanged). To ease installation, you may back off the supply tee up to 180 degrees. Ensure that there is no kinking of the hoses. The hoses(9) should only be used here.

Insert side bodies through mounting holes from the bottom of the deck or bath tub rim.

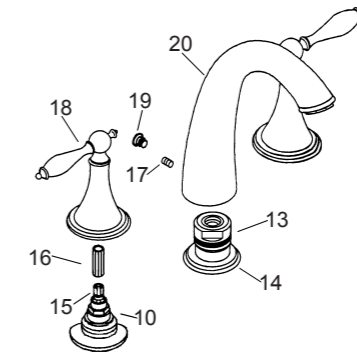
Install washer(11) and thread nut(12) with flange side down on each side body. Wrench to tighten nut(4).

## 如何安装把手和出水口

把齿套(16)按在阀轴(15)上,将把手组件(18)旋到阀体(10)上,直到与台面或浴缸边缘接触(**注:**带红色垫片的把手组件装在左侧。如果选择波浪型或者十字型把手则无装饰盖)。取下保护套扔掉。

将出水口(20)插入牙管,直至与装饰环(14)或台面接触。用六角扳手锁紧螺钉(17),然后将塞子(19)塞入螺钉孔。

出水口及把手安装完毕处于关闭状态时的位置如下图所示。

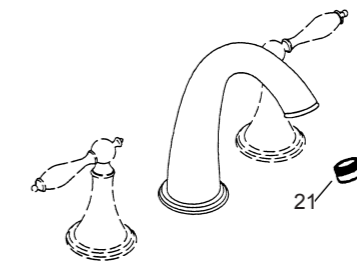


## 安装结果检查

确保已拧紧所有连接处。

打开主供水源,检查渗漏。

取下起泡器(21)。打开冷热水阀,使水流过出水口,除掉杂物,关闭阀。重新装回起泡器。



## 清洗说明

适用于所有加工处理过的表面:以中性肥皂水清洗镀层表面,再以干净的软布彻底擦干整个表面,许多清洁剂,比如氨水、去污粉及洁厕灵等,会对电镀表面造成伤害,切忌使用。

有磨损性的清洁用具或清洁剂也不可适用于科勒牌的水龙头及其配件上。

## How To Install The Handles And Spout

Press the extension stem(16) onto the valve stem(15). Thread the assembled handle kit(18) to the side body(10) until it contacts the deck or bath tub rim (**NOTE:** The handle kit with red washer should be installed on the left side of body. If scroll handles or cross handles are chosen, escutcheon will not be used). Remove and discard the protecting sleeve.

Insert the spout(20) to the shank until it contacts the escutcheon(14) or deck. Tighten the screw(17) by hex wrench provided, then insert the plug button(19) into rear hole.

The following configuration shown is the correct position for the installed spout and handles when closed.

## INSTALLATION CHECKOUT

Ensure that all connections are tight.

Turn on the main supply and check for leaks.

Remove the aerator(21). Open both hot and cold valves and run water through the spout to remove any debris. Turn off the valves. Reinstall the aerator.

## CLEANING INSTRUCTIONS

All Finishes: Clean the finish with mild soap and warm water. Wipe entire surface completely dry with clean soft cloth. Many cleaners may contain chemicals, such as ammonia, chlorine, toilet cleaner etc, which could adversely affect the finish and are not recommended for cleaning.

Do not use abrasive cleaners or solvents on Kohler faucets and fittings.