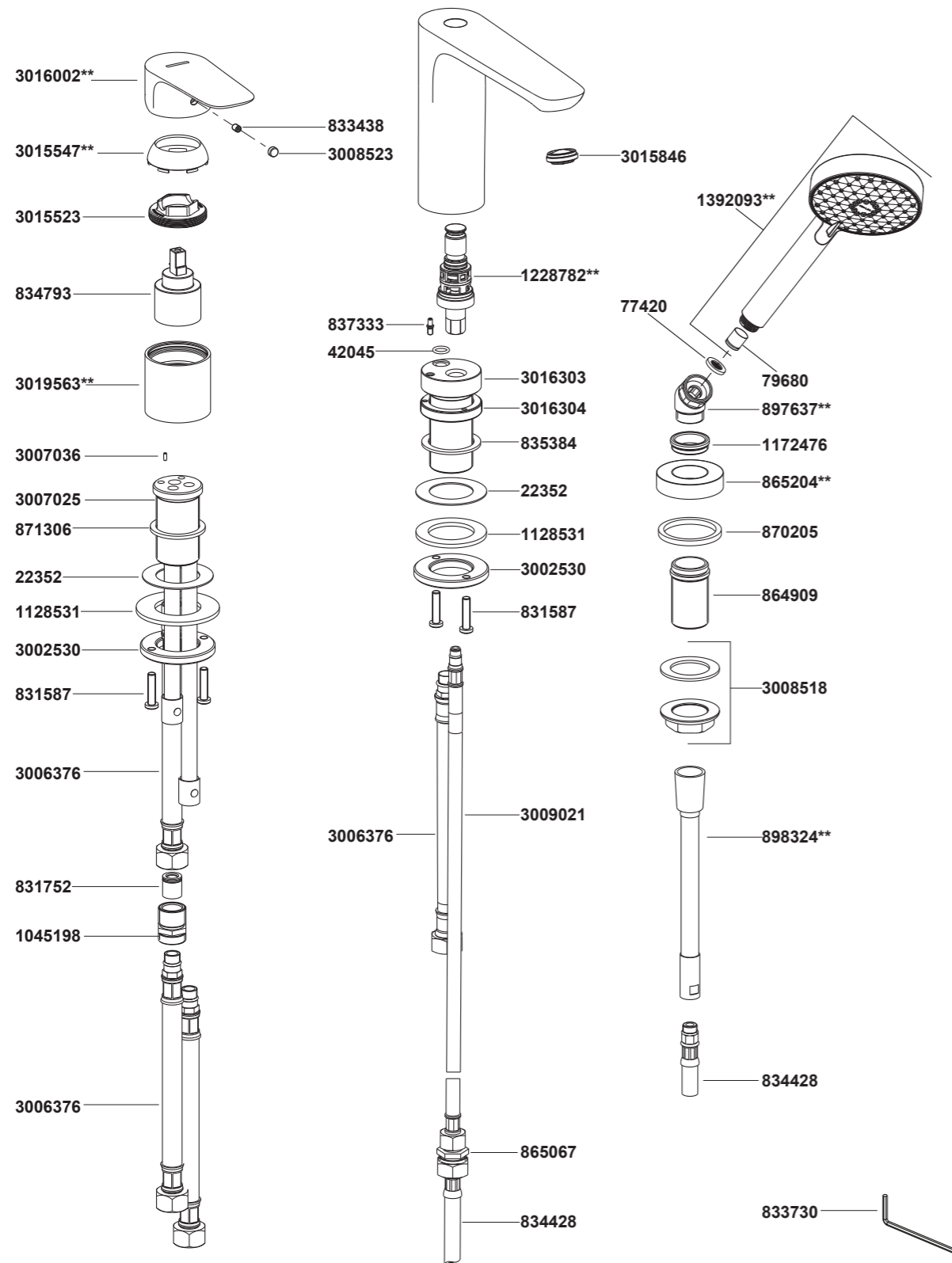


72292T-4 3 Holes Deck Mount Bath Shower Faucet



**Color code must be specified when ordering.

72292T-4 3 Holes Deck Mount Bath Shower Faucet

BEFORE YOU BEGIN

All information is based on the latest product information available at the time of publication. Kohler Co. reserves the right to make changes in product characteristics, packaging, or availability at any time without notice. Please leave these instructions for the consumer. They contain important information.

NOTES:

1. Flush the water supply pipes thoroughly to remove debris.
2. Inspect the supply tubing for damage and leakage. Replace and maintain as necessary.
3. Observe local plumbing codes.
4. If possible, install the faucet before installing the tub.
5. The highest working pressure for handspray is 0.5MPa(5 bar). If it exceeds 0.5MPa(5 bar), a pressure reducer is needed. The highest water and environment temperature is 60°C. Please keep handspray, showerhead and the shower arm away from heater, or it may become damaged and cause injury to the user.

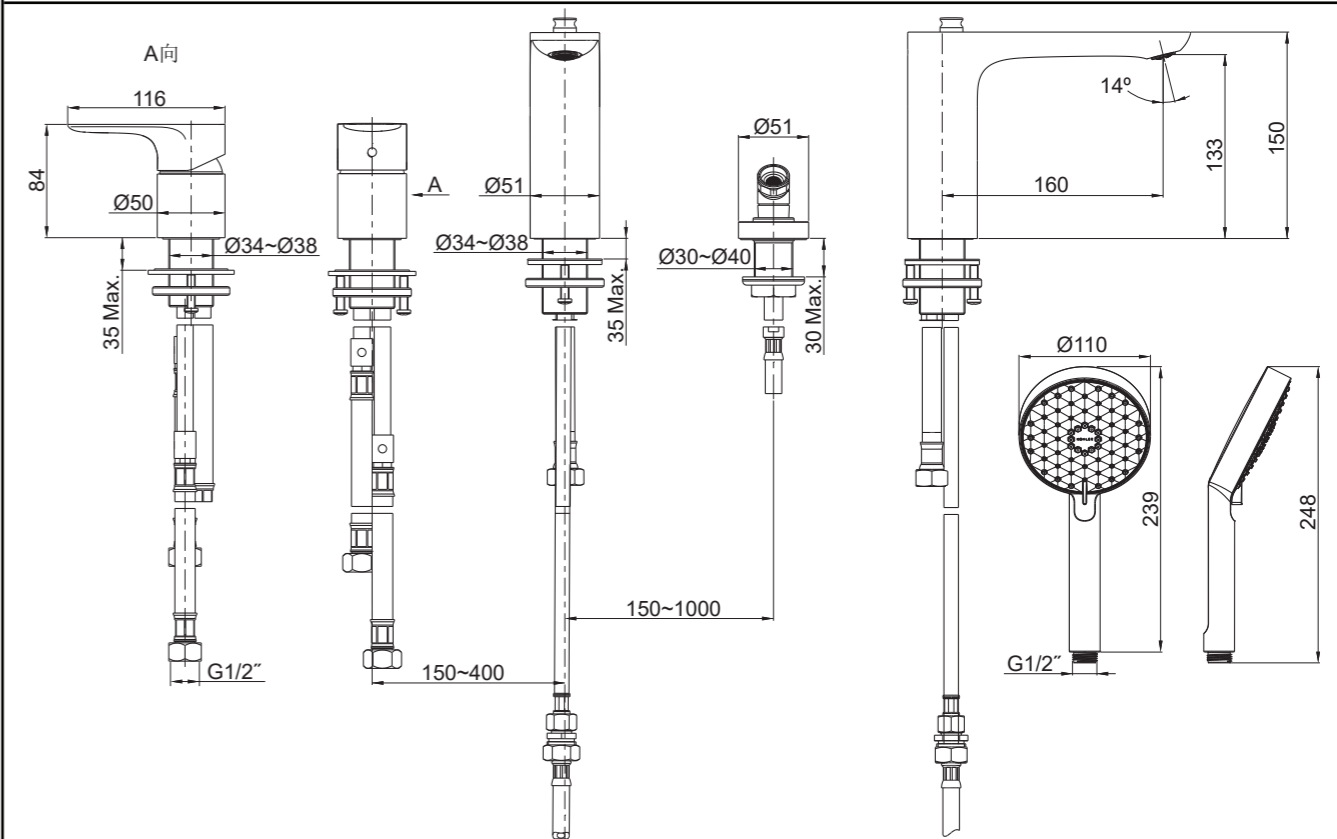
HANDLE OPERATION

Lift handle gently. Turn clockwise for hot water, turn counter-clockwise for cold water. Press the diverter knob for handspray.

STANDARD APPLICABLE

Special model meets or exceeds the following at date of manufacture: TIS

ROUGH-IN DIMENSIONS



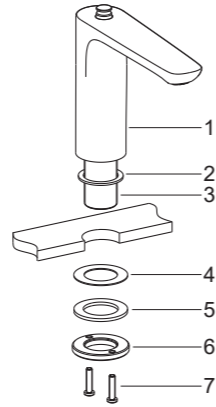
INSTALLATION

How to Install the Spout

Put the washer(2) into the bottom groove of spout(1). Insert the spout assembly into the center hole of tub.

Thread the screws(7) onto the threaded ring(6). From underside of the tub, fit the fiber washer(4), steel washer(5) and threaded ring(6) on the shank(3).

Position the spout assembly, keep spout frontwards. Secure the spout assembly by tightening screws(7).

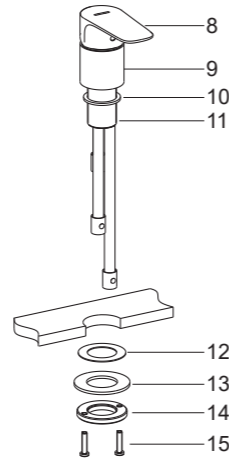


How to Install the Valve Assy

Put the washer(10) into the bottom groove of valve assembly(9). Insert the valve assembly into the left mounting hole.

Thread the screws(15) into the threaded ring(14). From underside of the tub, fit the fiber washer(12), steel washer(13) and threaded ring(14) on the shank(11).

Position the valve assembly, keeping the handle(8) frontwards. Secure the valve assembly by tightening screws(15).

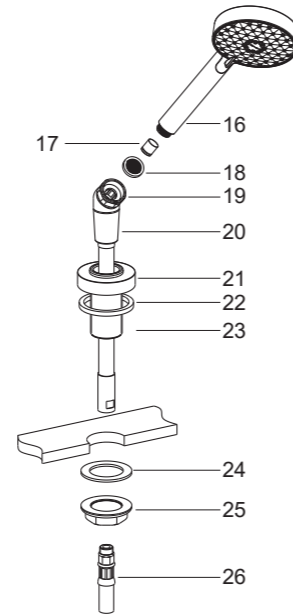


How to Install the Handspray

Put the rubber washer(22) into the groove of the escutcheon(21). Insert the shank(23) into the mounting hole. From underside, install the washer(24) and nut(25) to the shank. Then tighten the nut firmly.

Connect the hose(20, length: 2000mm) to elbow kit(19). Slide the hose through the escutcheon(21), and attach to the connection hose(26, length: 600mm).

Put the washer(18) into the elbow kit. Put the valve check(17) into the handspray(16) inlet if needed, connect the elbow kit and handspray.

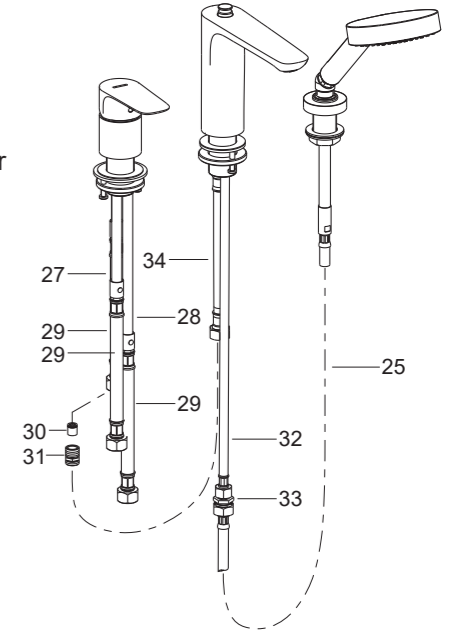


How to Connect Hoses

Thread the connector(33) into hose(32). Connect the hose(32) and hose(25).

Install the three hoses(29) to the connection tubes. Attach the hoses which connect connection tubes(27, 28) with blue and red mark to cold and hot water supplies respectively. Connect the red one to hot supply.

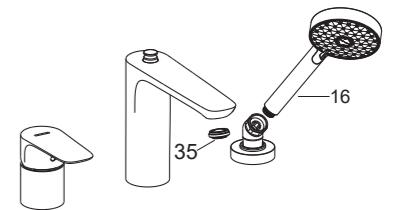
Put the check valve(30) into connector(31). Connect the rest hose(29) of the valve assembly to the hose(34) of the spout kit by the connector as shown.



INSTALLATION CHECKOUT

Ensure that all connections are tight. Ensure that the handle is in the off position.

Remove the aerator(35) by coin, Remove handspray(16). Open the drain. Turn on the main supply and check for leaks. Open valve and run water through the spout to remove any debris. Diverter to handspray to remove any debris. Turn the valve off. Reinstall the aerator and handspray.



CLEANING INSTRUCTIONS

All Finishes: Clean the finish with mild soap and warm water. Wipe entire surface completely dry with clean soft cloth. Many cleaners may contain chemicals, such as ammonia, chlorine, toilet cleaner etc, which could adversely affect the finish and are not recommended for cleaning.

Do not use abrasive cleaners or solvents on Kohler faucets and fittings.