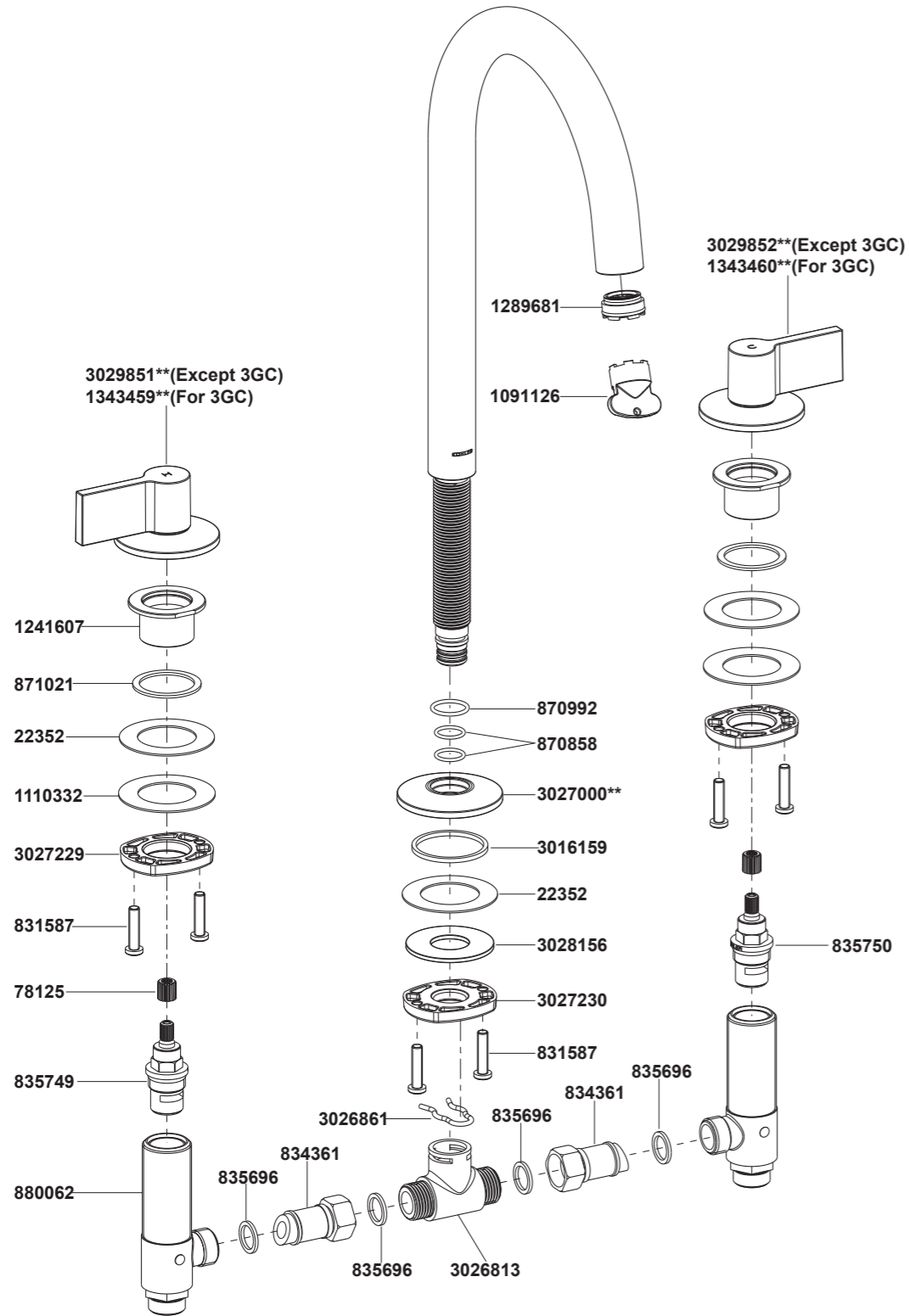


- 24711T-4-3GC Etch 2 Handle Deck Mount Bath Faucet
- 24711T-4-3TR Vibrant Ombré 2 Handle Deck Mount Bath Faucet
- 24711T-4-3RS Vibrant Ombré 2 Handle Deck Mount Bath Faucet



**Color code must be specified when ordering.
NOTE: For all Asia pacific regions (excluding China) add SP (SPxxxxxx**) in front of the part number when ordering.

- 24711T-4-3GC Etch 2 Handle Deck Mount Bath Faucet
- 24711T-4-3TR Vibrant Ombré 2 Handle Deck Mount Bath Faucet
- 24711T-4-3RS Vibrant Ombré 2 Handle Deck Mount Bath Faucet

BEFORE YOU BEGIN

All information is based on the latest product information available at the time of publication. Kohler Co. reserves the right to make changes in product characteristics, packaging, or availability at any time without notice.

Please leave these instructions for the consumer. They contain important information.

NOTES:

1. Flush the water supply pipes thoroughly to remove debris.
2. If possible, install this faucet before installing the bath tub.
3. Inspect the supply tubing for damage and leakage. Replace and maintain as necessary.
4. Observe local plumbing codes.
5. Shut off the water supplies to the fitting.

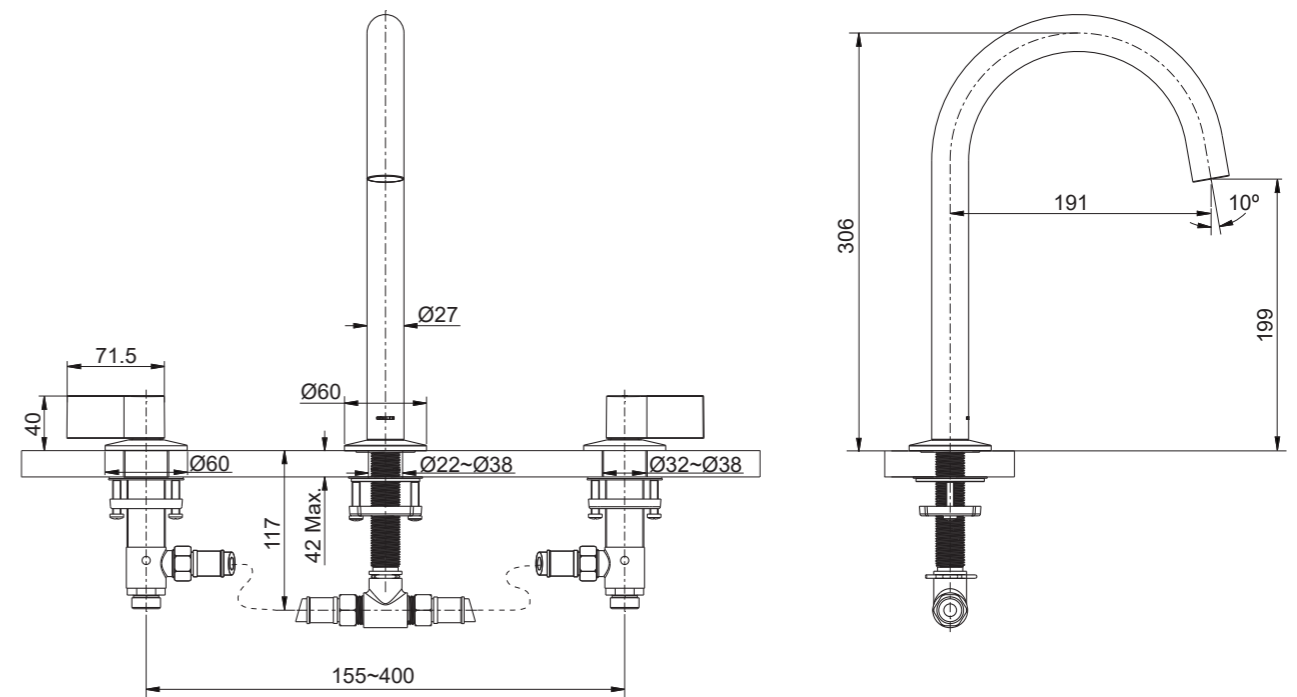
HANDLE OPERATION

Right handle open with turning clockwise, left handle open with turning counter-clockwise.

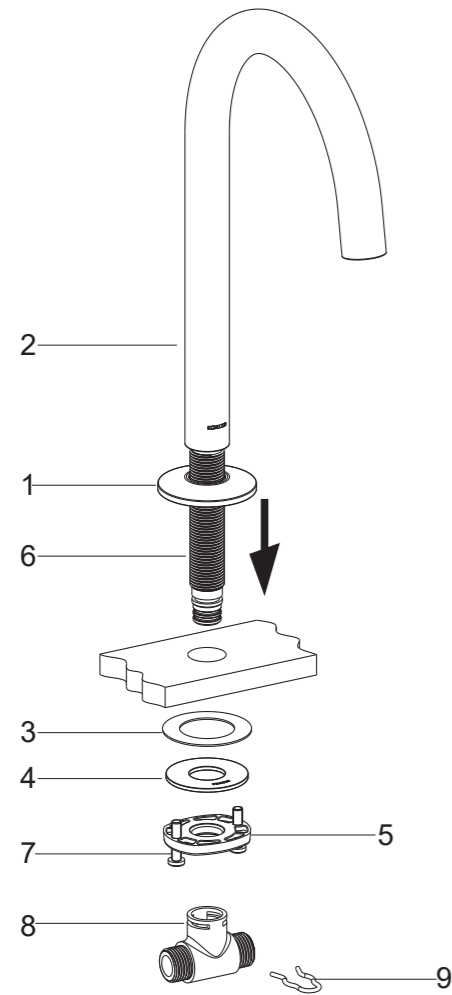
STANDARD APPLICABLE

Special model meets or exceeds the following at date of manufacture: TIS

ROUGH-IN DIMENSIONS



INSTALLATION

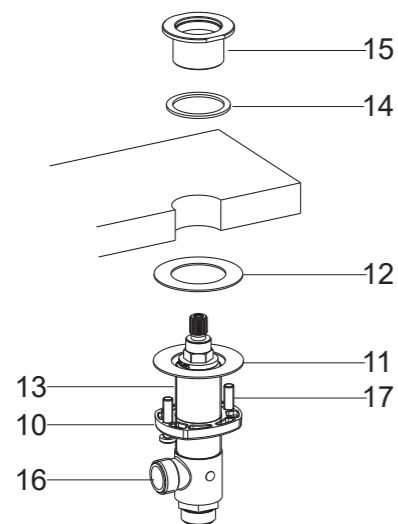


How to Install the Spout

Slide the escutcheon(1) into the bottom of the spout(2). Insert the spout kit into the mounting hole of the bathtub with escutcheon.

From underside of the bathtub, place the washer(3), steel washer(4) and fixing ring(5) onto the shank(6). Position the faucet. Screw the fixing ring. Tighten the screws(7) to secure the spout.

Install the supply tee(8) to the shank and tighten by the hook(9).

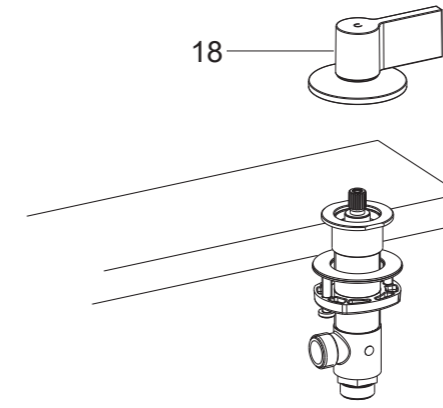


How to Install the Side Bodies and Handles

Put the threaded rings(10), steel washers(11) and washers(12) onto the side bodies(13).

Insert the side bodies into the mounting holes from underside. **NOTE:** The side body with red mark should be installed on the left. Put the washers(14) into the groove of the nuts(15). Thread the nuts onto the side bodies.

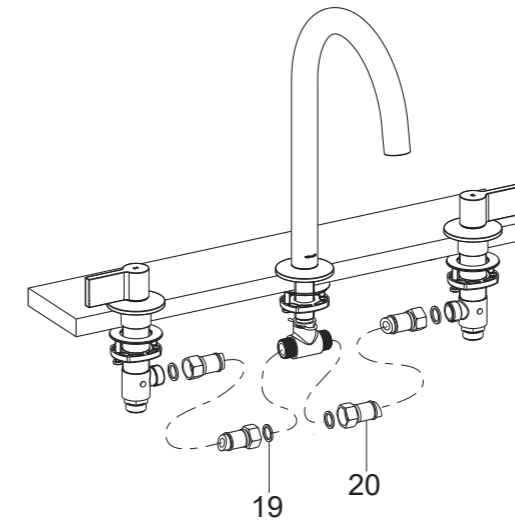
Adjust the outlet(16) of side bodies to connect hoses easily. Secure the threaded rings by tightening screws(17).



Ensure the valves and handles are in the off position.

Screw the handles(18) onto the nuts.

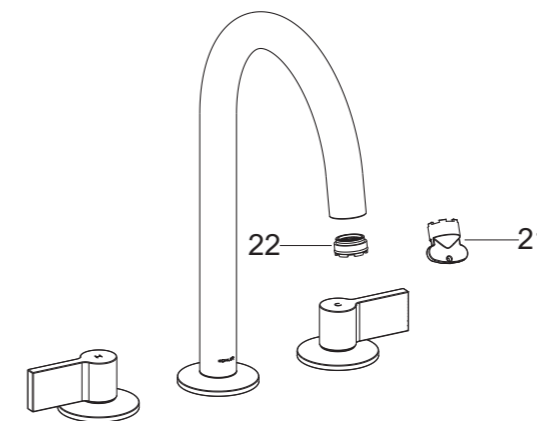
NOTE: The handle with "H" should be installed on the left.



How to Connect the Hoses

Put the washers(19) into each end of the hoses(20). Connect the hoses to the supply tees. The other end of the hoses should be connected to the outlet of side bodies.

INSTALLATION CHECKOUT



Ensure that all coupling nuts are tight. Ensure that the handles are in the off position.

Turn on the main water supply and drain, and check for leaks. Repair as needed.

Remove the aerator(22) by key(21). Run hot and cold water through faucet for about one minute to remove any debris. Check for leaks. Repair as needed. Remove any debris from the aerator. Shut off the faucet. Reinstall the aerator.

CLEANING INSTRUCTIONS

All Finishes: Clean the finish with mild soap and warm water. Wipe entire surface completely dry with clean soft cloth. Many cleaners may contain chemicals, such as ammonia, chlorine, toilet cleaner etc, which could adversely affect the finish and are not recommended for cleaning.

Do not use abrasive cleaners or solvents on Kohler faucets and fittings.