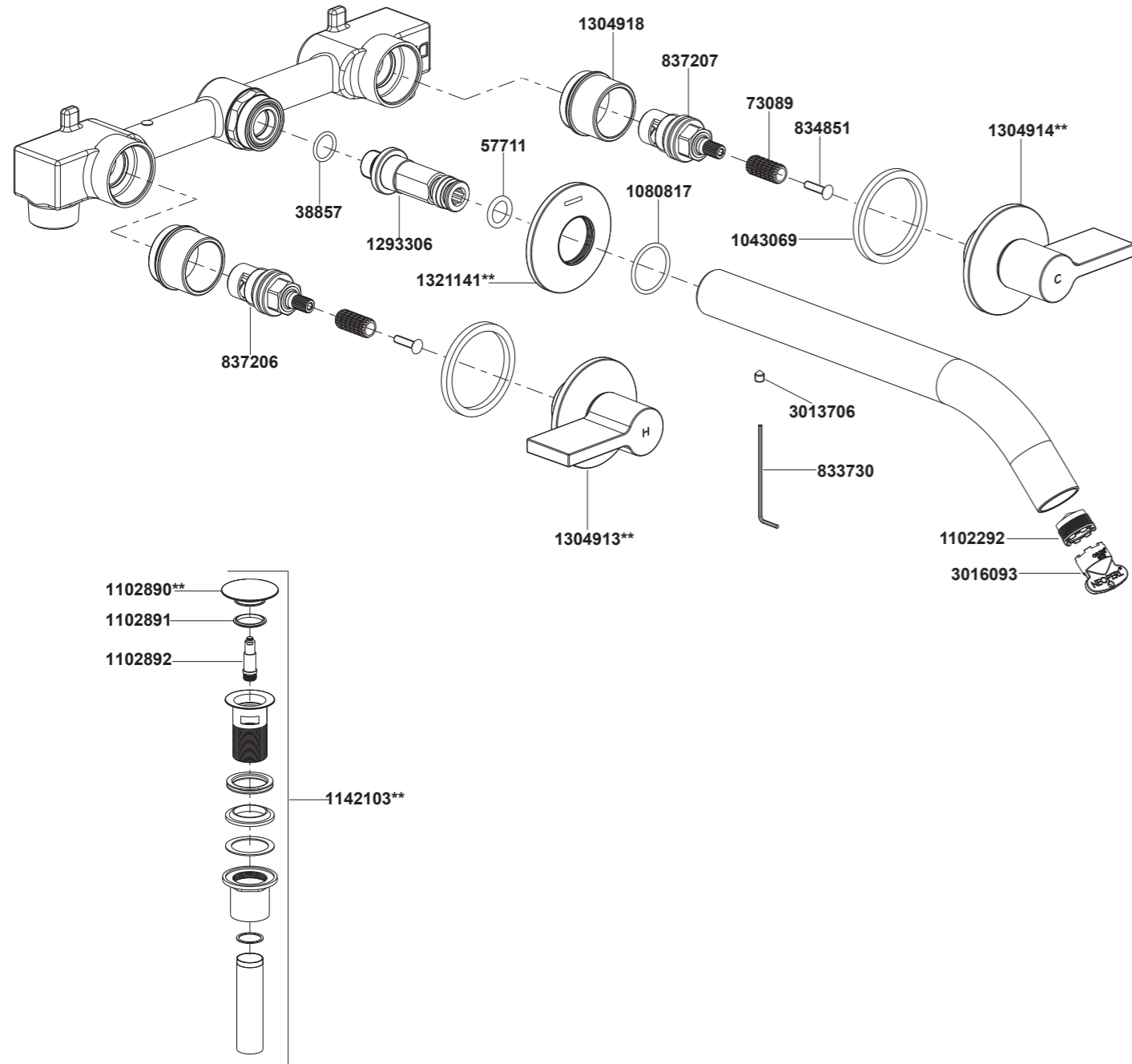


- 21901T-4-3GC Etch 2 Handle Wall Mount Lavatory Faucet
- 21901T-4-3TR Vibrant Ombré 2 Handle Wall Mount Lavatory Faucet
- 21901T-4-3RS Vibrant Ombré 2 Handle Wall Mount Lavatory Faucet



**Color code must be specified when ordering.

NOTE: For all Asia pacific regions (excluding China) add SP (SPxxxxxx**) in front of the part number when ordering.

- 21901T-4-3GC Etch 2 Handle Wall Mount Lavatory Faucet
- 21901T-4-3TR Vibrant Ombré 2 Handle Wall Mount Lavatory Faucet
- 21901T-4-3RS Vibrant Ombré 2 Handle Wall Mount Lavatory Faucet

BEFORE YOU BEGIN

All information is based on the latest product information available at the time of publication. Kohler Co. reserves the right to make changes in product characteristics, packaging, or availability at any time without notice. Please leave these instructions for the consumer. They contain important information.

NOTES:

1. Flush the water supply pipes thoroughly to remove debris.
2. Inspect the supply tubing for damage and leakage. Replace and maintain as necessary.
3. Observe local plumbing codes.
4. Check for leaks before cover the pipes, repairs as needed.
5. Please ensure only apply water pressure test on the product, and empty the air in pipe and faucet thoroughly before the test. Please ensure test pressure below 0.8MPa (8 bar) and test duration within 30 minutes.

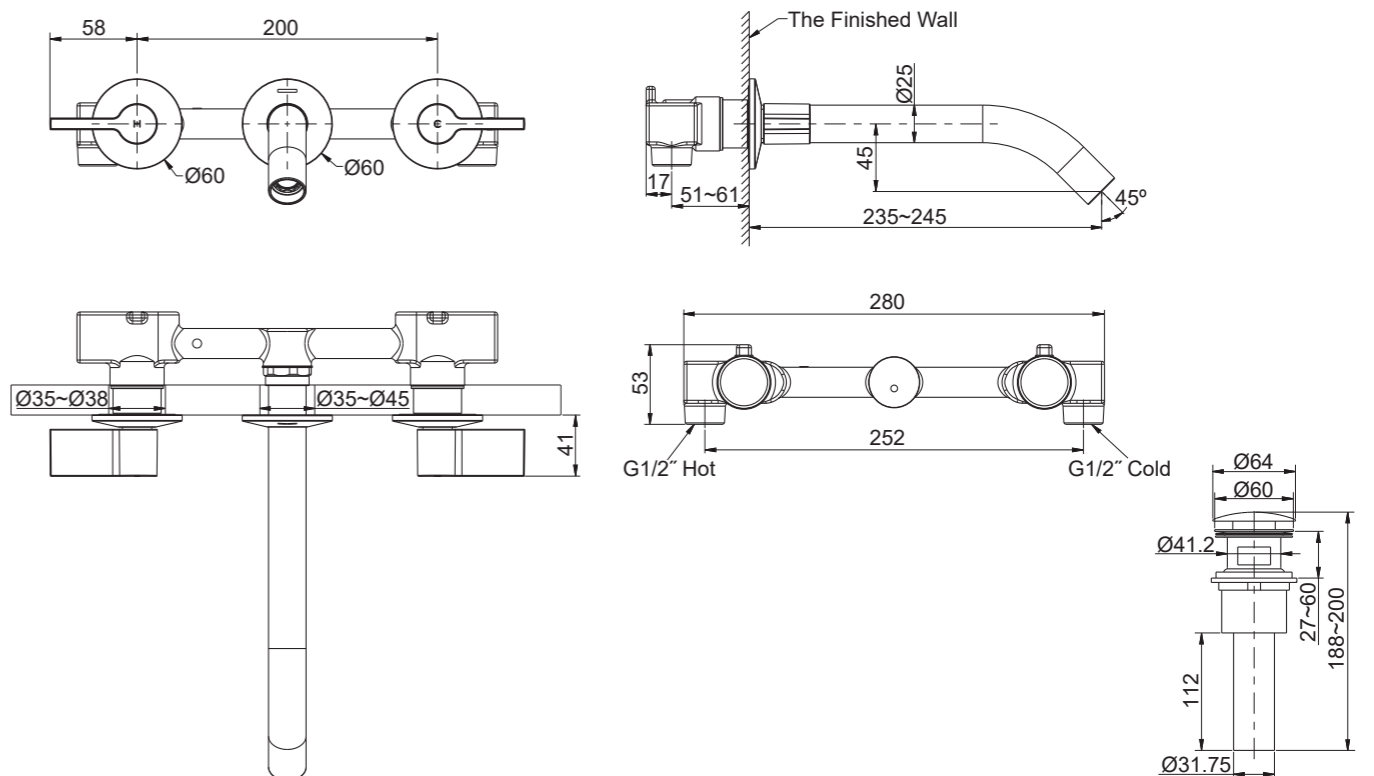
HANDLE OPERATION

Turn on the left handle counter-clockwise for hot water, turn on the right handle clockwise for cold water.

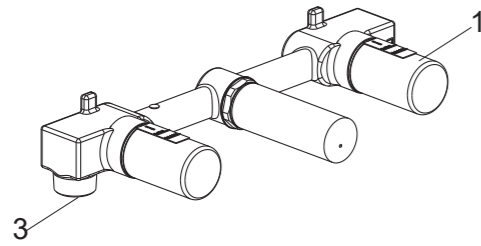
STANDARD APPLICABLE

Special model meets or exceeds the following at date of manufacture: TIS

ROUGH-IN DIMENSIONS



INSTALLATION

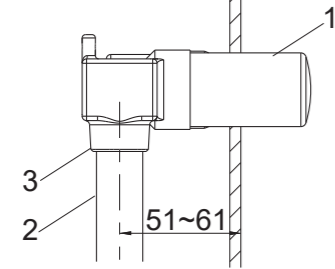


How to Install the Yoke

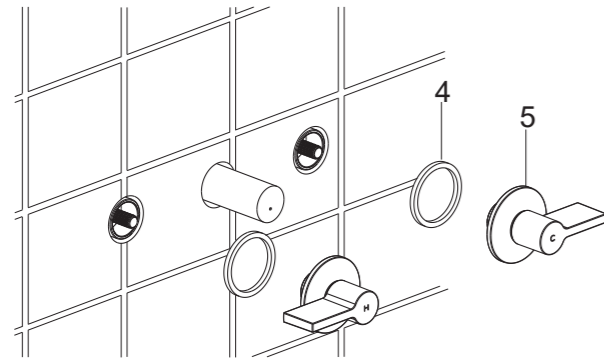
Do not take off the protectors(1) at this moment.

Connect the G1/2" water supply pipes(2) to the supply yoke(3).

The Finished Wall



The distance from centerline of the water supplies to the surface of the finished must be between 51mm and 61mm. Make sure the left supply pipe is the hot supply and connected to the end with red mark.

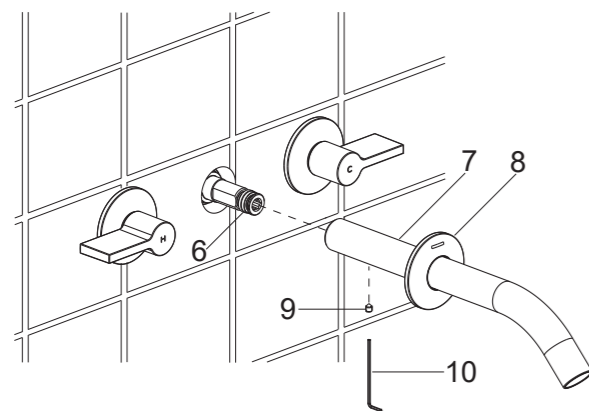


How to Install the Handles

Remove and discard the protectors(1) after completing the finished wall. Turn off the valves.

Put the washers(4) into the groove of the handle kits(5).

Screw the handle kits to the sleeves. **NOTE:** The handle kit with "H" should be installed on the left.



How to Install the Spout

Remove and discard the spout protector after completing the finished wall.

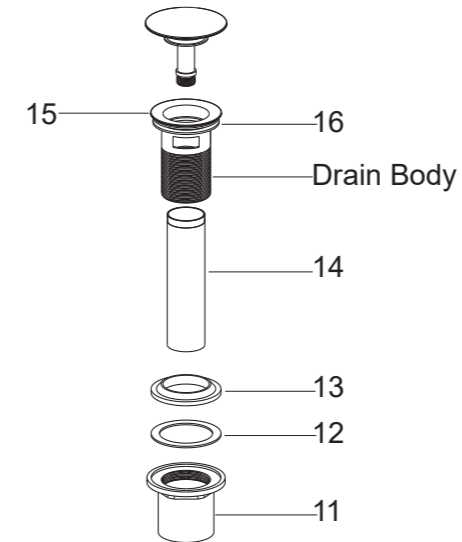
Install the connector(6) into the valve body.

Loosen the screw(9) from the spout kit(7) with hex wrench(10).

Slide the escutcheon(8) onto the spout.

Install the spout kit onto the connector. Make sure the spout outlet downwards. Tighten the screw to secure the spout kit.

Push the escutcheon against the finished wall.



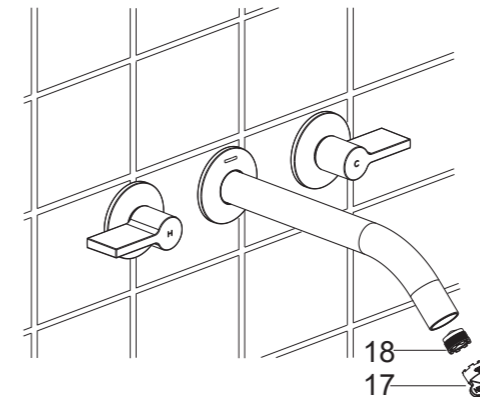
How to Install the Drain

Remove the locknut(11), plastic washer(12), rubber gasket(13) and tailpiece(14) from the drain body. Supply enough tape or sealant to tailpiece thread. Reinstall the tailpiece. Insert the drain body into the lavatory. Install the rubber gasket(Tapered side up), plastic washer and locknut back to the drain body in turn. Tighten the locknut.

NOTE: If needed, apply a ring of plumbers putty or other sealants around the underside of the drain flange(15), instead of using rubber washer(16).

Do not reposition the drain after the locknut is tightened, or you may break the putty or sealant seal.

INSTALLATION CHECKOUT

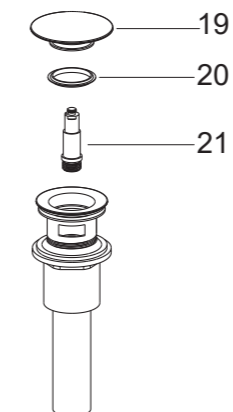


Ensure that all coupling nuts are tight. Ensure that the handles are in the off position.

Turn on the main water supply and drain, and check for leaks. Repair as needed.

Remove the aerator(18) by key(17). Run hot and cold water through faucet for about one minute to remove any debris.

Remove any debris from the aerator. Shut off the faucet. Reinstall the aerator.



Replace the Washer and Piston Kit

Turn counter-clockwise to remove the stopper(19). Take out washer(20). Replace with a new one. Turn counter-clockwise to remove the piston kit(21). Replace with a new one. Reinstall stopper and washer.

CLEANING INSTRUCTIONS

All Finishes: Clean the finish with mild soap and warm water. Wipe entire surface completely dry with clean soft cloth. Many cleaners may contain chemicals, such as ammonia, chlorine, toilet cleaner etc, which could adversely affect the finish and are not recommended for cleaning.

Do not use abrasive cleaners or solvents on Kohler faucets and fittings.