

Record your model number: _____
1521913-T2

INSTALLATION INSTRUCTIONS

TP HOLDER (W/ TRAY)

K-29233T-*/K-29234T-*/ K-29237T-*/ K-29247T-*

DOUBLE TP HOLDER (W/ TRAY)

K-29235T-*/K-29236T-*/ K-29246T-*/ K-29248T-*/ K-29249T-*

All information is based on the latest product information available at the time of publication. Kohler Co. reserves the right to make changes in product characteristics, packaging, or availability at any time without notice.

Please leave these instructions for the consumer. They contain important information.

NOTE: These products should be located and mounted on a wall. While they can be mounted to any surface, the best results will come from a stud, concrete, or drywall mounted product.

CAUTION: Risk of personal injury. These products are not designed or intended for use as a grab bar or support bar. Do not install any of these products in any area where they are likely to be used inadvertently as a grab bar or support bar.

Follow all local plumbing and building codes.

1. Recommended Toilet Paper Holder location.

2A. For Double-Post TP Holders (K-29235T/K-29236T/K-29249T), verify that the provided template aligns with your product.

3A. For TP Holders (K-29233T/K-29234T/K-29235T/K-29236T), loosen the setscrew(s) and remove the wall mounting bracket from the TP Holder Assy.

4. Uninstall the Mounting Brackets of TP Holder (K-29249T).

4A. Loosen the setscrew(s) and remove the bonnet(s) from the TP Holder Assy.

4B. Loosen the center screw(s) and remove the wall mounting bracket(s) from the bonnet(s).

5A. For Single-Post TP Holders (K-29233T/K-29234T), position the wall mounting bracket on the wall and mark the holes. Ensure that the holes are vertically levelled.

5B. For Double-Post TP Holders (K-29235T/K-29236T/K-29249T), use the provided template to mark the holes. Verify that the template and marked holes are levelled.

6A. For TP Holders (K-29237T/K-29246T/K-29247T/K-29248T), position the TP Holder Assy on the wall and ensure that the mounting bracket is horizontally levelled.

6B. For Single TP Holders (K-29237T/K-29247T), mark the two holes on the wall.

6C. For Double TP Holders (K-29246T/K-29248T), mark the four holes on the wall.

7. Choose a drill bit according to the surface on which the product is being installed.

Drill diameter 3 mm holes to install on stud, 6 mm holes for concrete wall and 8 mm holes for drywall.

8. No plugs are required, when mounted to a wood-panel wall.

8A. **Installation of concrete wall anchors:** Install wall anchors into the hole and tap with hammer until it flush with the wall.

8B. **Installation of butterfly anchors to drywall:**

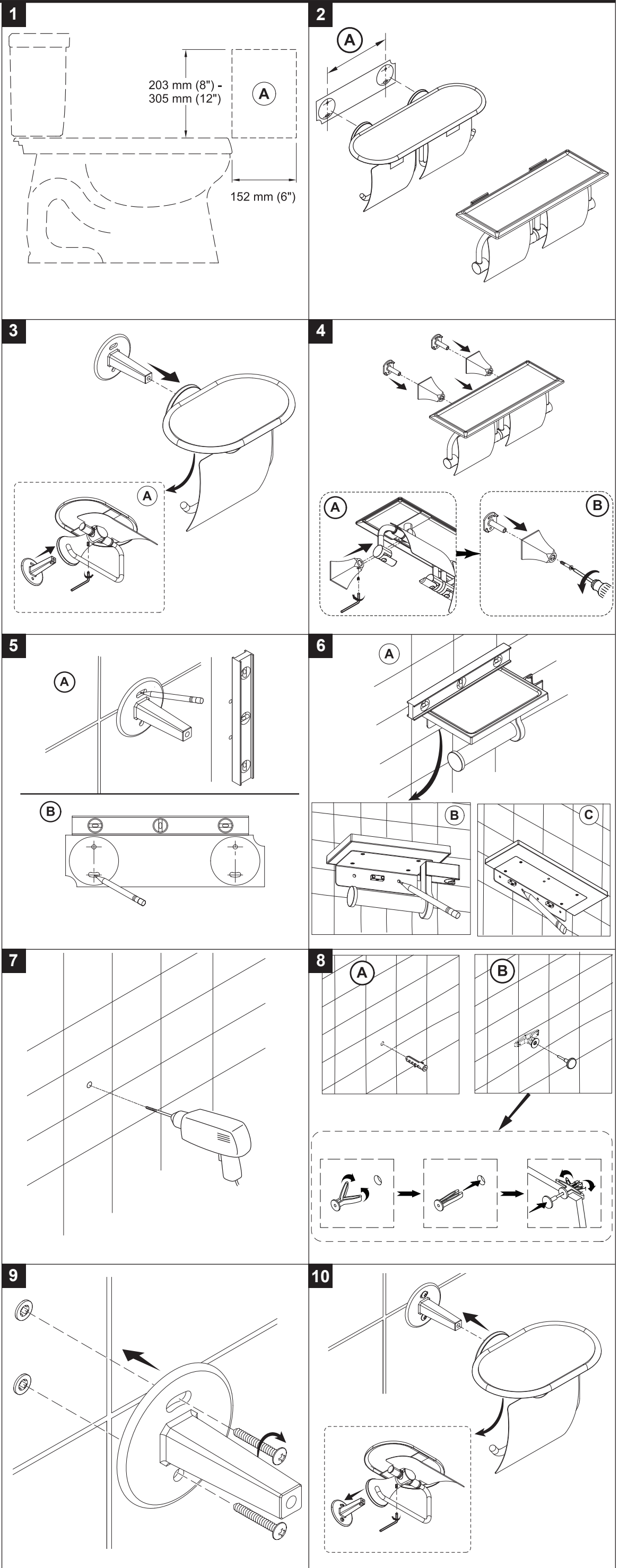
Hold the butterfly anchor and fold the edges inside.

Insert the butterfly anchor into the drilled hole.

Stretch it with pin and tap with hammer until it flush with the wall.

9. For TP Holders (K-29233T/K-29234T/K-29235T/K-29236T/K-29249T), position the wall mounting bracket on the wall. Use the screws provided in the accessory kit and secure the wall mounting bracket(s) to the wall.

10. For TP Holders (K-29233T/K-29234T/K-29235T/K-29236T), slide the TP Holder Assy onto the mounting bracket(S), tighten the setscrew(s) and secure the TP Holder Assy to the wall.



11A. For TP Holder (K-29249T), Use the escutcheons and pins provided in the accessory kit. Place the escutcheon(s) at the bottom side of the bonnet(s) (mounting bracket cover), and insert the pins to secure the escutcheon(s) to the bonnet(s).

11B. Slide the bonnet(s) onto the mounting bracket(s) and tighten the center screw(s).

11C. Position the TP Holder Assy on the bonnets, tighten the setscrews and secure the TP Holder Assy to the wall.

12A. For TP Holders (K-29237T/K-29246T/K-29247T/K-29248T), position the TP Holder Assy on the wall. Use the screws provided in the accessory kit and secure the TP Holder Assy to the wall.

12B. Slide the cover Assy onto the TP Holder Assy and tighten the setscrew(s).

13. For TP Holders (K-29237T/K-29247T), the showering bracket can be removed, if needed.

13A. Remove the screw cover, loosen the screw and uninstall the showering bracket.

13B. Install another cover from the accessory kit

14. Easy Installation of Paper Function for TP Holder (K-29249T).

14A. Install the Toilet Paper: Lift the cover, and push the paper roll horizontally.

14B. Change the Toilet Paper: Lift the cover, and pull out the paper roll horizontally, then install a new tissue paper roll.

ROUGH-IN (Unit: mm).

15. K-29233T-*/K-29234T-*

16. K-29235T-*/K-29236T-*

17. K-29237T-*/K-29247T-*

18. K-29246T-*/K-29248T-*

19. K-29249T-*

CLEANSING AND MAINTENANCE

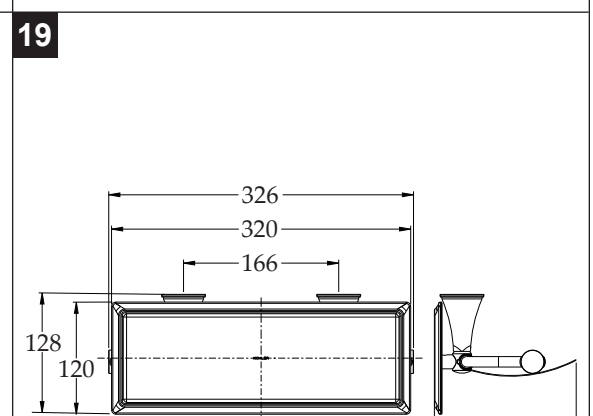
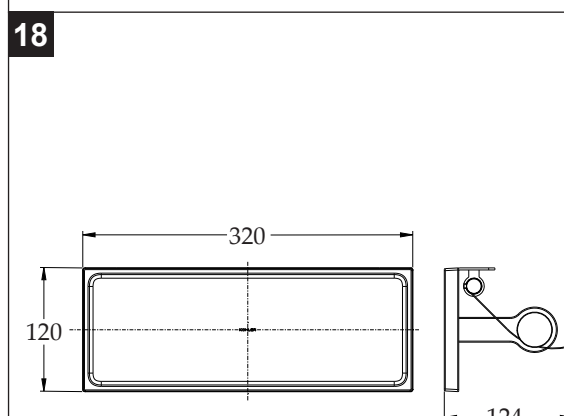
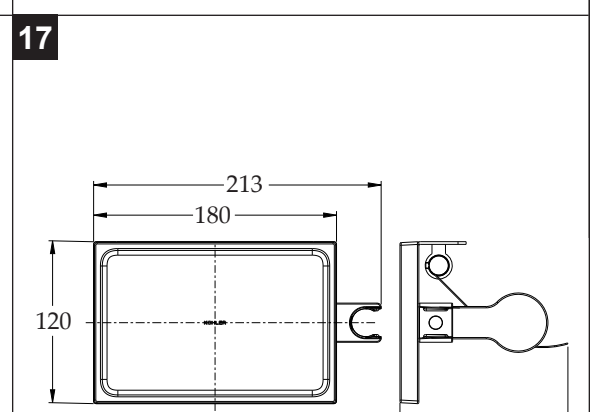
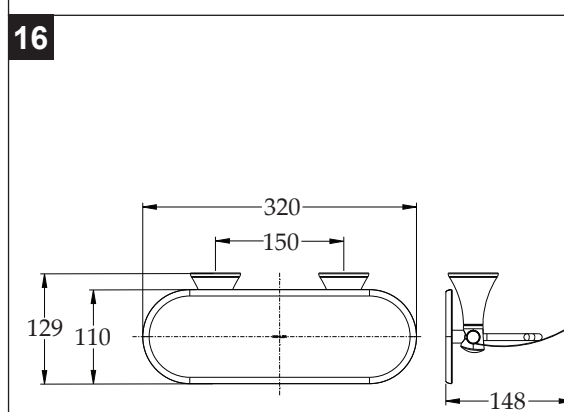
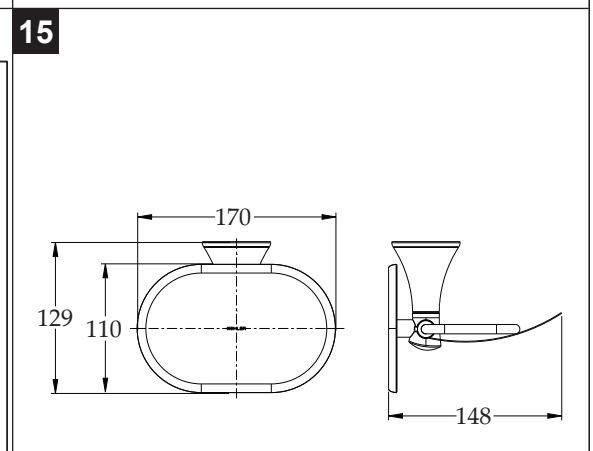
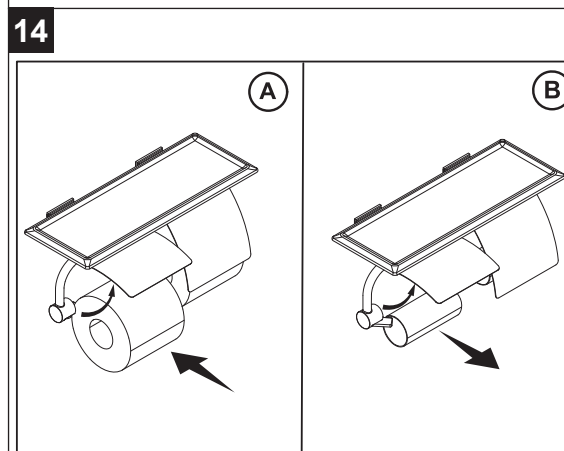
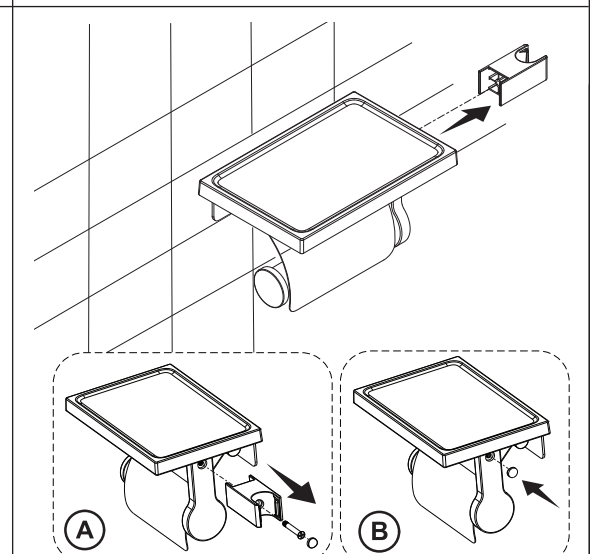
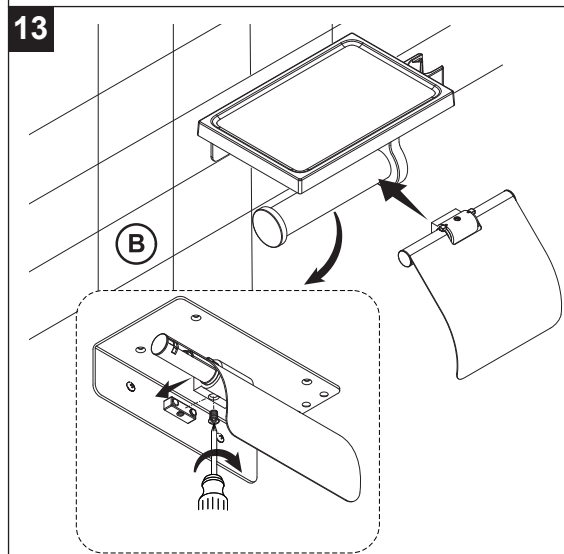
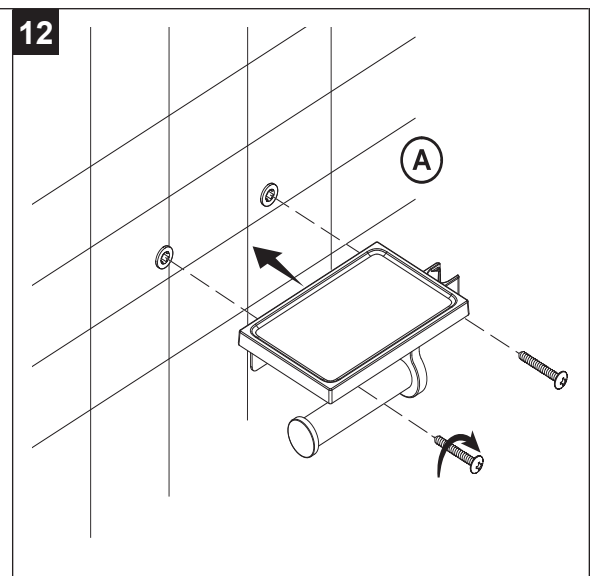
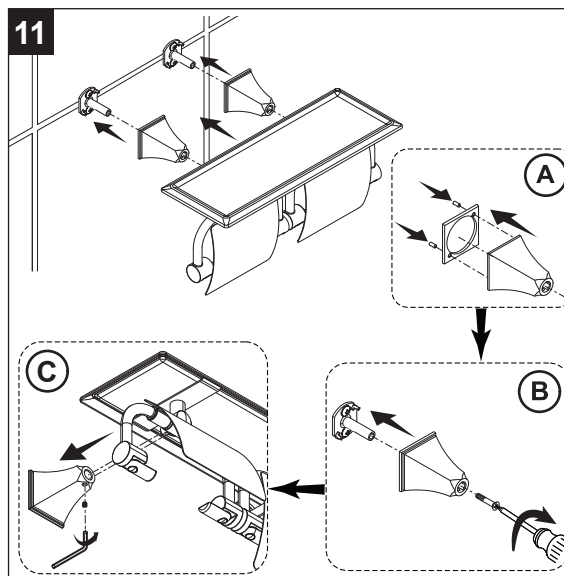
Please use mild cleaners (such as liquid cleaners and warm water) to clean the product. Do not use abrasive cleaning products or concentrated cleaners or the surface of this product may be damaged or this product may tarnish.

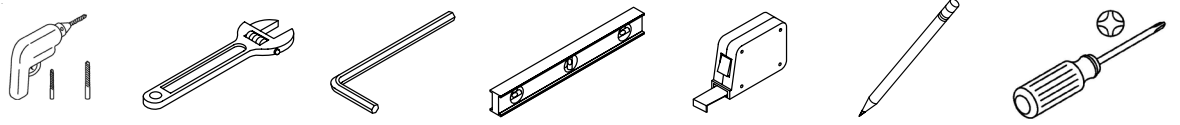
Please read the instructions of cleaners carefully to ensure that cleaners are suitable for this product. Before cleaning, please try to use cleaners to clean an inconspicuous part of the product. After wiping the product with cleaners, please immediately wipe and rinse the surface with water. At the same time, wipe cleaners splashed around.

Please use soft and wet sponge or cloth. Do not use abrasive cleaning materials such as brushes or scouring pads.

Need help? Contact our Customer Care Center.

- Kohler China Investment CO. LTD,
NO. 158, Jiang Chang San Road, Jing'an District,
Shanghai, Prc Post Code: 200436
- Mainland China: +(86) 800 820 2628, +(86) 400 820 2628
- www.kohler.com.cn





记录您的型号: _____
1521913-T2

安装说明书

带盖卫生纸架（带置物平台）

K-29233T-*/K-29234T-*/K-29237T-*/K-29247T-*

双层带盖卫生纸架（带置物平台）

K-29235T-*/K-29236T-*/K-29246T-*/K-29248T-*/K-29249T-*

所有的资料是按最新出版的产品资料编写而成。科勒公司保留任何时候不经通知即可改变产品特性，包装或产品可供类型的权利。

说明书包括重要的安装，保养及清洁方面的内容，请把这些资料交给用户阅读。

提示：本产品为水泥墙面安装，木墙面安装和石膏板墙面安装。若安装在其他表面可能影响产品性能。

小心：人身伤害风险。本产品不能作为扶手等支撑物使用，请勿将产品安装在可能被误认为扶手等支撑物的位置。

遵守所有当地管路安装及建筑条例。

1A. 建议卫生纸架的安装位置。

2A. 对于双底座卫生纸架 (K-29235T/K-29236T/K-29249T)，请确认产品与随附模板对齐。

3A. 对于卫生纸架 (K-29233T/K-29234T/K-29235T/K-29236T)，松开固定螺钉并从卫生纸架组件上拆下底座。

4. 卸下卫生纸架组件上的底座 (K-29249T)。

4A. 松开固定螺钉并从卫生纸架组件上取下支架本体。

4B. 松开中心处螺钉并从支架本体上拆下底座。

5A. 对于单底座卫生纸架 (K-29233T/K-29234T)，选择合适位置安装底座，并标记安装孔位置，同时确保安装孔竖直。

5B. 对于双底座卫生纸架 (K-29235T/K-29236T/K-29249T)，请使用随附模板标记安装孔。确保模板和标记的安装孔保持水平。

6A. 对于卫生纸架 (K-29237T/K-29246T/K-29247T/K-29248T)，将卫生纸架组件放置在墙上并确保水平。

6B. 对于单卫生纸架 (K-29237T/K-29247T)，在墙上标记两个孔的位置。

6C. 对于双卫生纸架 (K-29246T/K-29248T)，在墙上标记四个孔的位置。

7. 根据所选安装表面选择相应的钻头。

安装到木板墙上，钻直径为3mm的孔。安装到混凝土墙上，钻直径为6mm的孔。安装到石膏板墙上，钻直径为8mm的孔。

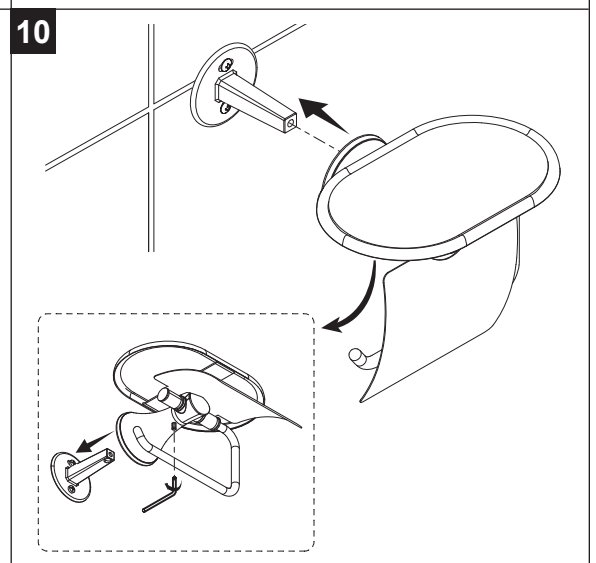
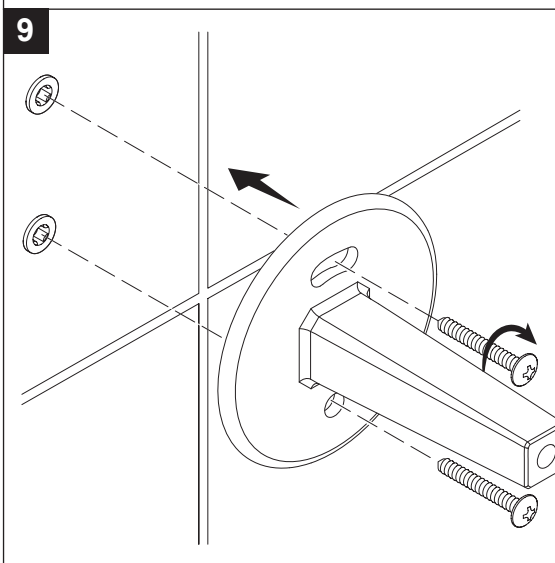
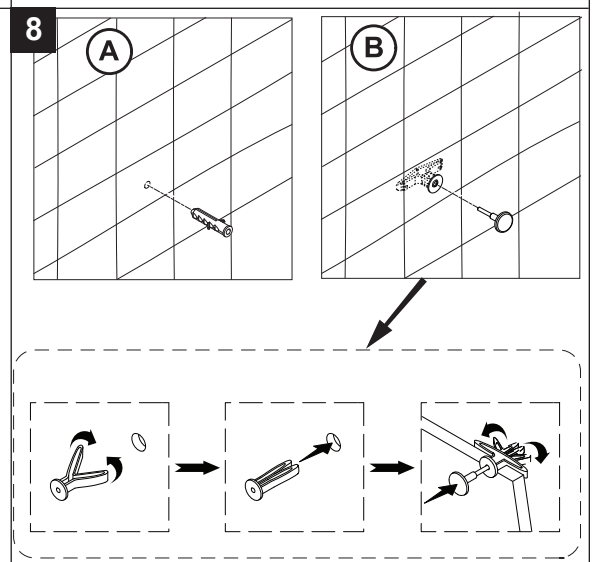
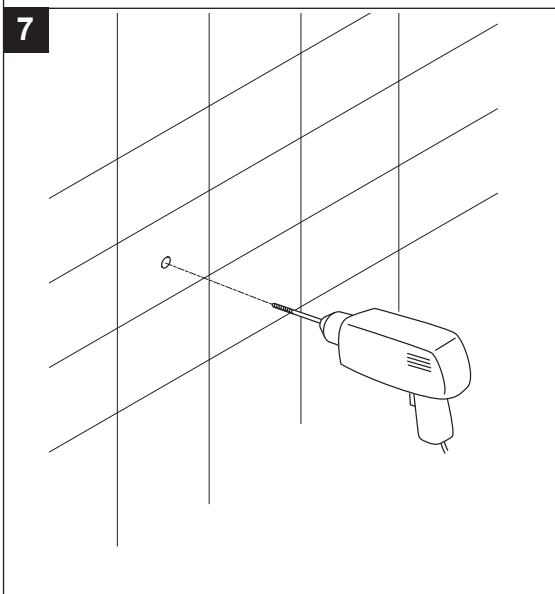
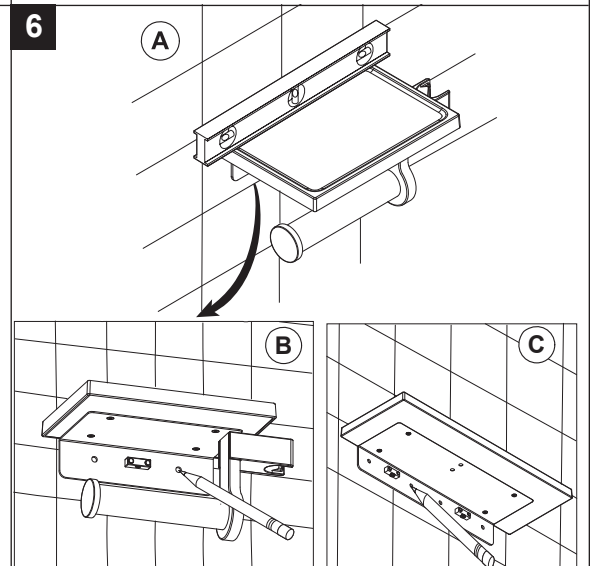
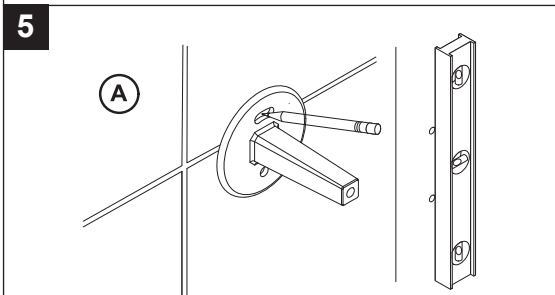
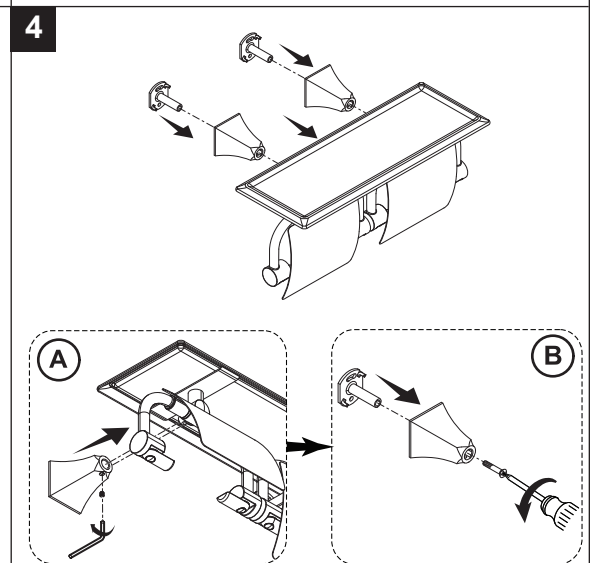
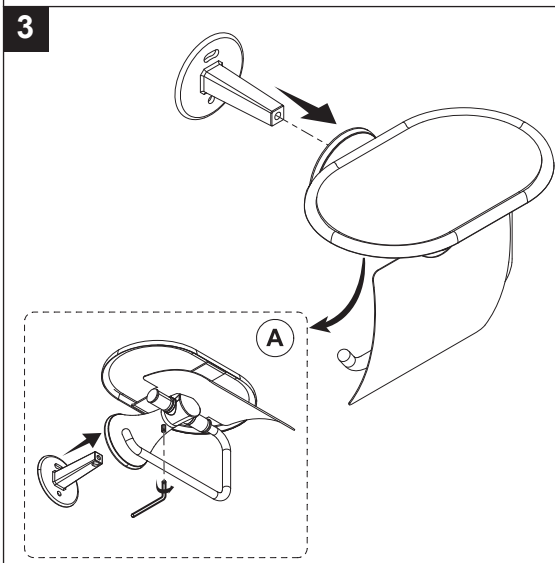
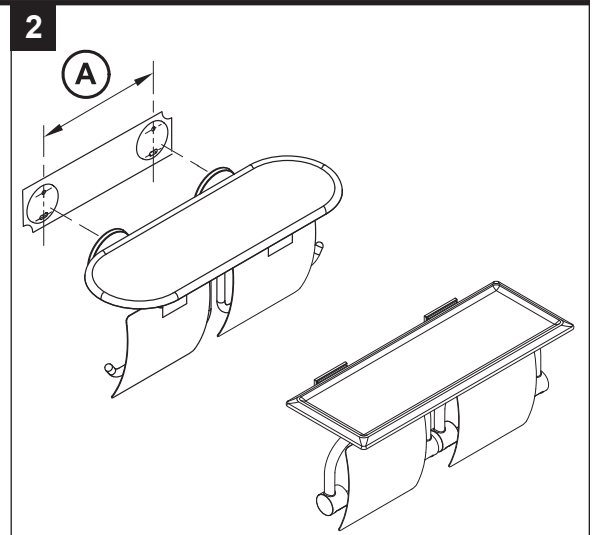
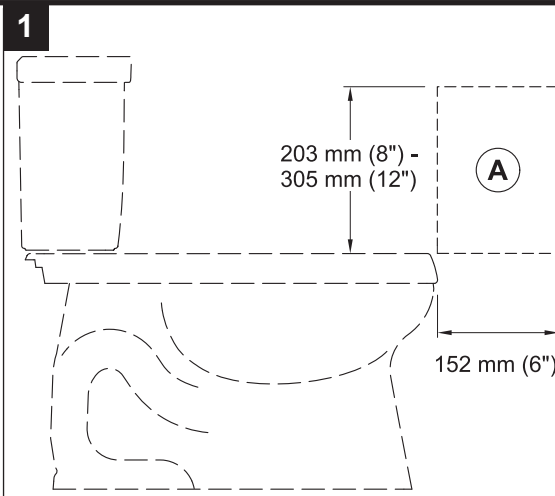
8. 安装到木板墙，则不需要涨塞。

8A. 将涨塞安装到混凝土墙上：将涨塞插入钻孔内并用锤子轻敲直到它与墙壁齐平。

8B. 将蝴蝶涨塞安装到石膏板墙上：握住蝴蝶涨塞并将边缘向内折叠，插入钻孔内，用销钉将其顶开并用锤子轻敲直到它与墙壁齐平。

9. 对于卫生纸架 (K-29233T/K-29234T/K-29235T/K-29236T/K-29249T)，使用附件包内的螺钉将底座固定到墙壁上。

10. 对于卫生纸架 (K-29233T/K-29234T/K-29235T/K-29236T)，将卫生纸架组件安装到底座上，并拧紧固定螺丝。



11A. 对于卫生纸架 (K-29249T), 使用附件包内的装饰盖和销钉。将装饰盖放在支架本体的底部, 然后插入销钉将装饰盖安装到支架本体上。

11B. 将支架本体安装到底座上并拧紧中心处螺钉。

11C. 将卫生纸架组件安装到支架本体上, 并拧紧固定螺丝。

12A. 对于卫生纸架 (K-29237T/K-29246T/K-29247T/K-29248T), 使用附件包内的螺钉, 将卫生纸架组件固定到墙壁上。

12B. 将盖板组件安装到卫生纸架组件上, 并拧紧固定螺丝。

13. 对于卫生纸架 (K-29237T/K-29247T), 用户还可以根据需要去除冲洗器支架。

13A. 取下硅胶盖, 松开螺丝, 卸下冲洗器支架。

13B. 安装附件包内的另一个硅胶盖。

14. 对于卫生纸架易装纸功能 (K-29249T)。

14A. 装纸: 抬起盖板, 将卫生卷筒纸沿水平方向推入。

14B. 换纸: 抬起盖板, 将卫生卷筒芯沿水平方向拉出, 然后安装新的卫生卷筒纸。

尺寸图 单位:毫米.

15. K-29233T-*/K-29234T-*

16. K-29235T-*/K-29236T-*

17. K-29237T-*/K-29247T-*

18. K-29246T-*/K-29248T-*

19. K-29249T-*

清洁和维护

在清洁产品时, 请使用温和的清洗剂, 如液体清洗剂和 温水。请勿使用研磨性的清洁用品或高浓度擦洗剂, 否则 会损坏产品表面或使其失去光泽。

仔细阅读清洗剂的说明书, 以确保该类清洗剂适用于 本产品。

在清洗整个产品前, 请在产品的不显眼处试用该清洗剂。

在使用清洁剂擦洗产品后, 请立即用水擦净并冲洗表面。 同时请擦去溅洒到附近表面的清洁剂。

请使用柔软湿润的海绵或布。请勿使用刷子或百洁布等 磨损性的清洁材料。

需要帮忙? 请联系我们的客户服务中心。

• 科勒 (中国) 投资有限公司

上海市静安区江场三路 158 号 邮编: 200436

• 中国大陆: +(86) 800 820 2628, +(86) 400 820 2628

• www.kohler.com.cn

