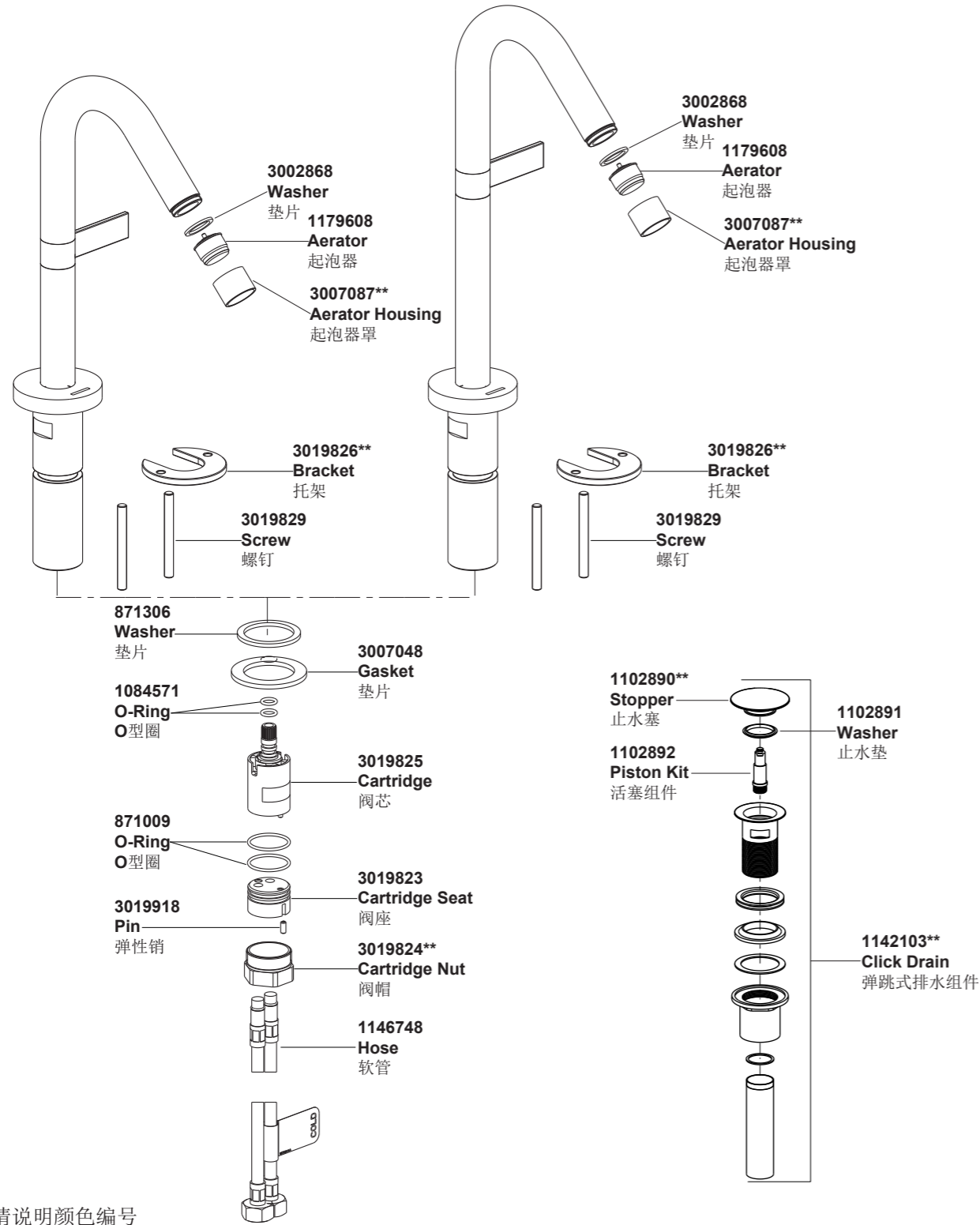


979T-4 单孔脸盆龙头
985T-4 高把单孔脸盆龙头



**订购时请说明颜色编号
**Color code must be specified when ordering

979T-4 单孔脸盆龙头
985T-4 高把单孔脸盆龙头

安装之前

所有的资料是按最新出版的产品资料编写而成。科勒公司保留任何时候不经通知即可改变产品特性、包装或产品可供类型的权利。

说明书包括重要的安装、保养及清洁方面的内容，请把这些资料交给用户阅读。

注意事项：

1. 一定要先彻底冲洗供水管以清除管道中的杂质。
2. 如果是安装新的洗脸盆，可将水龙头和排水组件先装好到洗脸盆上。

BEFORE YOU BEGIN

All information is based on the latest product information available at the time of publication. Kohler Co. reserves the right to make changes in product characteristics, packaging, or availability at any time without notice.

Please leave these instructions for the consumer. They contain important information.

NOTES:

1. Flush the water supply pipes thoroughly to remove debris.
2. For new installations, assemble faucet and drain to lavatory before installing lavatory.

使用说明

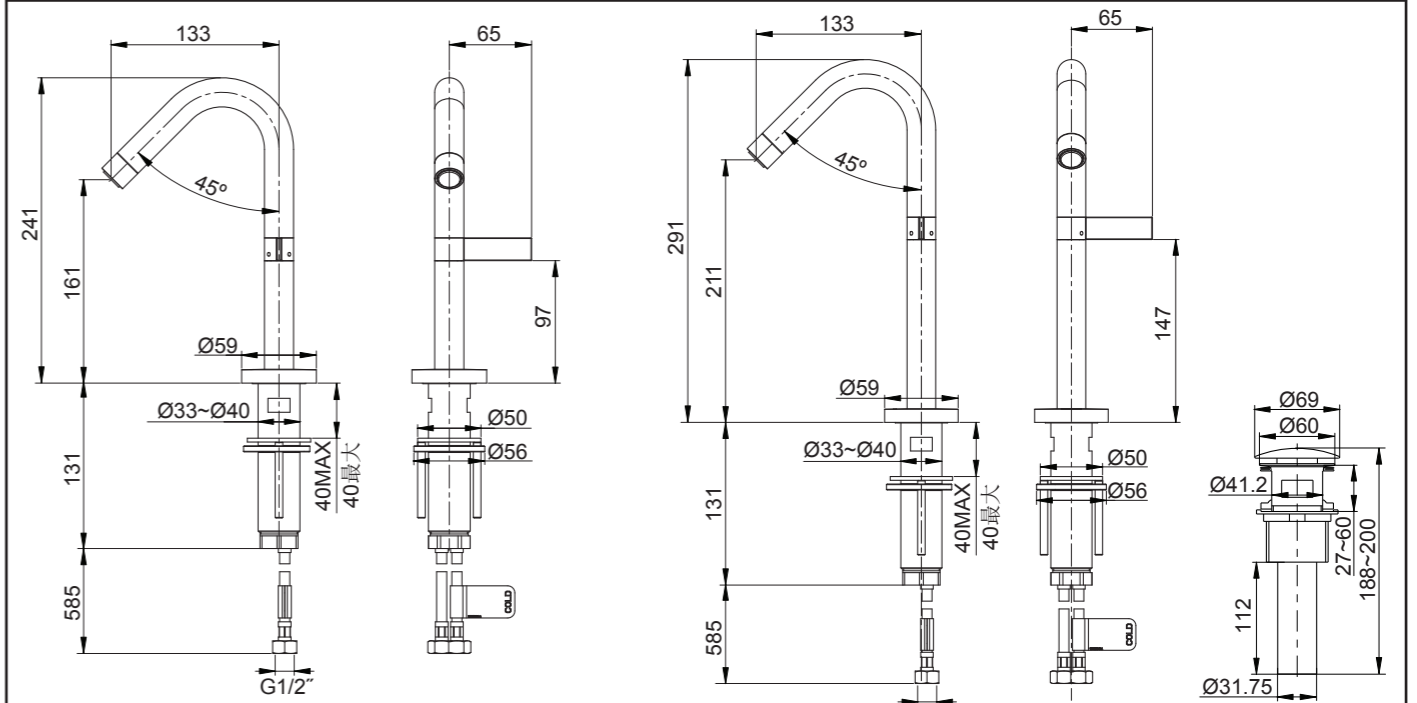
顺时针旋转手柄打开龙头，逆时针旋转手柄关闭龙头。

HANDLE OPERATION

Turn the handle clockwise to open the faucet. Turn the handle counter-clockwise to close the faucet.

安装尺寸

ROUGH-IN DIMENSIONS



979T-4

985T-4

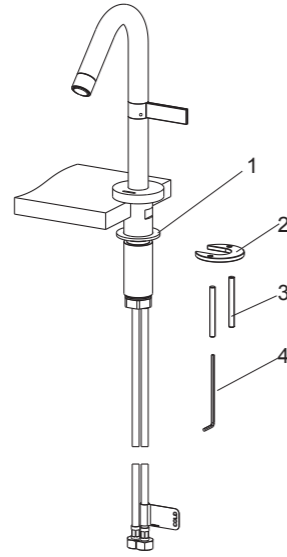
安装步骤

如何安装水龙头

如图所示，将龙头插入脸盆安装孔中。

从脸盆下方将垫片(1)和托架(2)套在牙管上。保持螺杆(3)扳手孔朝下，旋到托架上。调整好水龙头，用六角扳手(4)锁紧螺杆以固定龙头。

把软管接到水源，有“COLD”标志的软管接冷水。



INSTALLATION

How to Install the Faucet

Put the spout kit into the hole of the lavatory as shown.

From underside of the lavatory, install the gasket(1) and bracket(2) to the shank. Keep the wrench holes of the studs(3) facing downwards, thread them onto the bracket. Position the faucet. Secure the faucet by tightening studs with hex wrench(4).

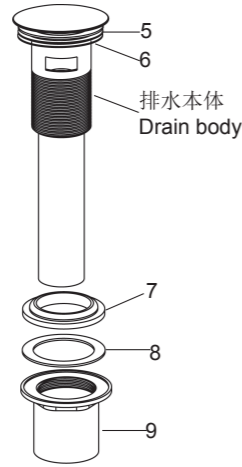
Attach the hoses to water supplies. The hose with "COLD" label connects to cold water.

如何安装排水组件

将锁紧螺母(9)、塑料垫片(8)、橡胶垫圈(7)从排水本体上取下。把排水本体从脸盆上部孔插入。再依次将橡胶垫圈(小面朝上)、塑料垫片和锁紧螺母从排水本体底部装入。锁紧螺母。

注意：如果需要，可直接在排水器法兰(5)底面沿周围涂一圈密封油灰或其它密封剂，而不使用橡胶垫片(6)。

在锁紧螺母拧紧后，不可调整排水本体的位置，否则会破坏油灰或密封剂密封。去除多余的油灰。



How to Install the Drain

Remove the locknut(9), plastic washer(8), rubber gasket(7) from the drain body. Insert the drain body into the lavatory. Reinstall the rubber gasket (tapered side up), plastic washer and locknut back to the drain body in turn. Tighten the locknut.

NOTE: If needed apply a ring of plumbers putty or other sealants around the underside of the drain flange(5), instead of using washer(6).

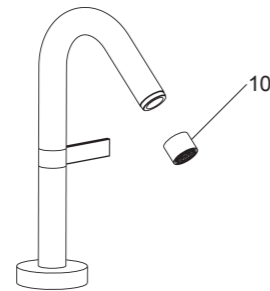
Do not reposition the drain after the locknut is tightened, or you may break the putty or sealant seal. Remove any excess putty.

安装结果检查

检查并确保所有衔接螺母都已拧紧，确保手柄处于关闭位置。

打开排水系统和主要供水源，检查并修理有漏水的接口。

将起泡器组件(10)拆下，打开水龙头，让水流过出水口一分钟以清除杂质。冲洗起泡器，关闭水龙头，重新装回起泡器组件。



INSTALLATION CHECKOUT

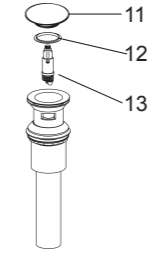
Ensure that all connections are tightened and the handle is in the off position.

Open the drain. Turn on main water supply and check for leaks. Repair as required.

Remove the aerator assembly(10). Turn on the faucet. Run the water through the spout for about one minute to remove any debris. Remove any debris from the aerator. Shut off the faucet and reinstall aerator assembly.

更换止水垫及活塞组件

逆时针旋下止水塞(11)，取出止水垫(12)。更换新的止水垫。逆时针旋下活塞组件(13)，更换新的活塞组件。装回止水垫及止水塞。



Replacing Washer and Piston Kit

Turn counterclockwise to remove the stopper(11). Take out washer(12). Replace with a new one. Turn counterclockwise to remove the piston kit(13). Replace with a new one. Reinstall stopper and washer.

清洗说明

适用于所有加工处理过的表面：以中性肥皂水清洗镀层表面，再以干净的软布彻底擦干整个表面，许多清洁剂，比如氨水、去污粉及洁厕灵等，会对电镀表面造成伤害，切忌使用。

有磨损性的清洁用具或清洁剂也不可用于科勒牌的水龙头及其配件上。

CLEANING INSTRUCTIONS

All Finishes: Clean the finish with mild soap and warm water. Wipe entire surface completely dry with clean soft cloth. Many cleaners may contain chemicals, such as ammonia, chlorine, toilet cleaner etc. which could adversely affect the finish and are not recommended for cleaning.

Do not use abrasive cleaners or solvents on Kohler faucets and fittings.