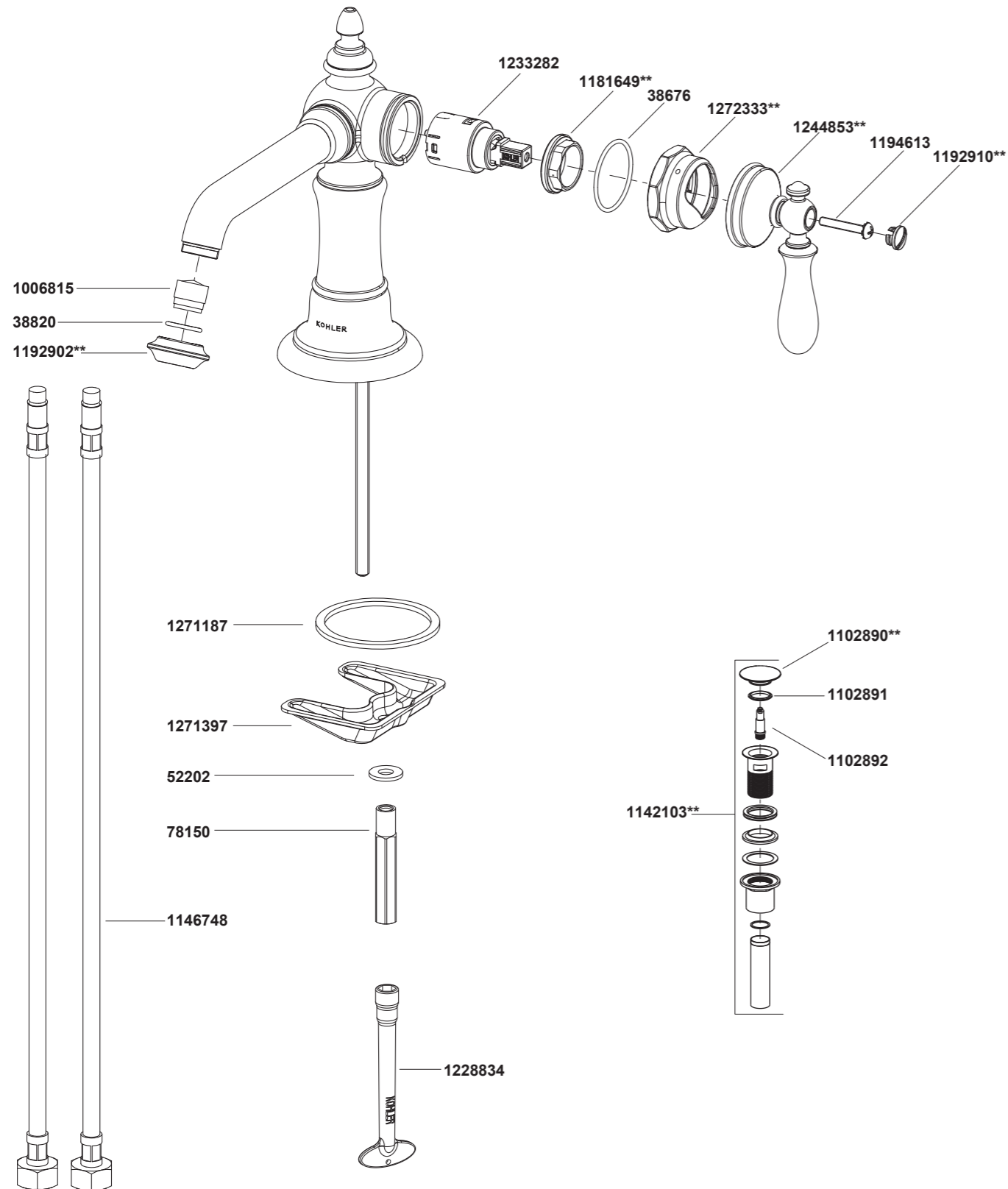


**72762T-9M Single-handle Bathroom Sink Faucet**



\*\*Color code must be specified when ordering.

**NOTE:** For all Asia pacific regions (excluding China) add SP (SPxxxxxx\*\*) in front of the part number when ordering.

**72762T-9M Single-handle Bathroom Sink Faucet**

**BEFORE YOU BEGIN**

All information is based on the latest product information available at the time of publication. Kohler Co. reserves the right to make changes in product characteristics, packaging, or availability at any time without notice.

Please leave these instructions for the consumer. They contain important information.

**NOTES:**

1. Flush the water supply pipes thoroughly to remove debris.
2. Inspect the supply tubing for damage and leakage. Replace and maintain as necessary.
3. Observe local plumbing codes.
4. If possible, install this faucet before installing the lavatory.
5. Shut off the water supplies to the fitting.

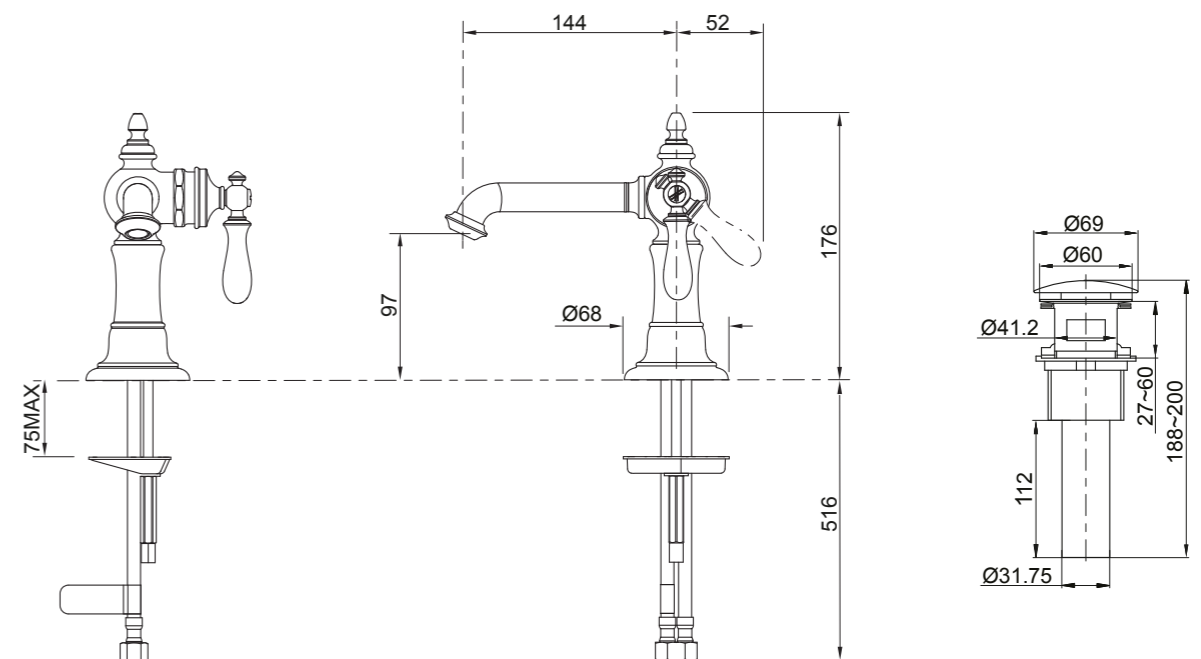
**HANDLE OPERATION**

Lift handle gently. Turn clockwise for hot water, counter-clockwise for cold water.

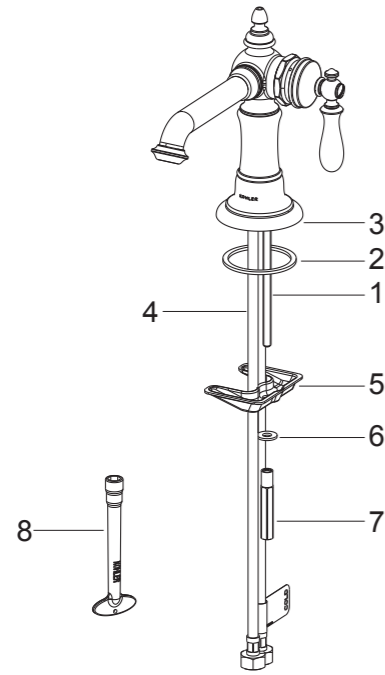
**STANDARD APPLICABLE**

Special model meets or exceeds the following at date of manufacture: TIS

**ROUGH-IN DIMENSIONS**



## INSTALLATION



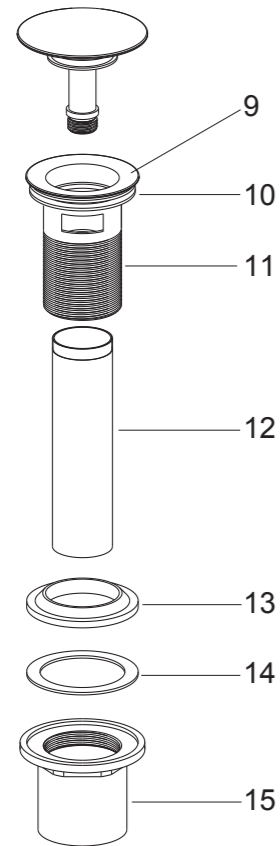
### How to Install the Spout

Install the washer(2) into the bottom of faucet(3). Insert hoses(4) and stud(1) into the hole of lavatory.

From underside of the lavatory, fit the bracket(5) onto the stud. Position the faucet. Install the washer(6) and nut(7) onto the stud, tighten the nut by tool(8) to secure the faucet.

Attach the hoses to water supplies, the hose with "COLD" label connects to cold water.

### How to Install the Drain



Remove the locknut(15), plastic washer(14) and the rubber gasket(13) and tailpiece(12) from the drain body(11).

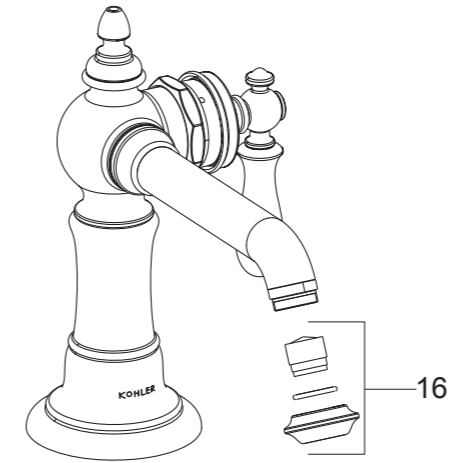
Supply enough tape or sealant to tailpiece thread. Reinstall the tailpiece.

Insert the drain body into the lavatory. Install the rubber gasket(Tapered side up), plastic washer and locknut back to the drain body in turn. Tighten the locknut.

**NOTE:** If needed, apply a ring of plumbers putty or other sealants around the underside of the drain flange(9), instead of using rubber washer(10).

Do not reposition the drain after the locknut is tightened, or you may break the putty or sealant seal. Remove any excess putty.

## INSTALLATION CHECKOUT



Ensure that all coupling nuts are tight. Ensure that the lever handle is in the off position.

Turn on the main water supply and drain, and check for leaks. Repair as needed.

Remove the aerator kit(16) by hand. Run hot and cold water through faucet for about one minute to remove any debris. Check for leaks. Repair as needed. Remove any debris from the aerator. Shut off the faucet. Reinstall the aerator.

## CLEANING INSTRUCTIONS

All Finishes: Clean the finish with mild soap and warm water. Wipe entire surface completely dry with clean soft cloth. Many cleaners may contain chemicals, such as ammonia, chlorine, toilet cleaner etc, which could adversely affect the finish and are not recommended for cleaning.

Do not use abrasive cleaners or solvents on Kohler faucets and fittings.