

26088T-NA 单把墙出水脸盆龙头阀芯 6P

安装之前

所有的资料是按最新出版的产品资料编写而成。科勒公司保留任何时候不经通知即可改变产品特性、包装或产品可供类型的权利。

说明书包括重要的安装、保养及清洁方面的内容，请把这些资料交给用户阅读。

注意事项：

1. 一定要先彻底冲洗供水管以清除管道中的杂质。
2. 检查供水管有无损坏和漏水。如需要，进行替换和维修。
3. 遵守当地管路安装条例。
4. 埋墙前测试安装连接部位是否有渗漏，根据需要修理之。
5. 本产品只接受水压测试，且测试前需先排空管路及龙头之间的空气。测试水压不超过0.8MPa(8bar)，时间不超过30分钟。

BEFORE YOU BEGIN

All information is based on the latest product information available at the time of publication. Kohler Co. reserves the right to make changes in product characteristics, packaging, or availability at any time without notice.

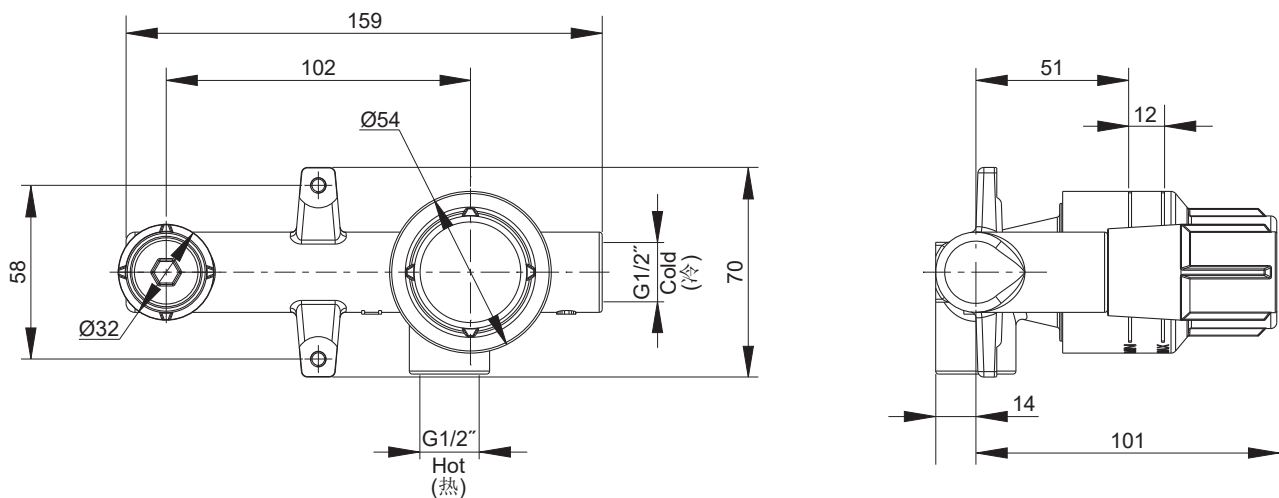
Please leave these instructions for the consumer. They contain important information.

NOTES:

1. Flush the water supply pipes thoroughly to remove debris.
2. Inspect the supply tubing for damage and leakage. Replace and maintain as necessary.
3. Observe local plumbing codes.
4. Check for leaks before covering the pipes, repairs as needed.
5. Please ensure only apply water pressure test on the product, and empty the air in pipe and faucet thoroughly before the test. Please ensure test pressure below 0.8MPa(8bar) and test duration within 30 minutes.

安装尺寸

ROUGH-IN DIMENSIONS



安装步骤

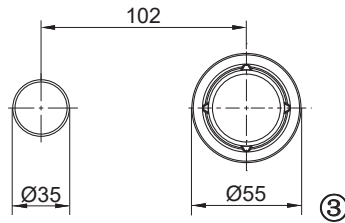
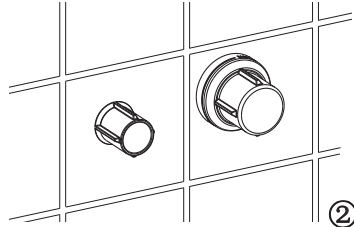
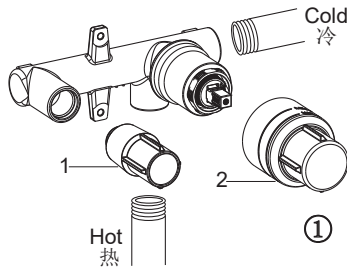
选择合适的高度安装阀体。在墙上开一合适的孔。将阀体埋入墙体中，确保保护套(1, 2)朝前。

注意：安装时保证阀轴线方向与墙面垂直，阀体上平面水平。

如图①所示，将冷热供水管接到阀体上。热水管接底部进水端(带有“H”标记)，冷水管接右侧进水端(带有“C”标记)。

如图②所示，装修好的外墙面应处于保护套(2)上的MAX与MIN标记之间。墙面开孔尺寸如图③所示。

安装过程中，为了保护阀体，保护套留在阀体上。



INSTALLATION

Determine where the valve will be located on the wall. Dig a suitable hole in the wall. Install the valve into the hole. Make sure the protectors(1, 2) faces front.

NOTE: Ensure the centerline of valve is vertical to the wall, the up plane of valve is horizontal.

Connect hot and cold supplies to the inlets of the valve as figure 1 shown. Connect hot supply to the bottom inlet with the “H” mark. Connect cold supply to the right inlet with the “C” mark.

As figure 2 shown, the outer surface of the finished wall should be between the MAX and MIN marks on the protector(2). The size of opening in finished wall as figure 3 shown.

During installation, the protectors remain on the valve.

清洗说明

适用于所有加工处理过的表面：以中性肥皂水清洗镀层表面，再以干净的软布彻底擦干整个表面，许多清洁剂，比如氨水、去污粉及洁厕灵等，会对电镀表面造成伤害，切忌使用。

有磨损性的清洁用具或清洁剂也不可适用于科勒牌的水龙头及其配件上。

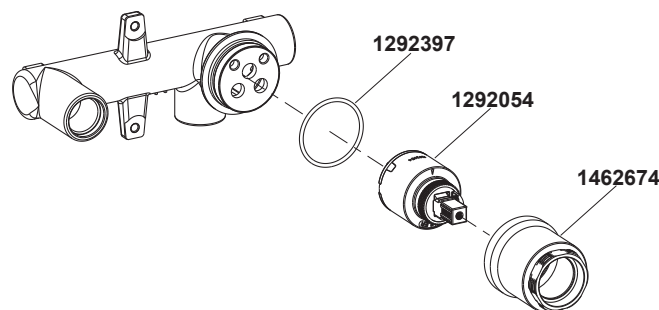
CLEANING INSTRUCTIONS

All Finishes: Clean the finish with mild soap and warm water. Wipe entire surface completely dry with clean soft cloth. Many cleaners may contain chemicals, such as ammonia, chlorine, toilet cleaner etc. which could adversely affect the finish and are not recommended for cleaning.

Do not use abrasive cleaners or solvents on Kohler faucets and fittings.

零件图

SERVICE PARTS



**订购时请说明颜色编号

**Color code must be specified when ordering