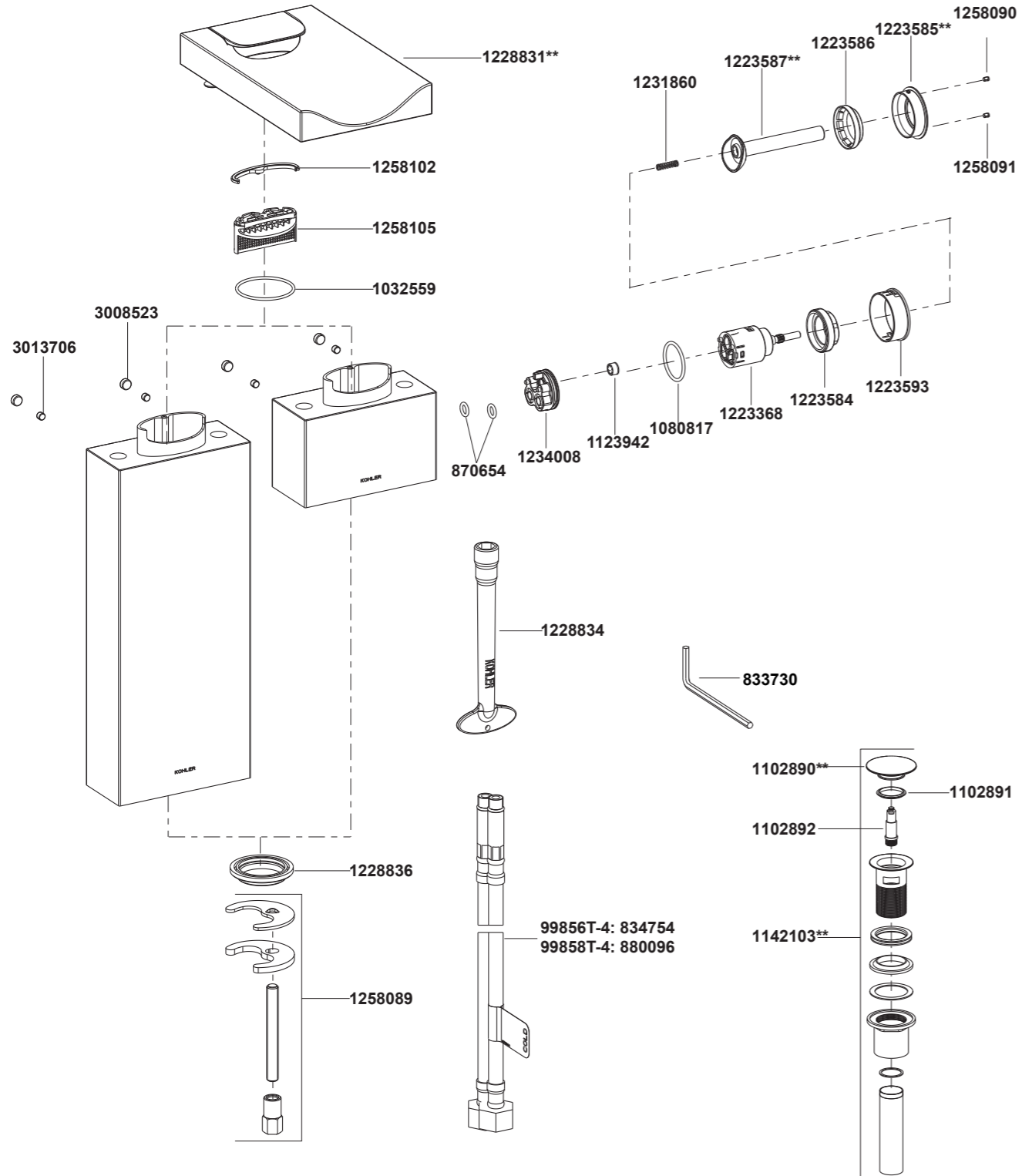


99856T-4 Single Handle Lavatory Faucet
99858T-4 Single Handle Tall Lavatory Faucet



**Color code must be specified when ordering.

99856T-4 Single Handle Lavatory Faucet
99858T-4 Single Handle Tall Lavatory Faucet

BEFORE YOU BEGIN

All information is based on the latest product information available at the time of publication. Kohler Co. reserves the right to make changes in product characteristics, packaging, or availability at any time without notice.

Please leave these instructions for the consumer. They contain important information.

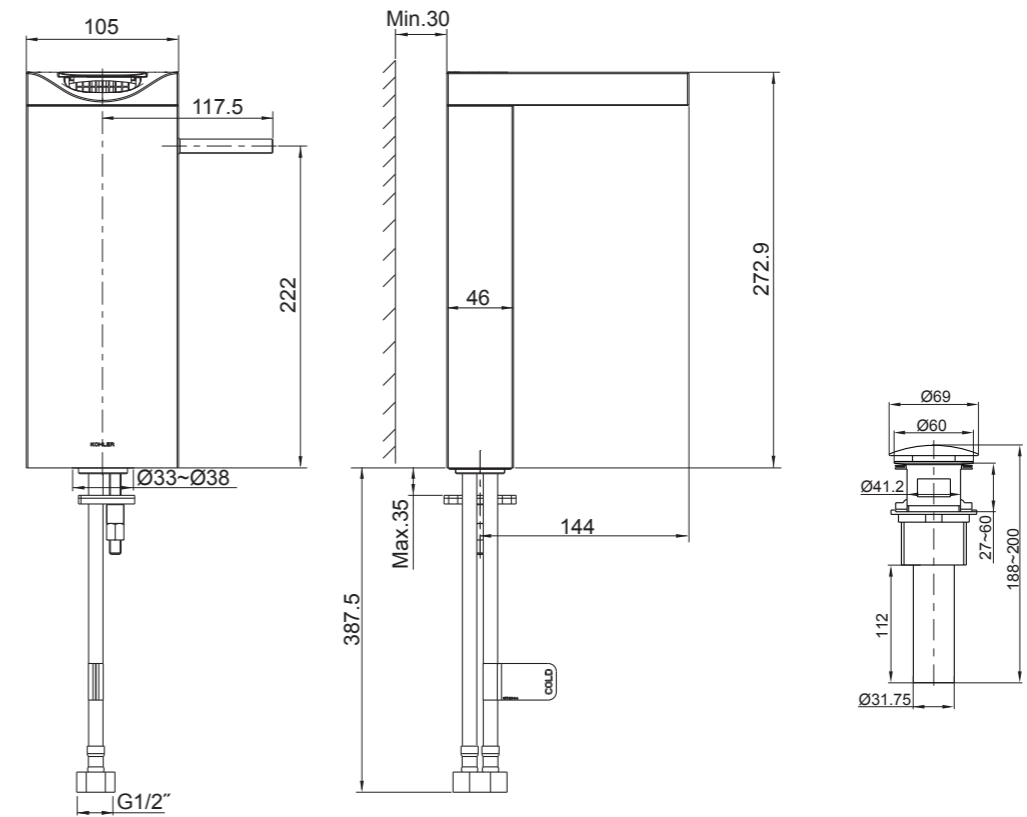
NOTES:

1. Flush the water supply pipes thoroughly to remove debris.
2. If possible, install this faucet before installing the lavatory.
3. Inspect the supply tubing for damage and leakage. Replace and maintain as necessary.
4. Observe local plumbing codes.
5. Shut off the water supplies to the fitting.

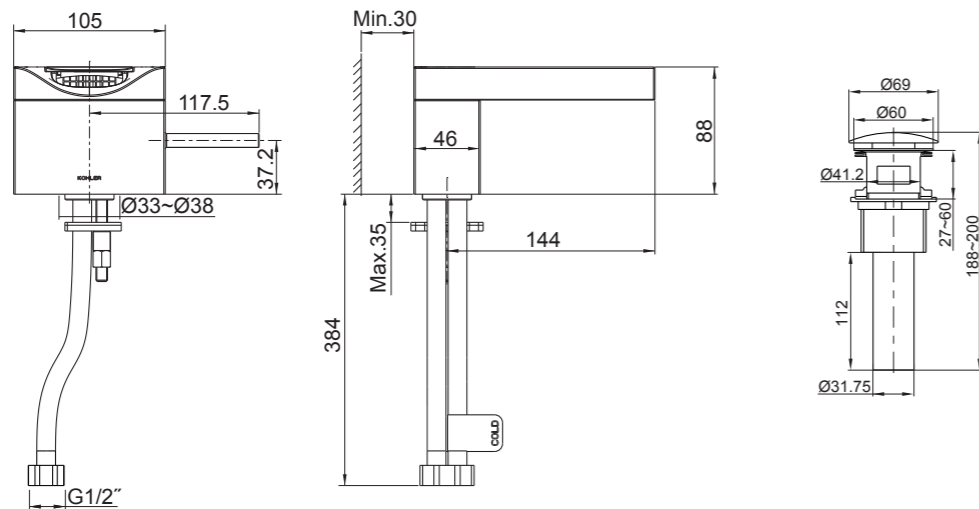
HANDLE OPERATION

Lift handle gently. Turn clockwise for cold water, turn counter-clockwise for hot water.

ROUGH-IN DIMENSIONS

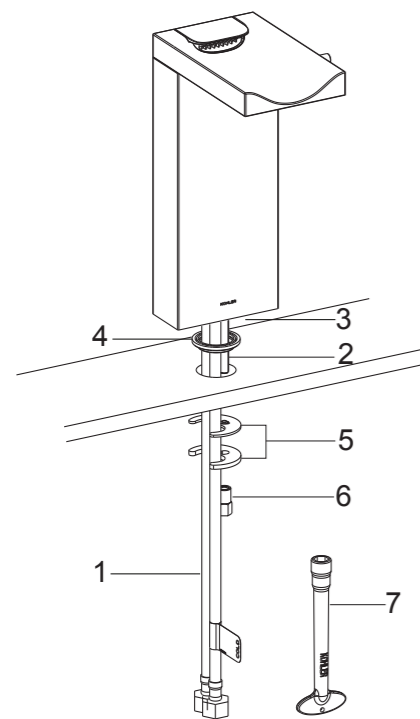


99858T-4



99856T-4

INSTALLATION

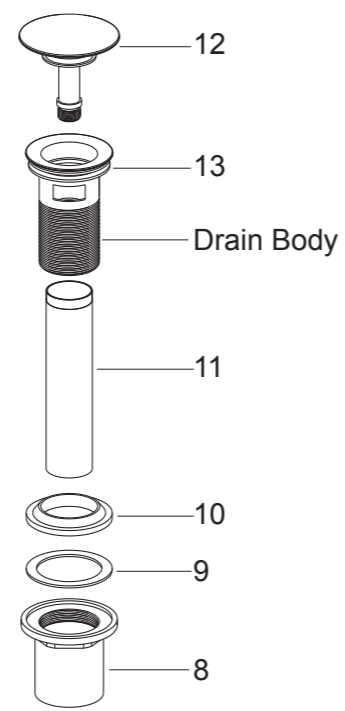


How to Install the Faucet

Install the mounting stud(2) into the faucet body base(3). Install the washer(4) into the groove at the bottom of the faucet body.

Insert the faucet assembly into the lavatory hole. Position the faucet. From underside of the lavatory, place the bracket(5, Rubber washer is on the top) onto the mounting stud, and secure the faucet with the nut(6) by tool(7).

Attach the hoses(1) to water supplies, the hose with "COLD" label connects to cold water.



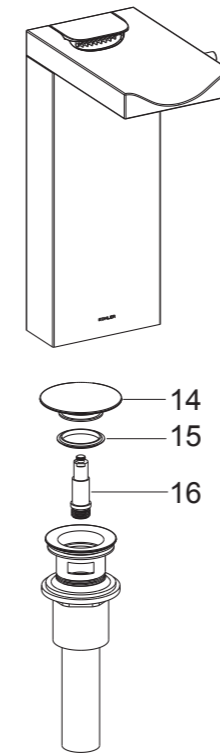
How to Install the Drain

Remove the locknut(8), plastic washer(9), rubber gasket(10) and tailpiece(11) from the drain body. Supply enough tape or sealant to tailpiece thread. Reinstall the tailpiece. Insert the drain body into the lavatory. Install the rubber gasket (Tapered side up), plastic washer and locknut back to the drain body in turn. Tighten the locknut.

NOTE: If needed, apply a ring of plumbers putty or other sealants around the underside of the drain flange(12), instead of using rubber washer(13).

Do not reposition the drain after the locknut is tightened, or you may break the putty or sealant seal.

INSTALLATION CHECKOUT



Ensure that all connections are tight. Ensure that the handle is in the off position.

Turn on the drain and main water supply, and check for leaks. Repair as needed.

Replacing the Washer and Piston Kit

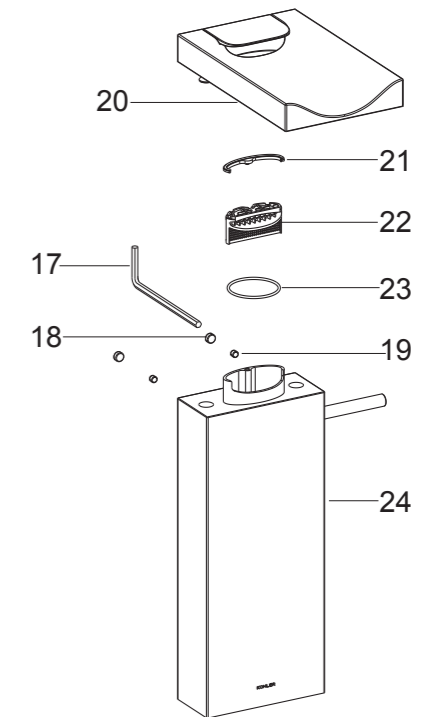
Turn counter-clockwise to remove the stopper(14). Take out washer(15). Replace with a new one. Turn counter-clockwise to remove the piston kit(16). Replace with a new one. Reinstall stopper and washer.

CLEANING INSTRUCTIONS

All Finishes: Clean the finish with mild soap and warm water. Wipe entire surface completely dry with clean soft cloth. Many cleaners may contain chemicals, such as ammonia, chlorine, toilet cleaner etc, which could adversely affect the finish and are not recommended for cleaning.

Do not use abrasive cleaners or solvents on Kohler faucets and fittings.

CARE AND MAINTENANCE



Clean Rectifier

If there is a lot of debris in the supply pipes or the quality of water is bad, it will cause the flow in bad condition. Please clean the filter as following steps:

Turn off the faucet. Take out the plugs(18), remove the screws(19) with hex wrench(17). Uninstall the spout(20) from body(24). Remove the flange(21), rectifier(22) and O-ring(23).

Flush the filter of rectifier. Check the filter whether is intact, if damaged replace it.

Reassemble the spout and body: put the O-ring, rectifier and flange into the original position. Install the spout onto body and tighten the screws. Insert the plugs.