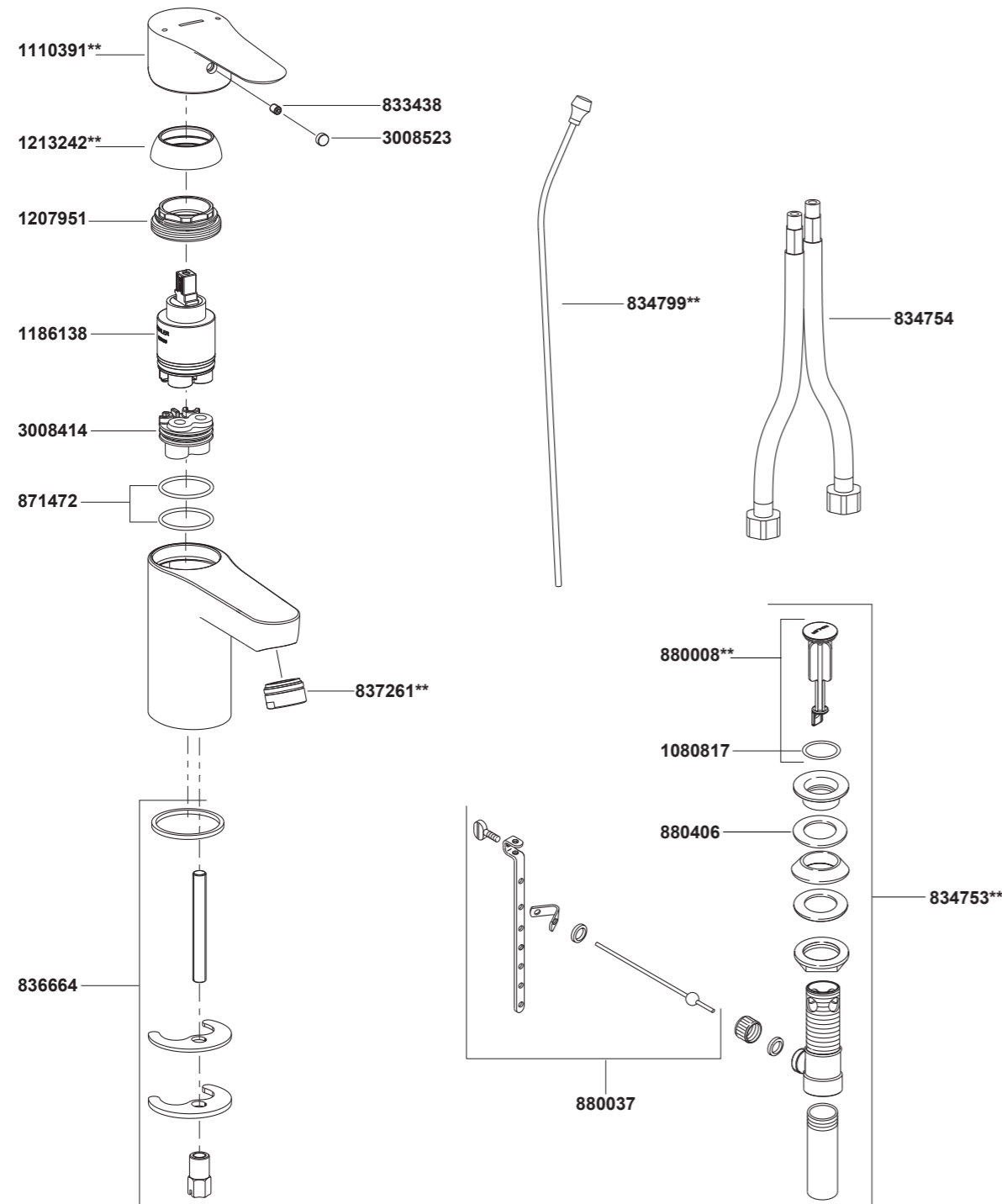


### 16027T-B4 Single Handle Lavatory Faucet



\*\*Color code must be specified when ordering

### 16027T-B4 Single Handle Lavatory Faucet

#### BEFORE YOU BEGIN

All information is based on the latest product information available at the time of publication. Kohler Co. reserves the right to make changes in product characteristics, packaging, or availability at any time without notice.

Please leave these instructions for the consumer. They contain important information.

#### NOTES:

1. Flush the water supply pipes thoroughly to remove debris.
2. If possible, install this faucet before installing the lavatory.
3. Inspect the supply tubing for damage and leakage. Replace and maintain as necessary.
4. Observe local plumbing codes.
5. Shut off the water supplies to the fitting.

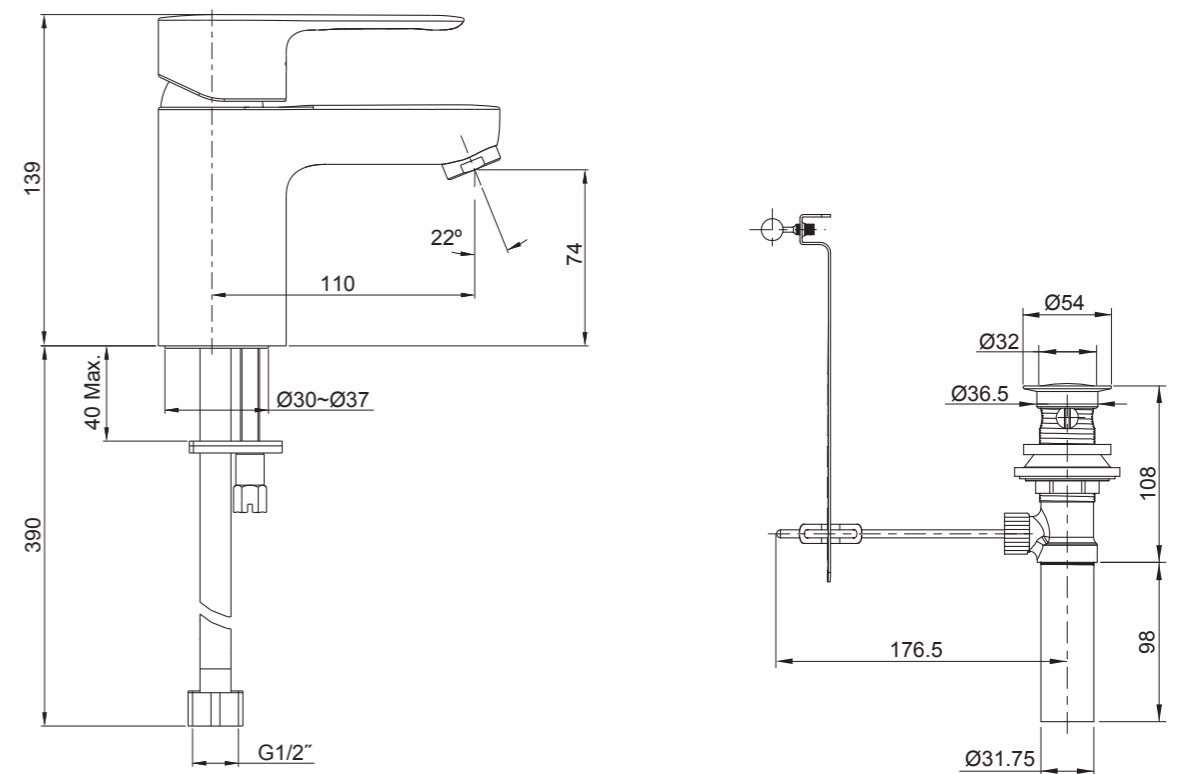
#### HANDLE OPERATION

Lift handle gently. Turn clockwise for hot water, turn counter-clockwise for cold water.

#### STANDARD APPLICABLE

Special model meets or exceeds the following at date of manufacture: TIS

#### ROUGH-IN DIMENSIONS



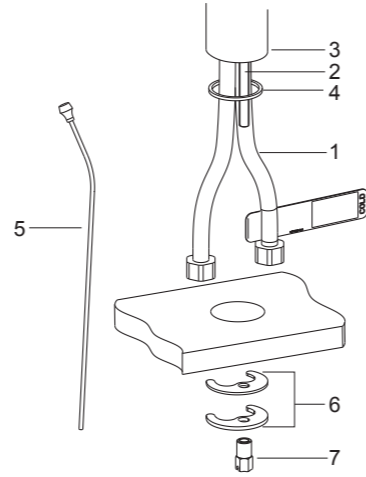
## INSTALLATION

### How To Install The Spout

Install the mounting stud(2) onto the faucet body base(3). Insert lift rod(5) to the hole at the rear of the body. Slide the washer(4) over the flexible hoses(1) and mounting stud, and into the groove at the bottom of the faucet body.

Insert the faucet assembly into the lavatory hole. Position the faucet. From underside of the lavatory, place the bracket(6, Rubber washer is on the top) onto the mounting stud, and secure the faucet with the nut(7).

Attach the hoses to water supplies. When facing front of the faucet, the left hose connects to hot water, the right hose with 'COLD' label connects to cold water.



### How To Install The Drain

Remove stopper(14), flange(8) and washer(10) from drain body(9). Take off the tailpiece(11). Apply thread tape to tailpiece and install the tailpiece to drain body. Insert drain body kit into the lavatory from underside, and make sure the drain lever hole(12) facing to the back of the lavatory. Screw the flange with washer into the drain body. Tighten the locknut(13) by hand from the underside of the fixture.

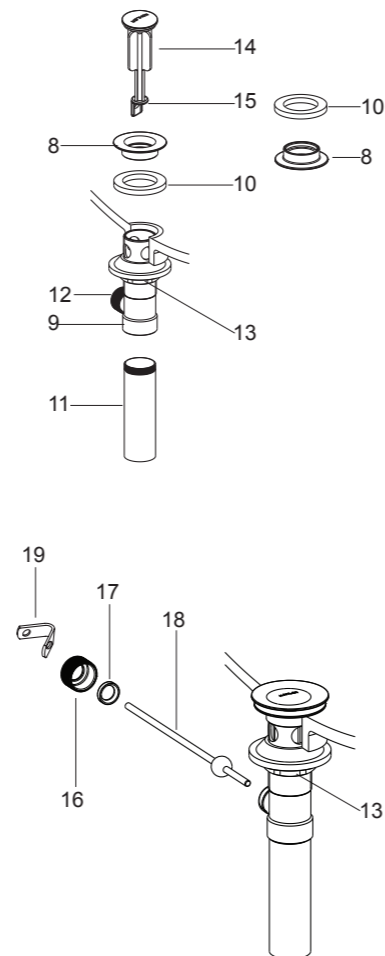
**NOTE:** If needed, apply a ring of plumbers putty around the underside of the drain flange(8), instead of using washer(10).

Place stopper(14) into drain body aligning the flat side of stopper hole(15) with the drain lever hole.

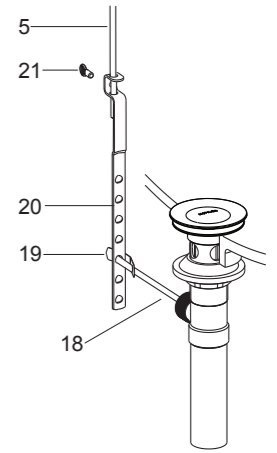
Remove the retaining nut(16). Fit the plastic washer(17) and retaining nut onto the ball lever(18). Insert the ball lever assembly into the drain lever hole and through the stopper hole. Tighten the retaining nut.

Be sure that the ball lever(18) points to the back of the lavatory, tighten the locknut(13) on the drain body by wrench.

**NOTE:** Do not reposition the drain if plumbers putty applied after the locknut is tightened, or you may break the putty seal. Wipe away excess plumbers putty.



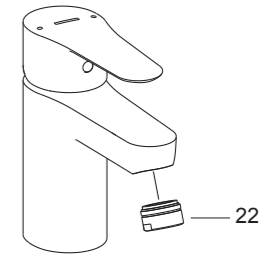
Assemble thumb screw(21) to link(20), and link onto ball lever(18) with 'V'-clip (19). Slide lift rod(5) into the hole in link. Push the ball lever down into the open position, and adjust the lift rod. Tighten thumb screw(21).



### INSTALLATION CHECKOUT

Ensure that all connections are tight. Ensure that the handle is in the off position. Turn on the drain and main water supply, and check for leaks. Repair as needed.

Remove the aerator kit(22). Turn on the faucet. Run hot and cold water through the faucet for about one minute to remove any debris. Check for leaks. Repair as needed. Remove any debris from the aerator kit. Shut off the faucet. Reinstall the aerator kit.



### CLEANING INSTRUCTIONS

All Finishes: Clean the finish with mild soap and warm water. Wipe entire surface completely dry with clean soft cloth. Many cleaners may contain chemicals, such as ammonia, chlorine, toilet cleaner etc, which could adversely affect the finish and are not recommended for cleaning.

Do not use abrasive cleaners or solvents on Kohler faucets and fittings.